



CE ACS WRAS IAF



## 池州市日升阀门管件制造有限公司

CHIZHOU SUN RISING VALVE&PIPE FITTING CO.,LTD  
CHIZHOU SUN RISING VALVES CO.,LTD

### 总部

地址：中国安徽池州市和泰里城4区307室

### 工厂

地址：中国安徽池州市青阳县新河工业园

电话：+86-566-2049198 / 5755687

传真：+86-566-2094199 / 5755689

邮箱：sunrising@dinvalve.com.cn

dinvalve@dinvalve.com.cn

网址：http://china.dinvalve.com.cn

### HEAD OFFICE

ADD: Room 307, 4 zone, Hetai zongcheng, Chizhou, Anhui, China.

### FACTORY

ADD: Xinhe Industrial Zone Qingyang, Chizhou, Anhui, China.

Tel: +86-566-2049198 / 5755687

Fax: +86-566-2094199 / 5755689

email: sunrising@dinvalve.com.cn

dinvalve@dinvalve.com.cn

Web: http://www.dinvalve.com.cn

http://www.zpsv.com



中文网站二维码



English Website QR code

中国·池州  
CHIZHOU CHINA



## B 企业简介 rief Introduction >>>

池州市日升阀门管件制造有限公司位于安徽省池州市青阳县新河工业园区，邻近风景秀丽的黄山和佛教圣地九华山。

本公司为工贸一体的阀门管件生产企业，专业设计、研发、生产、销售、出口各种铸铁阀门及阀门配件。生产历史悠久、产品标准齐全、技术力量雄厚、检测设备先进、国际质量体系完善、产品质量稳定可靠。

公司目前已经获得ISO9001-2015国际质量体系认证、欧盟CE产品认证、英国WRAS产品认证、法国ACS产品认证、饮用水无毒证明、外观设计专利证书、实用新型专利证书、RZT商标证书、安全生产标准化证书，并通过环评和职业卫生健康验收。

公司主要生产德标、美标、英标等各类铸铁低压阀门；主要产品有：闸阀、截止阀、止回阀、过滤器、蝶阀、球阀、空气阀、管件等；主要密封有：弹性密封和金属密封；口径：DN40-DN600；材质：灰铸铁和球铁。产品广泛用于化工、油田、矿山、建筑、供水等行业，远销世界各地，在国际市场享有良好的信誉，深受用户好评。

CHIZHOU SUN RISING VALVE & PIPE FITTING CO., LTD. located in Xinhe Industrial Zone, Anhui Province, is an enterprise integrating industry and trade in manufacturing valve and pipe fitting.

We specialize in designing, researching and developing, manufacturing, selling and exporting various kinds of cast iron and ductile iron valves. Our company has a long history to produce valves with strong technical force and complete sets of advanced equipments to inspect valves. We have got ISO9001-2015, CE certificate, WRAS certificate, ACS certificate, Design Patent Certificate, Utility Model Patent Certificate, RZT Trade Mark Certificate and Work Safety Standardization Certificate.

We can manufacture various cast iron low-pressure valves according to BS, ANSI, AWWA, DIN, UNI, SABS standards, major products include gate valve, globe valve, check valve, Y strainer, butterfly valve, ball valve and air valve with resilient seal and metal seal and pipe fittings, their size is from DN40 to DN600 and their material is cast iron and ductile iron. They are widely used in chemical industry, oil field, mining industry, building industry, water supply. They have been exported to many countries in the world.

We enjoy a good reputation in the international market and high praise from our customers. We believe we can provide you with high-quality products and excellent service. We are looking forward to your inquiring and visiting.



## P 生产车间 roduction Workshop >>>



## E 企业证书 nterprise Certificate >>>





# Contents

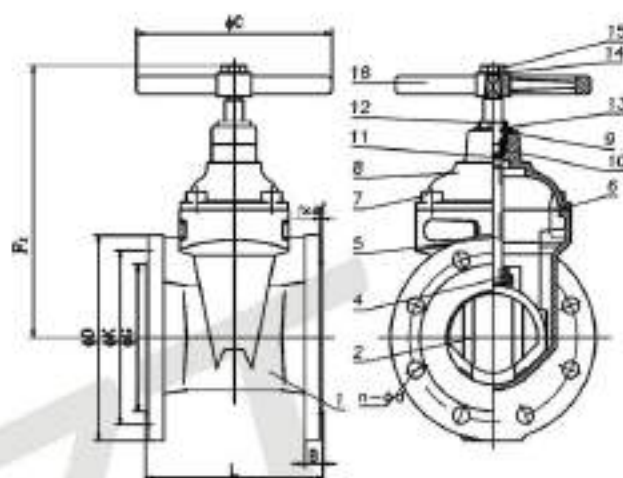
<p>Resilient seat gate valve</p> <p>05-10</p> 	<p>Resilient seat gate valve</p> <p>11-14</p> 	<p>Rising stem gate valve</p> <p>15</p> 	<p>Metal-seated gate valve</p> <p>16</p> 	<p>Check valve</p> <p>17-20</p> 	<p>Air valve</p> <p>21-26</p> 
<p>Butterfly valve</p> <p>27-28</p> 	<p>Flap/Ball valve</p> <p>29-30</p> 	<p>Strainer</p> <p>31-33</p> 	<p>Foot valve</p> <p>34</p> 	<p>Hydrant</p> <p>35-36</p> 	<p>Pipe fitting</p> <p>37-46</p> 



## Gate Valve Series

RZT Resilient seated gate valve

F4/F5 PN10/PN16/DN40-DN600



### MATERIALS OF PARTS

Item	Part name	Material
1	Body	GGG50
2	Disc	GGG50+EPDM
3	Wedge disc	GGG50
4	Disc nut	Brass BS2872/2874
5	Stem	X20Cr13
6	Gasket	EPDM Bs2494
7	Bolt	Galvanized steel BS1769
8	Bonnet	GGG50
9	Gasket	PTFE or nly Bs2494
10	Holdring	Brass BS2872/2874
11	O ring	NBR Bs2494
12	Dust ring	EPDM Bs2494
13	Brass nut	Brass BS2874/2874
14	Gasket	A2-70
15	Screw	A2-70
16	Handwheel	Carbun steel BS1769

### TECHNICAL SPECIFICATIONS

- Design ,manufacture conforms to EN1171/EB1074
- Face to face dimension of DIN3202-F4/F5
- Flange drilled conforms to EN1092-2

Working pressure	Pn10	Pn16
Shell pressure	16Bars	24Bars
Seat pressure	11Bars	17.6Bars
Working temperature	-20~80°C	

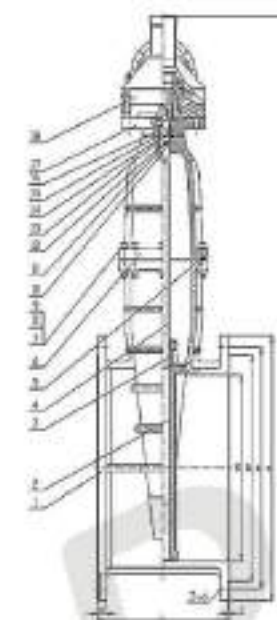
### DIMENSIONS ASTE (mm)

DN	L		O	K30		G30		H32	H-Φg22		f	H	Hw	Turn
	F4	F5		F10	F16	F10	F16		F16	F16				
40	140	240	150	110	110	86	86	19	4-Φ19	4-Φ19	3	210	30	6.5
50	150	250	165	125	125	98	98	19	4-Φ19	4-Φ19	3	210	35	7
65	170	270	185	145	145	118	118	19	4-Φ19	4-Φ19	3	225	35	9
80	180	290	200	160	160	133	133	19	8-Φ19	8-Φ19	3	264	40	11
100	190	300	220	180	180	153	153	19	8-Φ19	8-Φ19	3	294	50	13.5
125	200	325	250	210	210	164	164	19	8-Φ19	8-Φ19	3	344	60	11
150	210	350	285	240	240	208	208	19	8-Φ23	8-Φ23	3	389	70	13
200	230	400	340	295	295	265	265	20	8-Φ23	12-Φ23	3	481	120	17
250	250	450	405	350	355	316	316	22	12-Φ23	12-Φ28	3	559	150	21
300	270	500	480	400	410	364	367	24.5	12-Φ23	12-Φ28	3	655	160	25
350	290	550	520	450	470	422	425	26.5	16-Φ23	16-Φ28	3	751	200	29
400	310	600	580	515	525	472	474	28	16-Φ28	16-Φ31	4	927	250	33
450	330	650	640	565	585	523	540	30	20-Φ28	20-Φ31	4	1020	420	37.5
500	350	700	715	620	650	576	598	31.5	20-Φ28	20-Φ34	4	1114	350	41.5
600	390	800	840	725	770	682	710	35	20-Φ30	20-Φ37	4	1450	400	50

## Gate Valve Series

RZT Resilient seated gate valve

F4/F5 PN10/PN16/DN700-DN1400



### TECHNICAL SPECIFICATIONS

- Design to DIN3352;
- Flange& drilling to EN1092;
- Face to face DIN3202 F4/F5;
- Test& inspection to EN12288;

### MATERIALS OF PARTS

Item	Part name	Material	Remarks
1	Body	Ductile iron	GGG50
2	Wedge	Ductile iron+EPDM	GGG50+EPDM
3	Stem nut	Brass	
4	Stem	Stainless steel	SS420
5	Gasket	EPDM	
6	Bonnet	Ductile iron	GGG50
7	Bonnet bolt	Carbon steel	
8	Washer	Carbon steel	
9	Nut	Carbon steel	
10	O-ring	NBR	
11	Locating ring	Brass	
12	Minipad	TPL	
13	O-ring	NBR	
14	O-ring	NBR	
15	Seal ring	Brass	
16	Dust ring	NBR	
17	Gland	Ductile iron	GGG50
18	Gear.op	Component	

Working pressure	Pn10	Pn16
Shell pressure	16Bars	24Bars
Seat pressure	11Bars	17.6Bars
Working temperature	-20~80°C	

### DIMENSIONS ASTE (mm)

DN	O	D1	D2	H	L		h	f	Z-D
					F4	F5			
Φ700	Φ928	Φ840	Φ794	1890	430	900	39.5	5	24-Φ37
Φ800	Φ1034	Φ950	Φ901	1950	470	1000	43	5	24-Φ40
Φ900	Φ1125	Φ1050	Φ1001	2110	510	1100	46.5	5	28-Φ40
Φ1000	Φ1255	Φ1170	Φ1116	2300	550	1200	56	5	28-Φ43
Φ1200	Φ1485	Φ1390	Φ1330	2680	630	1400	62	5	32-Φ48
Φ1400	Φ1685	Φ1590	Φ1530	2970	710	-	68	5	35-Φ48

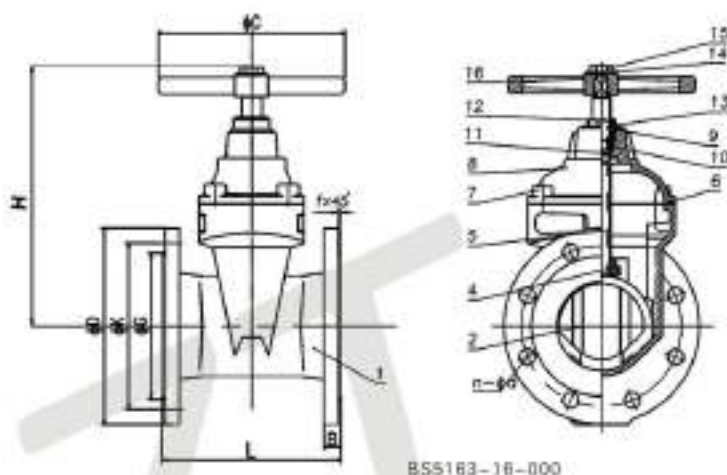
DN	O	D1	D2	H	L		h	f	Z-D
					F4	F5			
Φ700	Φ928	Φ840	Φ794	1890	430	900	39.5	5	24-Φ31
Φ800	Φ1034	Φ950	Φ901	1950	470	1000	43	5	24-Φ34
Φ900	Φ1125	Φ1050	Φ1001	2110	510	1100	46.5	5	28-Φ40
Φ1000	Φ1230	Φ1160	Φ1110	2300	550	1200	50	5	28-Φ37
Φ1200	Φ1455	Φ1380	Φ1330	2680	630	1400	56	5	32-Φ40
Φ1400	Φ1675	Φ1590	Φ1535	2970	710	-	62	5	35-Φ43



## Gate Valve Series

RZT Non-rising stem resilient seated gate valve

BS5163 DN40-DN600

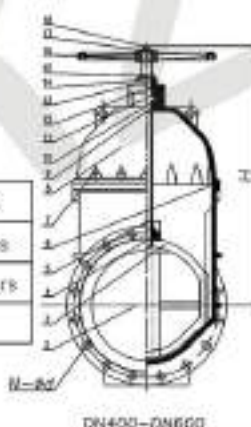


BS5163-16-000

### TECHNICAL SPECIFICATIONS

1. Design, manufacture conforms to BS5163
2. Face to face dimension of BS5163
3. Flange drilled conforms to EN1092-2

Working pressure	Pn10	Pn16
Shell pressure	15Bars	24Bars
Seat pressure	11Bars	17.6Bars
Working temperature	-20-80°C	



DN400-DN600

### MATERIALS OF PARTS

Item	Part name	Material
1	Body	GGG50
2	Disc	GGG50+EPDM
3	Wedge Disc	GGG50
4	Disc nut	Brass BS2872/2874
5	Stem	SS304/X20Cr13
6	Gasket	EPDM Bz2494
7	Bolt	Galvanized steel BS1789
8	Bonnet	GGG50
9	Gasket	PTFE
10	Holding ring	Brass BS2872/2874
11	O ring	NBR Bz2494
12	Dust ring	EPDM Bz2494
13	Brass nut	Brass BS2872/2874
14	Gasket	A2-70
15	Screw	A2-70
16	Hand wheel	Carbon steel BS1789

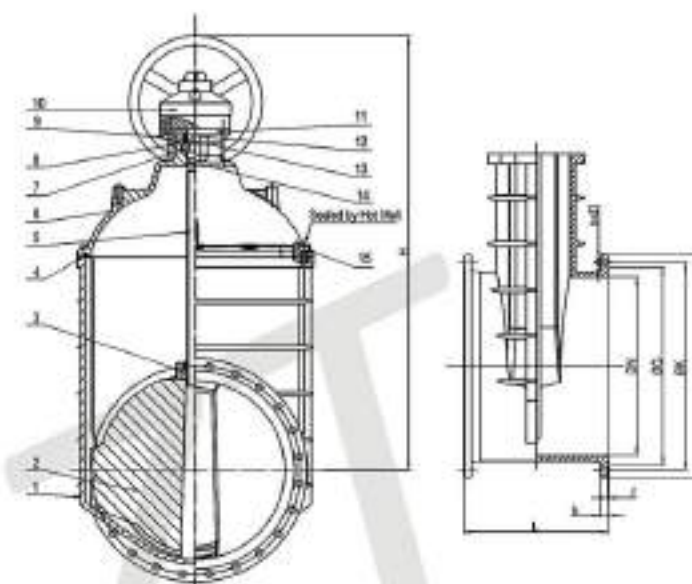
### DIMENSIONS ASTE (mm)

DN	L1	D	K12		G12		S12	C	N-Ø12		Y	H	HM	hm
			F10	F16	F10	F16			F10	F16				
40	165	150	110	110	88	88	19	160	4-φ19	4-φ19	3	210	30	6.5
50	178	165	125	125	100	100	19	160	4-φ19	4-φ19	3	210	35	7
65	190	185	145	145	120	120	19	160	4-φ19	4-φ19	3	235	35	9
80	203	200	160	160	135	135	19	200	8-φ19	8-φ19	3	264	40	11
100	229	220	180	180	156	156	19	200	8-φ19	8-φ19	3	294	50	13.5
125	254	250	210	210	186	186	19	280	8-φ19	8-φ19	3	344	60	11
150	267	285	240	240	212	212	19	280	8-φ23	8-φ23	3	369	70	13
200	292	340	295	295	268	268	20	320	8-φ23	12-φ23	3	481	120	17
250	330	405	350	355	318	318	22	320	12-φ23	12-φ28	3	559	150	21
300	358	480	400	410	370	373	24.5	420	12-φ23	12-φ28	3	655	160	25
350	381	520	460	470	430	433	26.5	420	16-φ23	16-φ28	3	751	200	29
400	406	580	515	525	480	483	28	500	16-φ28	16-φ31	4	927	250	33
450	432	640	565	585	528	548	30	500	20-φ28	20-φ31	4	1020	420	37.5
500	457	715	620	650	582	605	31.5	500	20-φ28	20-φ34	4	1114	350	41.5
600	508	840	725	770	680	710	36	600	20-φ30	20-φ37	4	1251	400	50

## Gate Valve Series

RZT Non-rising stem resilient seated gate valve

BS5163 DN250-DN1200



### MATERIALS OF PARTS

Item	Part name	Material	Material
1	Body	Cr.500-7	Bs2780
2	Disc	Cr.500-7+EPDM	Bs2789
3	Stem nut	CZ122	BS2872-2874
4	Bonnet Gasket	NBR	ISO4633
5	Stem	420S37	Bs970
6	Bonnet	Cr.500-7	Bs2789
7	Holding ring	Cz122	BS2872-2874
8	O ring	NBR	ISO4633
9	Screw	060A35	Bs970
10	Gear		
11	Gland	Cr.500-7	Bs2788
12	O ring	NBR	ISO4633
13	Separated Sets of Nylon	Nylon 66	
14	O ring	NBR	ISO4633
15	Bonnet bolts	060A35	Bs970

### TECHNICAL SPECIFICATIONS

1. Design, manufacture conforms to BS5163
2. Face to face dimension of EN558-1
3. Flange drilled conforms to EN 1092-2

Working pressure	Pn10	Pn16
Shell pressure	15Bars	24Bars
Seat pressure	11Bars	17.6Bars
Working temperature	-20-80°C	

### DIMENSIONS ASTE (mm)

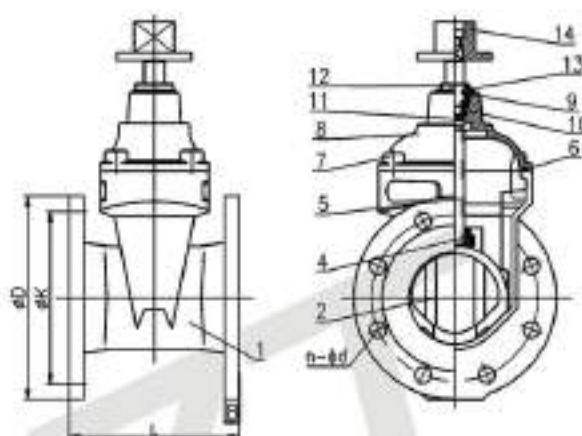
DN	OUTLINE mm			END FLANGE PN16					
	L	H	K12/G12	C	F	G	n-φ	n	F
250	330	780	F14	405	355	319	12-φ28	22	3
300	356	860	F14	490	410	370	12-φ28	24.5	4
350	381	960	F16	520	470	429	16-φ31	26.5	4
400	406	1080	F16	580	525	480	16-φ31	28	4
450	432	1180	F16	640	565	548	20-φ31	30	4
500	457	1240	F16	715	650	609	20-φ34	31.5	4
600	508	1470	F25	840	770	720	20-φ37	38	5
700	610	1640	F25	910	840	794	24-φ37	39.5	5
800	660	1780	F25	1025	960	901	24-φ39	43	5
1000	813	2350	F30	1255	1170	1112	28-φ43	50	5
1200	1015	2500	F30	1485	1390	1328	32-φ49	57	5



## Gate Valve Series

RZT resilient seated gate valve

ANSI PN10/PN16/DN50-DN600



### MATERIALS OF PARTS

Item	Part name	Material
1	Body	GGG50
2	Disc	GGG50+EPDM
3	Wedge nut	GGG50
4	Disc nut	Brass BS2872/2874
5	Stem	X20Cr13
6	Gasket	EPDM
7	Bolt	Galvanized steel BS1769
8	Bonnet	GGG50
9	Gasket	PTFE or nly Bs2494
10	Holder ring	Brass BS2872/2874
11	O-ring	NBR
12	Dust ring	EPDM
13	Brass nut	Brass BS2872/2874
14	Cap top	GGG50

### TECHNICAL SPECIFICATIONS

- Design to AWWA C515;
- Face to face: ANSI B16.10;
- Flange & drilling to ASME B16.42;

test pressure	shell	300Psi
	seat	200Psi
Working temperature	-20~80°C	

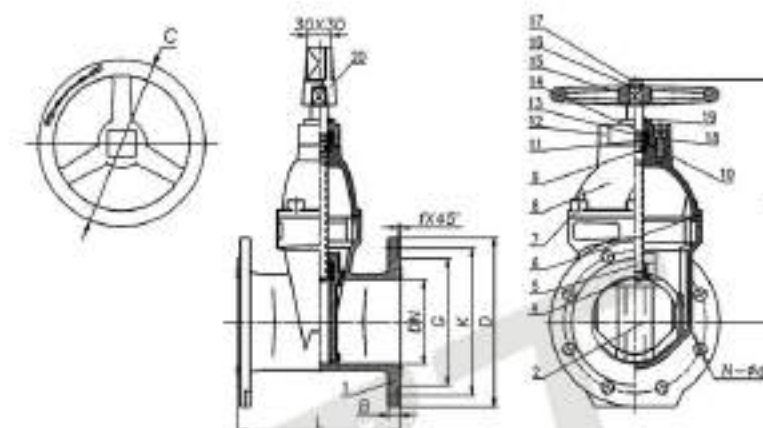
### DIMENSIONS ASTE (mm)

DN	L	D	K	H	n-φd
50	178	152	120.7	16	4-φ19
65	191	178	139.7	17.5	4-φ19
80	203	191	152.4	19	4-φ19
100	229	229	190.5	24	8-φ19
125	254	254	215.9	24	8-φ22
150	267	279	241.3	25.5	8-φ22
200	292	343	298.5	29	8-φ22
250	330	406	352	30.5	12-φ25
300	358	483	431.8	32	12-φ25
350	381	532	476.3	35	12-φ29
400	406	597	539.8	37	16-φ29
450	432	635	577.9	39.7	16-φ32
500	457	689	635	43	20-φ32
600	508	813	749.3	48	20-φ35

## Gate Valve Series

RZT Resilient seated gate valve

F4/F5 PN10/PN16/DN40-DN450



### MATERIALS OF PARTS

Item	Part name	Material
1	Body	GGG50
2	Disc	GGG50+EPDM
3	Wedge Disc	GGG50
4	Stem nut	Brass BS2872/2874
5	Stem	X20Cr13
6	Gasket	EPDM BS2494
7	Bolt	Galvanized steel BS1769
8	Bonnet	GGG50
9	Holder ring	Brass BS2872/2874
10	O ring	NBR BS2494
11	O ring	NBR BS2494
12	Gland	GGG50
13	Nylon	PTFE OF NLY BS2494
14	O ring	NBR BS2494
15	Hand wheel	Carbun steel/GGG50
16	Gasket	A2-70
17	Screw	A2-70
18	Bolt	Galvanized steel BS1769
19	Dust ring	EPDM BS2494
20	Cap top	GGG50

### TECHNICAL SPECIFICATIONS

- Design ,manufacture conforms to BS5183
- Face to face dimension of BS5183
- Flange drilled conforms to EN1092-2

Working pressure	Pn10	Pn16
Shell pressure	15Bars	24Bars
Seat pressure	11Bars	17.8Bars
Working temperature	-20~80°C	

### DIMENSIONS ASTE (mm)

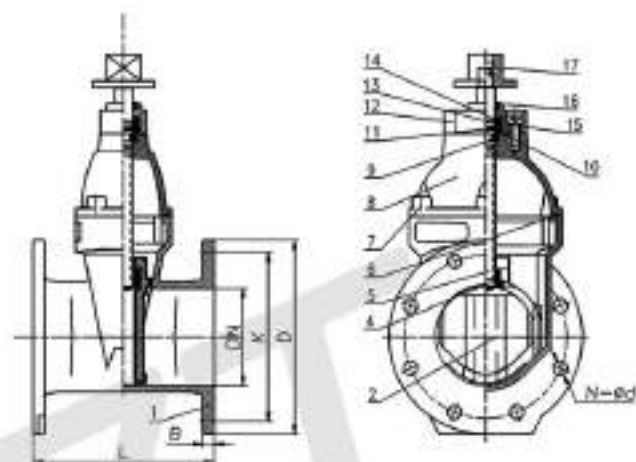
DN	L	D	K35		B35		B32	C	N-φd33		I	H	H4	L4
			P10	P16	P10	P16			P10	P16				
40	165	150	110	110	89	89	19	160	4-φ19	4-φ19	3	210	30	6.5
50	178	165	125	125	102	102	19	160	4-φ19	4-φ19	3	210	35	7
65	190	185	145	145	122	122	19	160	4-φ19	4-φ19	3	235	35	8
80	203	200	160	160	138	138	19	200	4-φ19	8-φ19	3	284	40	11
100	229	220	180	180	158	158	19	200	8-φ19	8-φ19	3	294	50	13.5
125	254	250	210	210	188	188	19	280	8-φ19	8-φ19	3	344	80	11
150	267	285	240	240	212	212	19	280	8-φ23	8-φ23	3	389	70	13
200	292	340	295	295	268	268	20	320	8-φ23	12-φ23	3	481	120	17
250	330	405	350	350	320	320	22	320	12-φ23	12-φ28	3	599	150	21
300	358	460	400	410	370	378	24.5	420	12-φ23	12-φ28	3	695	160	25
350	381	520	480	470	430	438	25.5	420	16-φ23	16-φ28	3	751	200	29
400	406	580	515	525	480	490	28	500	16-φ28	16-φ31	3	827	250	33
450	432	640	565	585	520	540	30	500	20-φ28	20-φ31	3	1020	420	37.5



## Gate Valve Series

RZT Non-rising stem resilient seated gate valve

AWWA C509 DN50-DN600



### MATERIALS OF PARTS

Item	Part name	Material
1	Body	GGG50
2	Disc	GGG50+EPDM
3	Wedge Disc	GGG50
4	Stem nut	Brass BS2672/2874
5	Stem	X20Cr13
6	Gasket	EPDM BS2494
7	Bolt	Galvanized steel BS1769
8	Bonnet	GGG50
9	Holder ring	Brass BS2672/2874
10	O-ring	NBR BS2494
11	O-ring	NBR BS2494
12	Gland	GGG50
13	Nylon	PTFE of nly BS2494
14	O-ring	NBR BS2494
15	Bolt	Galvanized steel BS1769
16	Dust ring	EPDM BS2494
17	Cap top	GGG50

### TECHNICAL SPECIFICATIONS

- Design, manufacture conforms to AWWA C515
- Face to face dimension of ANSI B16.10
- Flange drilled conforms to ASME B16.42

test pressure	shell	300Psi
	seat	200Psi
Working temperature		-20~80°C

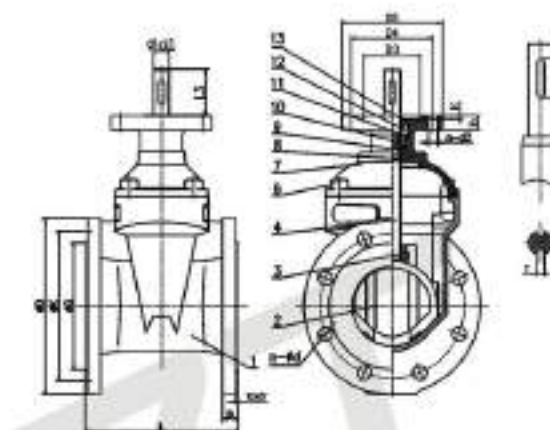
### DIMENSIONS ASTE (mm)

DN	L	D	K	θ	N-φd
50	178	152	120.7	16	4-φ19
65	191	178	139.7	17.5	4-φ19
80	203	191	152.4	19	4-φ19
100	229	229	190.5	24	8-φ19
125	254	254	215.9	24	8-φ22
150	267	279	241.3	25.5	8-φ22
200	292	343	268.5	29	8-φ22
250	330	406	362	30.5	12-φ25
300	355	483	431.8	32	12-φ25
350	381	533	476.3	35	12-φ29
400	405	597	539.8	37	16-φ29
450	432	635	577.9	39.7	16-φ32
500	457	699	635	43	20-φ32
600	508	813	749.3	48	20-φ35

## Gate Valve Series

RZT Electric operated gate valve

DIN/BS/ANSI PN10/PN16/DN40-DN600



### MATERIALS OF PARTS

Item	Part name	Material
1	Body	GGG50
2	Disc	GGG50+EPDM
3	Disc nut	Brass BS2672/2874
4	Stem	X20Cr13
5	Bonnet Gasket	NBR/EPDM
6	Bolt	Galvanized steel BS1769
7	Bonnet	GGG50
8	O-ring	PTFE of nly BS2494
9	Holder ring	Brass BS2672/2874
10	O-ring	NBR/EPDM BS2494
11	Gasket	PTFE of nly BS2494
12	Brass nut	Brass BS2672/2874
13	Nut	BS2672/2874

### TECHNICAL SPECIFICATIONS

- Design to DIN3352;
- Face to face: DIN3202-F4;
- Flange & drilling to EN1092-2;

Working pressure	PN10	PN16
Shell pressure	15Bars	24Bars
Seat pressure	11Bars	17.8Bars
Working temperature	-20~80°C	

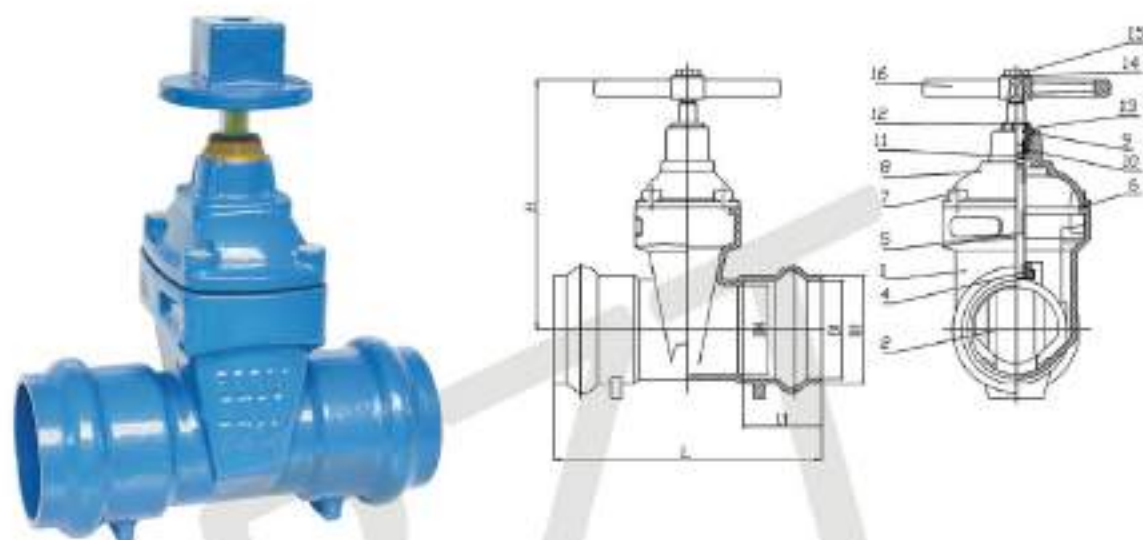
### DIMENSIONS ASTE (mm)

DN	L	D		K,22		G,22		S,22	f	N-φd,22		T <sub>min</sub>	T <sub>max</sub>
		PN10	PN16	PN10	PN16	PN10	PN16			PN10	PN16		
40	140	150	150	110	110	88	88	19	3	4-φ19	4-φ19	35	6.5
50	150	165	165	125	125	102	102	19	3	4-φ19	4-φ19	35	7
65	170	185	185	145	145	122	122	19	3	4-φ19	4-φ19	35	9
80	180	200	200	160	160	138	138	20	3	4-φ19	8-φ19	40	11
100	190	220	220	180	180	158	158	20	3	8-φ19	8-φ19	50	13.5
125	200	250	250	210	210	188	188	22	3	8-φ19	8-φ19	80	11
150	210	285	285	240	240	212	212	22	3	8-φ23	8-φ23	70	13
200	230	340	340	295	295	258	258	23	3	8-φ23	12-φ23	100	17.5
250	250	365	405	350	355	320	320	26	3	12-φ23	12-φ28	160	22
300	270	445	490	400	410	370	378	26	4	12-φ23	12-φ28	160	25.5
350	290	505	520	460	470	430	438	28	4	16-φ23	16-φ28	220	29.5
400	310	565	580	515	525	480	482	30	4	16-φ28	16-φ31	220	34
500	350	670	715	620	650	582	609	34	4	20-φ28	20-φ34	350	43
600	390	780	840	725	770	682	720	36	5	20-φ30	20-φ36	600	50

## Gate Valve Series

RZT Non-rising stem resilient socket gate valve

DIN/BS/ANSI DN50-DN300



### TECHNICAL SPECIFICATIONS

1. Design standard to DIN3352
2. Face to face dimension to DIN3202-F5
3. Testing standard to DIN3230

Working pressure	Pn10	Pn16
Shell pressure	15Bars	24Bars
Seat pressure	11Bars	17.6Bars
Working temperature	-20~80°C	

### MATERIALS OF PARTS

Item	Part name	Material
1	Body	GGG50
2	Disc	GGG50+EPDM
3	Wedge Disc	GGG50
4	Disc nut	Brass BS2672/2874
5	Stem	X20Cr13
6	Gasket	EPDM BS2494
7	Bolt	Galvanized steel BS1769
8	Bonnet	GGG50
9	Gasket	PTFE of nly BS2494
10	Holding ring	Brass BS2672/2874
11	O-ring	EPDM BS2494
12	Dust ring	EPDM BS2494
13	Brass nut	Brass BS2672/2874
14	Gasket	A2-70
15	Screw	A2-70
16	Handwheel	Carbun steel BS1769

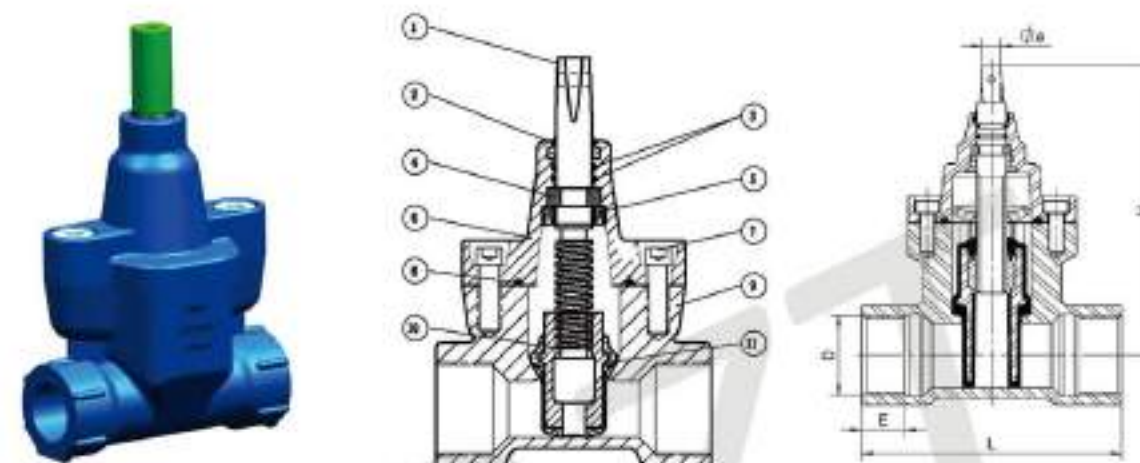
### DIMENSIONS ASTE (mm)

DN	L	D1	D2	L1	H
50	250	Φ63	Φ73	70.6	200
65	270	Φ77	Φ87	80	230
80	280	Φ90	Φ102	84	250
100	300	Φ110	Φ122	88	280
150	350	Φ160	Φ174	89	370
200	400	Φ204	Φ220	125	450
250	450	Φ254	Φ274	140	545
300	500	Φ319	Φ339	150	630

## Gate Valve Series

RZT service valve

DN20-DN50



### TECHNICAL SPECIFICATIONS

1. Design to DIN3352;
2. Face to face: DIN3202-F4;
3. Flange & drilling to EN1092-2;

Working pressure	Pn10	Pn16
Shell pressure	15Bars	24Bars
Seat pressure	11Bars	17.6Bars
Working temperature	-20~80°C	

### MATERIALS OF PARTS

Item	Part name	Material	Standard
1	Stem	20Cr13	En14028
2	Dust Protection	EPDM	En881
3	O-ring	NBR	En681
4	Bush	CuZn30Pt21760	En1062
5	Bush	SS304	
6	Bonnet	Gs-404-15	En1563
7	Bolts	Steel 8.8 Znced	
8	Gasket	EPDM	En681
9	Body	Gs-404-15	En1563
10	Wedge	Brass+NBR/EPDM	En1962
11			En681

### DIMENSIONS ASTE (mm)

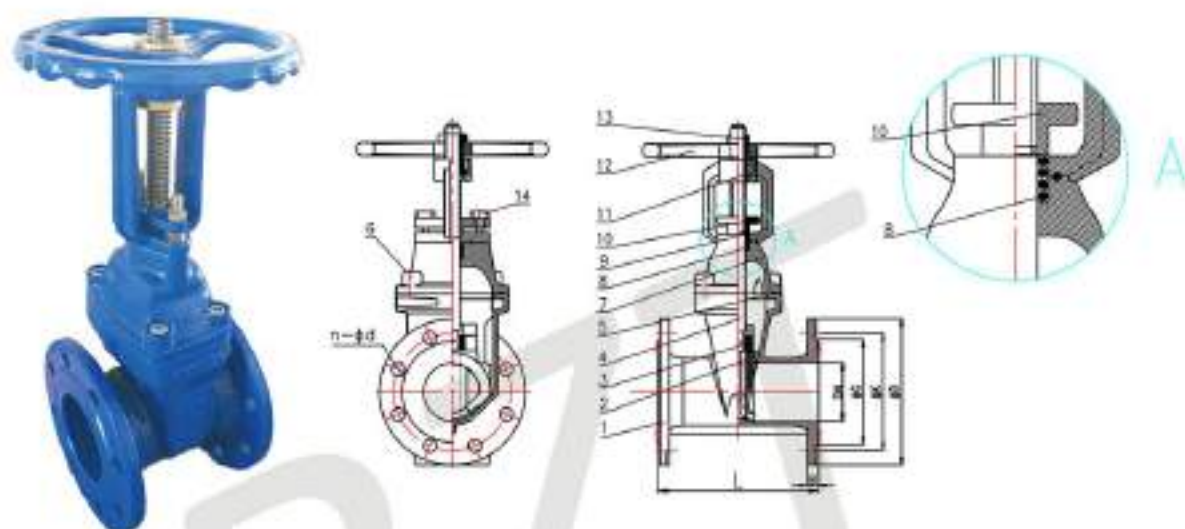
DN	DBCPI	L	E	H	I
20	3/4"	129	25	150	12
25	1"	129	25	150	12
32	1 1/4"	129	25	150	12
40	1 1/2"	150	30	210	14
50	2"	150	30	210	14



## Gate Valve Series

RZT Rising stem resilient seated gate valve

DIN/BS/ANSI DN50-DN400



### TECHNICAL SPECIFICATIONS

- 1.Face to face is according to ANSI B16.10
- 2.Flange drilled is according to ANSI B16.10
- 3.Leakage rate C as per ISO5208

Working pressure	Pn10	Pn16
Shell pressure	15Bars	24Bars
Seat pressure	11Bars	17.6Bars
Working temperature	-20~80°C	

### MATERIALS OF PARTS

Item	Part name	Material
1	Body	GGG50
2	Disc	GGG50+EPDM
3	Disc nut	Brass BS2872/2874
4	Stem	X20Cr13
5	Gasket	EPDM
6	Bolt	Galvanized steel BS1769
7	Bonnet	GGG50
8	O-ring+Gasket	NBR+PTFE
9	Bracket	GGG50
10	Gland	GGG50
11	Brass nut	Brass BS2872/2874
12	Handwheel	Carbon steel BS1769
13	Brass nut	Brass BS2872/2874
14	Bolt	Galvanized steel BS1769

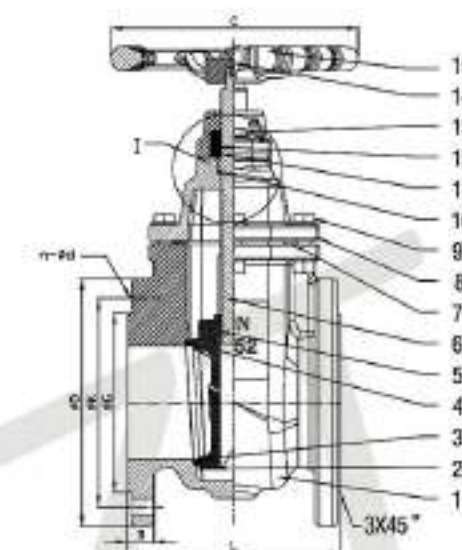
### DIMENSIONS ASTE (mm)

DN	L1	D	K33		G39		B32	C	N-Φc23		I	H	NM	tar
			P10	P16	P10	P16			P10	P16				
40	185	150	110	110	88	88	19	180	4-Φ19	4-Φ19	3	210	30	6.5
50	178	165	125	125	102	102	19	180	4-Φ19	4-Φ19	3	210	36	7
65	190	185	145	145	122	122	19	180	4-Φ19	4-Φ19	3	235	36	9
80	203	200	160	160	138	138	19	200	4-Φ19	8-Φ19	3	264	40	11
100	229	220	180	180	158	158	19	200	8-Φ19	8-Φ19	3	294	50	13.5
125	254	250	210	210	188	188	19	280	8-Φ19	8-Φ19	3	344	60	11
150	267	285	240	240	212	212	19	280	8-Φ23	8-Φ23	3	389	70	13
200	292	340	295	295	268	268	20	320	8-Φ23	12-Φ23	3	481	120	17
250	330	405	355	355	320	320	22	320	12-Φ23	12-Φ28	3	559	150	21
300	386	460	400	410	370	378	24.5	420	12-Φ23	12-Φ28	3	656	160	25
350	381	520	450	470	430	438	26.5	420	16-Φ23	16-Φ28	3	751	200	29
400	406	580	515	525	480	490	28	500	16-Φ28	16-Φ31	3	927	250	33
450	432	640	585	585	520	540	30	500	20-Φ28	20-Φ31	3	1020	420	37.5

## Gate Valve Series

RZT Non-rising stem metal-seated gate valve

DN40-DN400



### TECHNICAL SPECIFICATIONS

- 1.Face to face is according to DIN EN558-1
- 2.Flange drilled is according to DIN EN1092-2
- 3.Working temperature: 0~100°C
- 4.Working pressure: PN10~PN16

Working pressure	Pn10	Pn16
Shell pressure	15Bars	24Bars
Seat pressure	11Bars	17.6Bars
Working temperature	-20~80°C	

### MATERIALS OF PARTS

Item	Part name	Material
1	Body	GGG50
2	Disc	GGG50
3	Sealing ring	Brass
4	Sealing ring	Brass
5	Nut	Brass
6	Stem	2Cr13
7	Bonnet Gasket	EPDM/NBR
8	Bonnet	GGG50
9	Bolt	Galvanized
10	Gasket	Nylon
11	O-ring	EPDM/NBR
12	Copper bush	Brass
13	Bolt	Galvanized
14	Bolt	AZ-70
15	Handwheel	GGG50

### DIMENSIONS ASTE (mm)

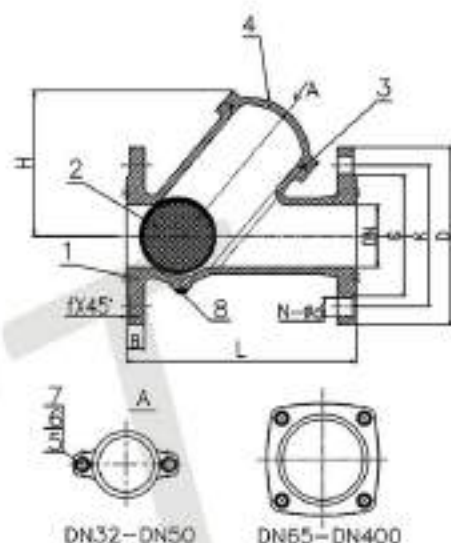
DN	L1	D		K33		G39		B32	D	C	N-Φc23	
		Pn10	Pn16	Pn10	Pn16	Pn10	Pn16				P10	P16
40	140	150	150	110	110	87	87	19	18	180	4-Φ19	4-Φ19
50	150	165	165	125	125	102	102	19	20	180	4-Φ19	4-Φ19
65	170	185	185	145	145	122	122	19	20	180	4-Φ19	4-Φ19
80	180	200	200	160	160	138	138	19	22	220	8-Φ19	8-Φ19
100	190	220	220	180	180	158	158	19	24	220	8-Φ19	8-Φ19
125	200	250	250	210	210	188	188	19	26	280	8-Φ19	8-Φ19
150	210	285	285	240	240	212	212	19	28	280	8-Φ23	8-Φ23
200	230	340	340	295	295	268	268	20	28	280	8-Φ23	12-Φ23
250	250	395	405	350	355	320	320	22	35	350	12-Φ23	12-Φ28
300	270	445	460	400	410	370	378	24.5	35	350	12-Φ23	12-Φ28
400	310	565	580	515	525	482	480	28	55	550	16-Φ28	16-Φ31



## Check Valve Series

RZT Ball check valve

DN32-DN400



### TECHNICAL SPECIFICATIONS

1. Design standard to DIN3352
2. Face to face is according to DIN3202-F8
3. Flange drilled is according to DIN2533/EN1092-2

Working pressure	Pn10	Pn16
Shell pressure	16Bars	24Bars
Seat pressure	11Bars	17.6Bars
Working temperature	-20-80°C	

### MATERIALS OF PARTS

Item	Part name	Material
1	Body	GGG50
2	Ball	GGG50+EPDM
3	O-ring	NBR
4	Cover	GGG50
5	Gasket	A2-70
6	Screw	A2-70
7	Nut	A2-70
8	Plug	A2-70/SS304

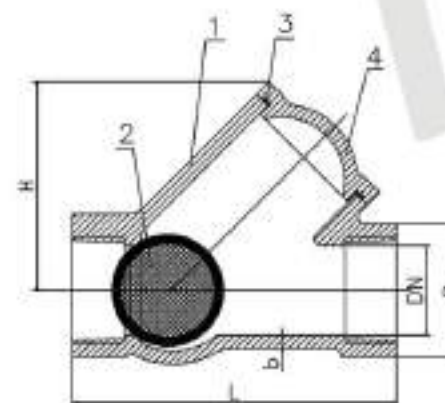
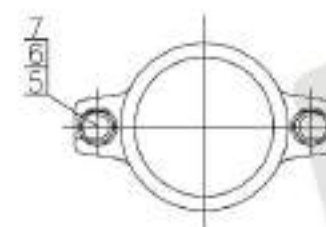
### DIMENSIONS ASTE (mm)

DN	L	D	D1	D2	H
32	180	140	100	72	102
40	180	150	110	82	102
50	200	165	125	100	116
65	240	185	145	120	151
80	280	200	160	132	169
100	300	220	180	152	196
125	350	250	210	182	228
150	400	285	240	208	262
200	500	340	296	263	354
250	600	405	356	320	490
300	700	480	410	375	528
350	800	520	470	438	600
400	900	580	525	482	670

## Check Valve Series

RZT Thread ball check valve

DN25-DN80



### TECHNICAL SPECIFICATIONS

1. The connection length standard is EN558-1
2. Thread standard: BSP ISO 228-1

Working pressure	Pn10	Pn16
Shell pressure	16Bars	24Bars
Seat pressure	11Bars	17.6Bars
Working temperature	-20-80°C	

### MATERIALS OF PARTS

Item	Part name	Material
1	Body	GGG50
2	Ball	GGG50+EPDM
3	O-Ring	NBR
4	Cover	GGG50
5	Gasket	A2-70
6	Bolt	A2-70
7	Nut	A2-70

### DIMENSIONS ASTE (mm)

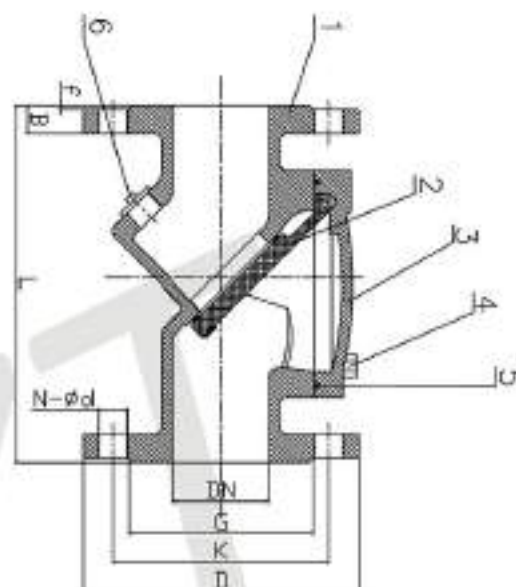
DN	L	D	H	D
25	135	50	75	6
32	135	50	75	6
40	145	60	80	6
50	175	72	106	7
65	200	90	131	7
80	248	108	153	8



## Check Valve Series

RZT 45° Rubber-seated check valve

DN50-DN400



### TECHNICAL SPECIFICATIONS

1. Face to face is according to BS5153
2. Flange drilled is according to EN1092-2

Working pressure	Pn10	Pn16
Shell pressure	16Bars	24Bars
Seat pressure	11Bars	17.6Bars
Working temperature	-20~80°C	

### MATERIALS OF PARTS

Item	Part name	Material
1	Body	GGG50
2	Rubber Flap	EPDM
3	Cover	GGG50
4	Cover Bolts	A2-70
5	A seal	EPDM
6	Plug	A2-70

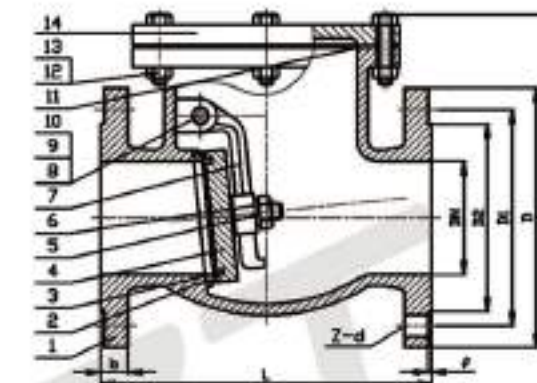
### DIMENSIONS ASTE (mm)

DN	L1	D	R78		G32		B19	I	N-φ12	
			P10	P16	P10	P16			P10	P16
50	203	165	125	125	100	100	19	3	4-φ19	4-φ19
65	218	185	145	145	120	120	19	3	4-φ19	4-φ19
80	241	200	160	160	135	135	19	3	8-φ19	8-φ19
100	292	220	180	180	155	155	19	3	8-φ19	8-φ19
125	330	250	210	210	185	185	19	3	8-φ19	8-φ19
150	358	285	240	240	212	212	19	3	8-φ23	8-φ23
200	435	340	295	295	268	268	20	3	8-φ23	12-φ23
250	522	405	350	355	318	318	22	3	12-φ23	12-φ28
300	599	450	400	410	370	373	24.5	4	12-φ23	12-φ28
400	914	680	515	525	490	493	28	4	16-φ28	16-φ31

## Check Valve Series

RZT Swing Type check valve

DN50-DN600



### TECHNICAL SPECIFICATIONS

1. Design standard to BS5153/DIN3202-F6
2. Face to face is according to BS5153 PN10/PN16
3. Flange drilled is according to BS4504/EN1092-2

Working pressure	Pn10	Pn16
Shell pressure	15Bars	24Bars
Seat pressure	11Bars	17.6Bars
Working temperature	-20~80°C	

### MATERIALS OF PARTS

Item	Part name	Material
1	Body	Gg25
2	Body Seat Ring	
3	Disc Seat Ring	
4	Disc	GGG50
6	Washer	A3
8	Locking Nut	A3
7	Arm	GGG50
8	Hing Pin	20Cr13
9	Plug	A3
10	Gasket	
11	Gasket	
12	Bolt	
13	Nut	A3
14	Bonnet	GG25

### DIMENSIONS ASTE (mm)

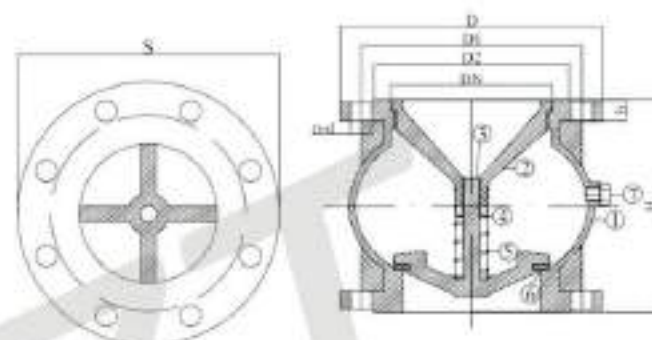
SIZE	DN	D	D1	D2	L	L1	F	Z-d	H
2"	φ50	φ165	φ125	φ99	203	20	3	4-φ19	137
2 1/2"	φ65	φ185	φ145	φ118	216	20	3	4-φ19	147
3"	φ80	φ200	φ160	φ132	241	22	3	8-φ19	159
4"	φ100	φ220	φ180	φ156	262	24	3	8-φ19	180
5"	φ125	φ250	φ210	φ184	330	26	3	8-φ19	203
6"	φ150	φ285	φ240	φ211	356	26	3	8-φ23	223
8"	φ200	φ340	φ295	φ288	495	30	3	12-φ23	258
10"	φ260	φ405	φ355	φ320	622	32	3	12-φ28	290
12"	φ300	φ490	φ410	φ378	699	32	4	12-φ28	325
14"	φ350	φ520	φ470	φ436	787	36	4	16-φ28	361
16"	φ400	φ580	φ525	φ490	914	38	4	16-φ31	388
18"	φ450	φ640	φ585	φ548	914	40	4	20-φ31	400
20"	φ500	φ715	φ650	φ610	1016	42	4	20-φ34	450
24"	φ600	φ840	φ770	φ725	1219	46	5	20-φ37	500



## Check Valve Series

RZT Vertical lift check valve

PN25 DN50-DN300



### TECHNICAL SPECIFICATIONS

1. Design standard: Silent Check Valve
2. Flanges standard: EN1092/SANS1123
3. Tests standard: BS EN12266-1-2003
4. Internal & external FBE above 300microns

Working pressure	Pn10	Pn16
Shell pressure	15bars	24bars
Seat pressure	11bars	17.6bars
Working temperature	-20-80°C	

### MATERIALS OF PARTS

Item	Part name	Material
1	Body	GGG50
2	Guide	GGG50
3	Guide Stem	GGG50
4	Bushing	Brass
5	Regulation spring	SS304
6	Seat	NBR / EPDM / VITON
7	Drainage Screw	SS304

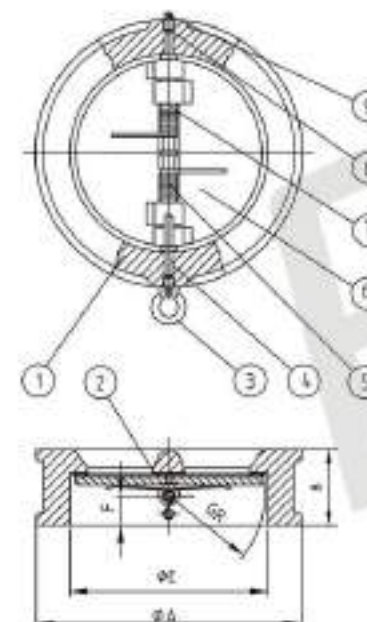
### DIMENSIONS ASTE (mm)

DN	PN	D	D1	D2	h	f	N-φd12	H	S	h <sub>g</sub>
50	2.5	165	125	102	20	3	4-φ18	100	165	17.5
65	2.5	185	145	122	20	3	4-φ18	120	185	18.2
80	2.5	200	160	138	22	3	8-φ18	140	200	24.3
100	2.5	220	180	158	24	3	8-φ18	170	220	29.5
125	2.5	27	220	188	25	3	8-φ24	200	250	42.5
150	2.5	300	250	212	26	3	8-φ24	230	295	55.5
200	2.5	360	310	268	30	3	12-φ24	300	340	95.7
250	2.5	425	370	320	32	3	12-φ27	370	405	120.2
300	2.5	485	430	378	32	4	16-φ27	410	460	140.5

## Check Valve Series

RZT Wafer type check valve

PN16/PN25/DN40-DN600



### TECHNICAL SPECIFICATIONS

1. Design code: API594
2. INSPECTION & TEST: API598
3. END STANDARD: PN10/PN16/PN25
4. FACE TO FACE: API594

Working pressure	Pn10	Pn16	Pn25
Shell pressure	15bars	24bars	37.5bars
Seat pressure	11bars	17.6bars	27.5bars
Working temperature	-21-80		

### MATERIALS OF PARTS

Item	Part name	Material
1	Body	Ductile iron / WCB
2	Seat	EPDM
3	Eye bolt	Carbon steel
4	Shaft	SS304
5	Spring	SS304
6	Plate	Carbon steel / CF8
7	Washer	PTFE
8	Packing	NBR
9	Bolt	Carbon steel

### DIMENSIONS ASTE (mm)

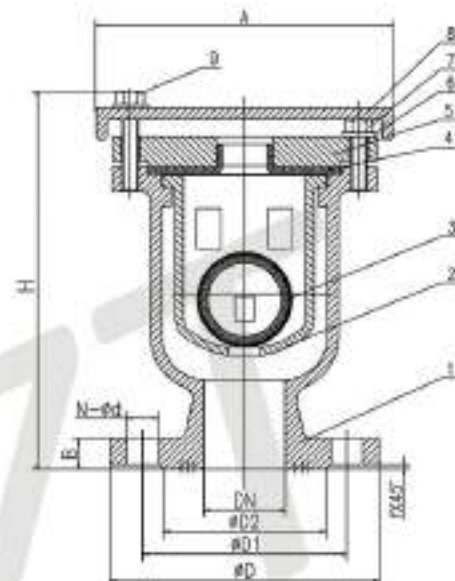
PN16															
DN	40	50	65	80	100	125	150	200	250	300	350	400	450	500	600
A	78	107	127	142	162	192	218	273	328	378	438	489	555	617	734
B	43	43	46	64	64	70	78	89	114	114	127	140	152	152	178
C	57	65	80	94	117	145	170	224	265	310	360	410	450	505	624
F	19	19	20	26	27	30	31	33	50	43	45	52	58	58	73
PN25															
DN	40	50	65	80	100	125	150	200	250	300	350	400	450	500	600
A	92	107	127	142	162	192	218	273	328	378	438	489	555	617	734
B	43	43	46	64	64	70	78	89	114	114	127	140	152	152	178
C	57	65	80	94	117	145	170	224	265	310	360	410	450	505	624
F	19	19	20	26	27	30	31	33	50	43	45	52	58	58	73



## Air Valve Series

RZT Single ball air valve

PN16/PN25 DN50-DN150



### TECHNICAL SPECIFICATIONS

1. Design standard: ISO
2. Flanges standard: AP1609, BS EN558, DIN3202
3. Flange: ANSI B16.5/BS4504/EN 1092-2

performance specification			
Normal pressure	1.6MPa	2.5MPa	
Suitable medium	Water		
test pressure	shell	24.0Bar	37.5Bar
	seat	17.6Bar	27.5Bar
Working temperature	≤80°C		

### MATERIALS OF PARTS

Item	Part name	Material
1	Body	GGG50
2	CUP	GGG50
3	Floating Ball	Wood ball+EPDM
4	Seal	EPDM
5	Cover	GGG50
6	Gasket	A2-70
7	Bolt	A2-70
8	Dust Cover	GGG50
9	Bolt	A2-70

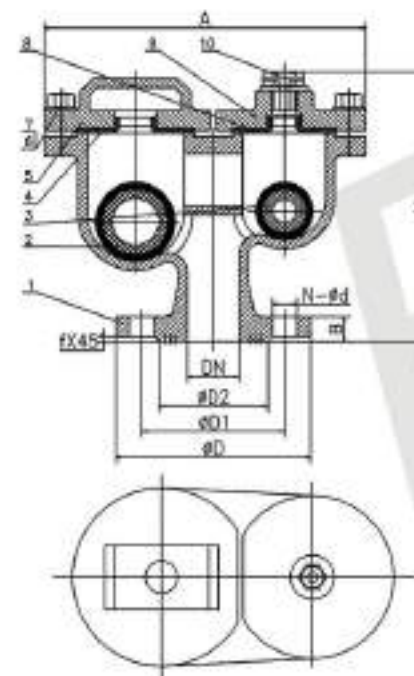
### DIMENSIONS ASTE (mm)

DN	A	D		D1		D2		t	N-#d				H
		R16	R25	R16	R25	R16	R25		R16	R25			
50	182	165	165	125	125	99	99	3	4-Φ19	4-Φ19	19	19	231
65	182	185	185	145	145	118	118	3	4-Φ19	8-Φ19	19	19	231
80	237	200	200	160	160	132	132	3	8-Φ19	8-Φ19	19	19	289
100	237	220	235	180	190	154	156	3	8-Φ19	8-Φ23	19	19	289
125	296	250	270	210	220	184	188	3	8-Φ19	8-Φ28	19	19	350
150	296	285	300	240	250	210	218	3	8-Φ23	8-Φ28	19	19	350

## Air Valve Series

RZT Double ball air valve

PN16/PN25 DN40-DN200



### TECHNICAL SPECIFICATIONS

1. Design standard: ISO
2. Face to face: AP1609, BS EN558, DIN3202
3. Flange: ANSI B16.5/BS4504/EN 1092-2

performance specification			
Normal pressure	1.6MPa	2.5MPa	
Suitable medium	Water		
test pressure	shell	24.0Bar	37.5Bar
	seat	17.6Bar	27.5Bar
Working temperature	≤80°C		

### MATERIALS OF PARTS

Item	Part name	Material
1	Body	GGG50
2	Floating Ball 1	ABS/SS304+EPDM
3	Floating Ball 2	ABS/SS304+EPDM
4	Seal Seat	NR
5	Seal Cover	GGG50
6	Screw	Q235
7	Gasket	Q235
8	Seal Seat	NR
9	Seal Cover	GGG50
10	Air Relief	2C13

### DIMENSIONS ASTE (mm)

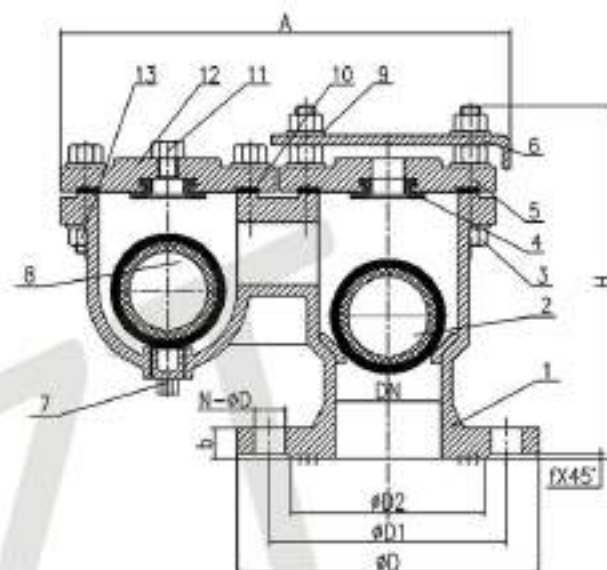
DN	A	D		D1		D2		t	N-#d				H
		R16	R25	R16	R25	R16	R25		R16	R25			
40	250	150	150	110	110	84	84	3	4-Φ19	4-Φ19	19	19	208
50	250	165	165	125	125	99	99	3	4-Φ19	4-Φ19	19	19	208
65	250	185	185	145	145	118	118	3	4-Φ19	8-Φ19	19	19	208
80	325	200	200	160	160	132	132	3	8-Φ19	8-Φ19	19	19	250
100	325	220	235	180	190	154	156	3	8-Φ19	8-Φ23	19	19	250
125	440	250	270	210	220	184	188	3	8-Φ19	8-Φ28	19	19	344
150	440	285	300	240	250	210	218	3	8-Φ23	8-Φ28	19	20	344
200	612	340	360	295	310	265	274	3	12-Φ23	12-Φ28	20	22	468



## Air Valve Series

RZT Double ball air valve

DN40-DN100



### TECHNICAL SPECIFICATIONS

Flange standard according to ANSI B816.5/EN1092-2

performance specification		
Normal pressure	1.6MPa	2.5MPa
Suitable medium	Water	
test pressure	shell	24.0Bar 37.5Bar
	seat	17.6Bar 27.5Bar
Working temperature	≤80°C	

### MATERIALS OF PARTS

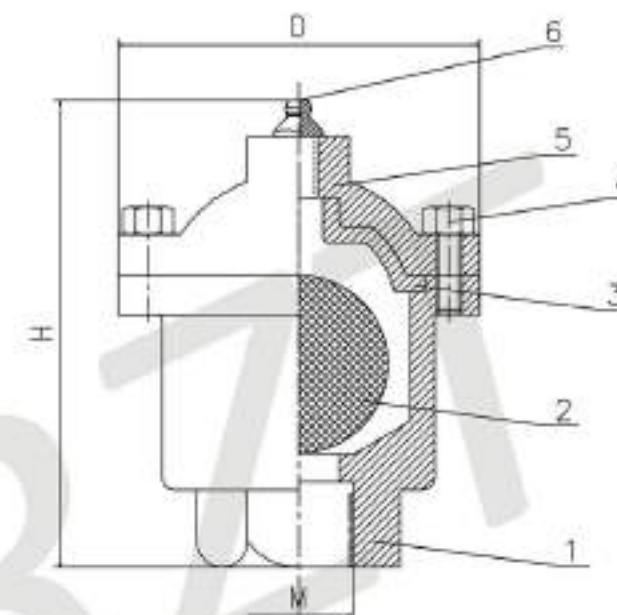
Item	Part name	Material
1	Body	GG25/CGG50
2	Floating Ball 1	Wood ball+EPDM
3	Bolt	SS201
4	Seal	EPDM
5	Cover	GG25/CGG50
6	Dust Cover	GG25/CGG50
7	Plug	Copper
8	Floating Ball 2	Wood ball+EPDM
9	Gasket	SS201
10	Seal	EPDM
11	Plug	Copper
12	Cover	GG25/CGG50
13	Screw Cap	SS201

### DIMENSIONS ASTE (mm)

DN	A	ΦD	ΦD1	ΦD2	f	g-Φf	h	H
Dn40-PN16	262	Φ150	Φ110	Φ94	3	4-Φ19	19	206
Dn40-PN25	262	Φ150	Φ110	Φ94	3	4-Φ19	19	206
Dn60-PN16	276	Φ165	Φ125	Φ99	3	4-Φ19	19	216
Dn60-PN25	276	Φ165	Φ125	Φ99	3	4-Φ19	19	216
Dn65-PN16	276	Φ185	Φ145	Φ118	3	4-Φ19	19	216
Dn65-PN25	276	Φ185	Φ145	Φ118	3	8-Φ19	19	216
Dn80-PN16	332	Φ200	Φ160	Φ132	3	8-Φ19	19	256
Dn80-PN25	332	Φ200	Φ160	Φ132	3	8-Φ19	19	256
Dn100-PN16	352	Φ220	Φ180	Φ154	3	8-Φ19	19	262
Dn100-PN25	352	Φ235	Φ190	Φ156	3	8-Φ23	19	262

## Air Valve Series

RZT Thread type single ball air valve



### MATERIALS OF PARTS

Item	Part name	Material	Standard
1	Body	Gray Cast Iron	BS1452.220
2	Ball Fllet	ABS	
3	Gasket	NBR	BS2494
4	Bolt	Carbon steel	BS1769
5	Bonnet	Gray Cast Iron	BS1452.220
6	Off Tonguet	Brass	BS2874 CA104

### DIMENSIONS ASTE (mm)

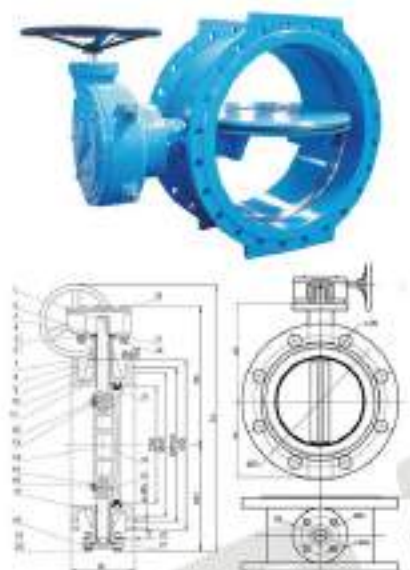
U	D	H
1/2" -3/4"	Φ88	120
1" -1 1/4"	Φ105	145
1 1/2" -2"	Φ128	172



## Butterfly Valve Series

RZT Double eccentric butterfly valve

DN50-DN1400



### TECHNICAL SPECIFICATIONS

- 1.Design: EN593, EN1074
- 2.Face to face : EN558 series 13
- 3.End Flange: EN 1092-2 PN10/16
- 4.Test: EN12268-1
- 5.Working pressure PN10/16
- 6.Working Temp: -10~80°C
- 7.Top flange: ISO 5211

### MATERIALS OF PARTS

Item	Part name	Material
1	C type key	45
2	Spacer ring	PTFE
3	O ring	NBR
4	Flat washer	20
5	Spring washer	65Mn
6	Outside hex bolt	S5
7	O ring	NBR
8	Upper Spring washer	PTFE
9	Upper shaft	2Cr13
10	Self lubricating bearing	Lead free carbon steel
11	Body	GJ5500
12	Outside hex bolt	SUS304
13	Upper pin cover	Steel
14	Disc	GJ5500
15	Lower pin cover	Steel
16	Tab washer	SUS304
17	Lower shaft	2Cr13
18	Bottom cover	GJ5500
19	Outside hex bolt	Steel
20	Bolt	Steel
21	O ring	NBR
22	Thrust bearing	E52100
23	Internal thread pin	35
24	Plug 1/2"	H62/SUS304
25	Body seal ring	EPDM
26	Sink screw	SUS304
27	Retaining plate	Q235
28	Gear box	

### DIMENSIONS ASTE (mm)

DN	L	D	D1	D2	e	f	n-φd	H1	H2	H3	φE1	n-φd1	BEC
50	108	160	125	102	15	3	4-φ18	80	110	65	50	4-φ8	8.5
65	112	180	145	122	17	3	4-φ18	80	134	65	50	4-φ8	9
80	114	195	160	133	17	3	8-φ18	95	131	65	50	4-φ8	10
100	127	215	180	158	19	3	8-φ18	114	150	90	70	4-φ10	15
125	140	245	210	184	21	3	8-φ18	113	170	90	70	4-φ10	17
150	140	280	240	212	21	3	8-φ22	139	180	90	70	4-φ10	19
200	152	335	295	268	21	3	8-φ22	175	210	125	102	4-φ12	35
250	165	390	350	320	23	3	12-φ22	203	245	125	102	4-φ12	42
300	174	440	400	370	25	4	12-φ22	235	320	125	102	4-φ12	61
350	190	500	460	430	28	4	16-φ26	267	388	125	102	4-φ12	92
400	216	585	515	482	38	4	16-φ27	378	378	197	140	4-φ18	122
600	230	670	620	585	42	4	20-φ27	448	448	197	140	4-φ18	163
600	270	780	725	685	48	5	20-φ30	518	518	278	165	4-φ18	240
700	292	805	840	800	54	5	24-φ30	580	590	300	254	4-φ18	390
800	318	1010	950	905	58	5	24-φ33	620	620	300	254	4-φ18	434
900	330	1110	1050	1005	62	5	28-φ33	682	682	300	254	8-φ18	562
1000	410	1220	1160	1110	65	5	28-φ33	735	735	300	254	8-φ18	948
1200	470	1455	1380	1330	75	5	32-φ39	917	917	350	298	8-φ22	1420
1400	530	1675	1590				36-φ42	900	900	415	368	8-φ32	

## Butterfly Valve Series

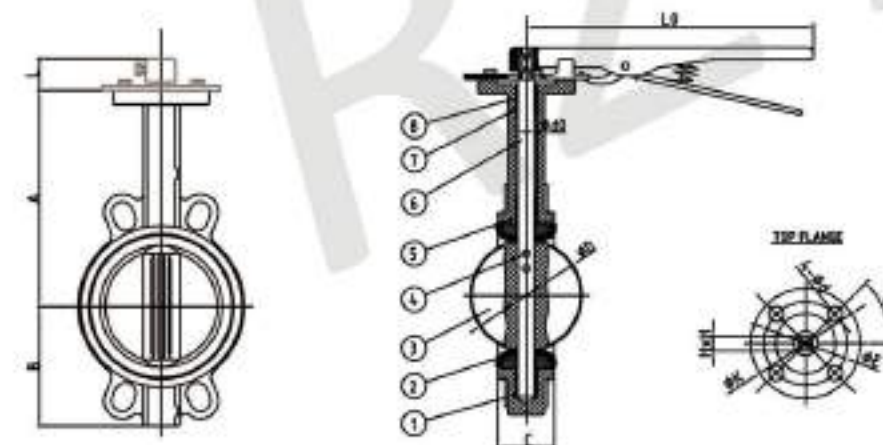
RZT Wafer butterfly valve



Test pressure		
	shell	seat
Hydrostatic	15kg/cm <sup>2</sup>	11kg/cm <sup>2</sup>
Standard		
Design code	API609	
Inspection&test	API598	
end standard	ANSI100,ISO10K,DIN PN10/16	
Face to Face	API609	

### MATERIALS OF PARTS

Item	Part name	Material
1	Body	GG25
2	Seat	PTFE
3	Disc	DJ
4	Pin	SS410
5	Long bushing	PTFE
6	Shaft	SS410
7	Short bushing	PTFE
8	O ring	EPDM
9	Lever	



### DIMENSIONS ASTE (mm)

SIZE	A	B	C	D	HD	FOH	L	LD	ISO5211	e	F	n-φd
2"	161	90	43	52.9	12.8	9	32	255	F05	65	50	4-φ7
2.5"	175	99	48	64.5	12.8	9	32	255	F05	65	50	4-φ7
3"	191	95	45	78.8	12.8	9	32	255	F05	65	50	4-φ7
4"	200	114	52	104	15.77	11	32	255	F07	90	70	4-φ10
5"	213	127	55	123.3	18.92	14	32	255	F07	90	70	4-φ10
6"	226	139	55	155.6	18.92	14	32	255	F07	90	70	4-φ10
8"	260	175	60	202.5	22.1	17	45	368	F10	125	102	4-φ12
10"	292	203	68	250.5	26.45	22	45	368	F10	125	102	4-φ12
12"	337	242	78	301.6	31.8	22	45	505	F10	125	102	4-φ12
14"	368	267	78	333.5	31.8	22	45	505	F10	125	102	4-φ12



## Flap Valve Series

RZT Flap valve

DN50-DN600



### TECHNICAL SPECIFICATIONS

- Design: MSS SP-85
  - Size: DN50-DN600
  - Flange end drilling: EN1092 PN10/PN16
  - Connection: Flange
  - Body: GJ5500-7
  - Disc: GJ5500-7
  - Stem: Stainless steel
  - Seat: EPDM/NBR soft seated or Brass metal seated
  - Bolt & Nut: A2-70/A4-70
- Internal & External Fusion bonded epoxy coating above 300microns

### MATERIALS OF PARTS

Item	Part name	Material
1	Body	GGG50
2	Flap	GGG50
3	Body seat	Brass
4	Body seat	Brass
5	Stem	SS420
6	Pin	SS304

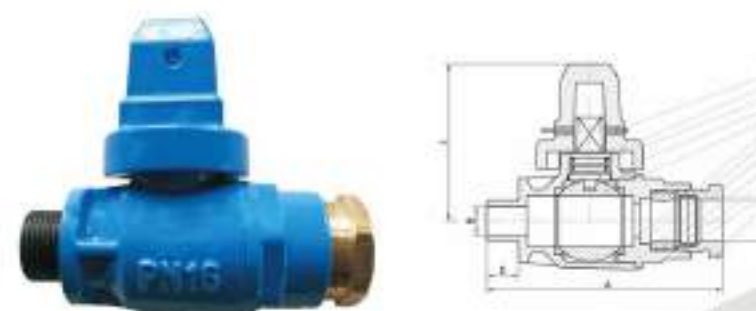
### DIMENSIONS ASTE (mm)

DN	PN	D	D1	D2	h	f	n-Φd	L	H
50	1.6	Φ185	Φ125	Φ89	19	3	4-Φ19	90	50
65	1.6	Φ185	Φ145	Φ119	19	3	4-Φ19	95	58
80	1.6	Φ200	Φ180	Φ132	19	3	8-Φ19	100	67
100	1.6	Φ220	Φ180	Φ155	19	3	8-Φ19	110	77
125	1.6	Φ250	Φ210	Φ184	19	3	8-Φ19	115	90
150	1.6	Φ285	Φ240	Φ211	19	3	8-Φ23	10	106
200	1.6	Φ340	Φ295	Φ266	20	3	12-Φ23	136	130
250	1.6	Φ405	Φ355	Φ319	22	4	12-Φ28	165	160
300	1.6	Φ460	Φ410	Φ370	24.5	4	12-Φ28	180	187
350	1.6	Φ520	Φ470	Φ429	25.5	4	16-Φ28	186	215
400	1.6	Φ580	Φ525	Φ480	28	4	16-Φ31	225	243
450	1.6	Φ640	Φ585	Φ548	30	4	20-Φ31	245	271
500	1.6	Φ715	Φ650	Φ609	31.5	4	20-Φ34	275	300
600	1.6	Φ840	Φ770	Φ720	35	5	20-Φ37	315	353

## ANSI Ball Valve Series

RZT ANSI ball valve

DN15-DN250



### MATERIALS OF PARTS

Item	Material
1	Brass / Bronze
2	Brass
3	Brass
4	EPDM/NBR
5	Bronze/Ductile Iron
6	Bronze/Ductile Iron
7	PTFE
8	Bronze/Stainless Steel
9	Brass/Bronze/Stainless Steel
10	EPDM/NBR
11	Ductile Iron
12	Steel

### SIZES AND DIMENSIONS (mm)

Nominal Size	Face to Face (mm)	A	B	C	D	E
1/2"	20	116.50	15	77.5	16	21
3/4"	25	119.50	20	77.5	16	26
1"	32	122.00	25	77.5	18	33
1 1/4"	40	155.50	32	77.5	20	41
1 1/2"	50	164.00	40	92.0	23	51
2"	63	182.00	50	92.0	26	64



### TECHNICAL SPECIFICATIONS

- Design: MSS SP-70
- Face to face: ANSI B16.10
- Flange: ANSI B16.1 or B16.5

### MATERIALS OF PARTS

Item	Part name	Material
1	Body	Cast iron or ductile iron
2	Ball	SS304 or SS316
3	Seat	PTFE
4	Stem	2Cr13 or SS304 or SS316

### DIMENSIONS ASTE (mm)

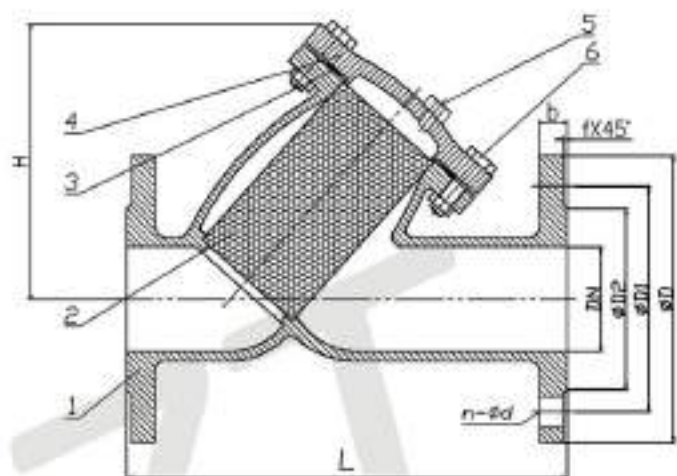
DN	15	20	25	32	40	50	65	80	100	125	150	200	250
L	106	117	127	140	165	178	190	203	228	266	294	457	533
H	78	113	107	113	130	146	176	222	222	250	275	340	400
D	89	96.6	106	117	127	152	176	191	229	254	279	343	406



## Strainers Series

RZT Y-Strainers

DIN/BS/ANSI DN40-DN500

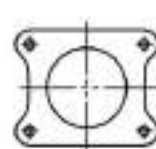


### TECHNICAL SPECIFICATIONS

1. Face to face is according to DIN3202-F1
2. Flange drilled is according to EN1092-2/PN16
3. Fusion Bonded Epoxy Coating above 300 microns

DN50-DN100

DN125-DN500



Working pressure	PN16
Shell pressure	24Bar
Seat pressure	17.6Bar

### MATERIALS OF PARTS

Item	Part name	Material
1	Body	GGG50
2	Screen	SS304
3	Cover gasket	EPDM
4	Cover	GGG50
5	Plug	A2-70
6	Bolt nut	A2-70

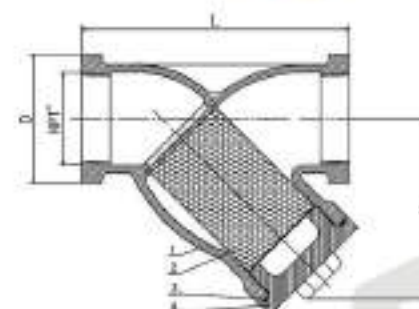
### DIMENSIONS ASTE (mm)

DN	L	D	D1	D2	D3	n	f	n-d	H
40	200	150	110	84	19	3	4-φ19	122	
50	230	166	125	102	19	3	4-φ19	135	
65	290	186	145	122	19	3	4-φ19	155	
80	310	200	160	138	19	3	8-φ19	172	
100	350	220	180	158	19	3	8-φ19	220	
125	400	250	210	188	19	3	8-φ19	242	
150	480	285	240	212	19	3	8-φ23	300	
200	600	340	295	268	20	3	12-φ23	360	
250	730	405	355	320	22	3	12-φ28	470	
300	850	460	410	378	24.5	4	12-φ28	506	
350	980	520	470	429	25.5	4	16-φ28	580	
400	1100	580	525	480	28	4	16-φ31	670	
450	1200	640	585	548	30	4	20-φ31	740	
500	1250	715	650	609	31.5	4	20-φ34	800	

## Strainers Series

RZT Thread Y-Strainers

DIN/BS/ANSI DN25-DN80



### MATERIALS OF PARTS

Item	Part name	Material
1	Body	GG25/GGG50
2	Screen	SS304
3	O ring	NBR
4	Cover	GG25/GGG50

test pressure	shell	450Psi
	seat	330Psi
Working temperature		-20-80°C

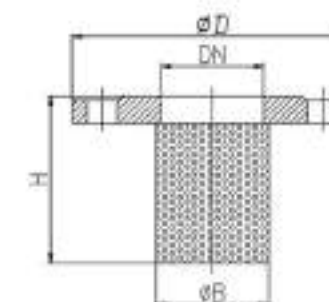
### DIMENSIONS ASTE (mm)

NPT	1"	1 1/4"	1 1/2"	2"	2 1/2"	3"
L	115	137	160	191	230	230
D	51.5	61	73	85	105	124
H	85	102	123	137	147	175

## Filter

RZT Flanged inlet strainer

DN40-DN600



### MATERIALS OF PARTS

Item	Part name	Material
1	Body	GGG50
2	Strainer	SS304
3	Flange drilled	EN1092-2

### DIMENSIONS ASTE (mm)

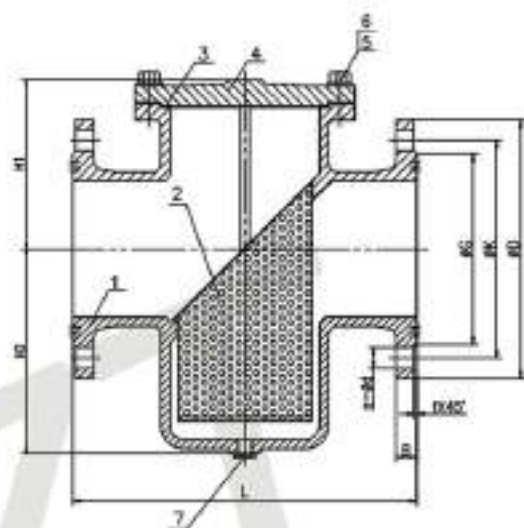
DN	40	50	65	80	100	125	150	200	250	300	350	400	450	500	600
L	80	90	130	130	160	200	225	300	350	425	450	525	550	650	750
D	150	165	185	200	220	250	285	340	395	445	505	565	615	670	785
H	80	80	80	90	110	140	165	220	275	327	368	411	452	513	616



## Strainers Series

RZT Basket strainer

DIN/BS/ANSI DN50-DN600



### TECHNICAL SPECIFICATIONS

1. Face to face is according to ANSI B16.10
2. Flange drilled is according to EN1092-2

Nominal pressure	1.0MPa
Test medium	Water
Strength test pressure	15.0Bar
Seal test pressure	11.0Bar
Working temperature	≤100°C

### MATERIALS OF PARTS

Item	Part name	Material
1	Body	GGG50
2	Screen	SS304
3	Cover gasket	EPDM
4	Cover	GGG50
5	Bolt	A2-70
6	Bolt nut	A2-70
7	Plug	Galvanized steel BS1760

### DIMENSIONS ASTE (mm)

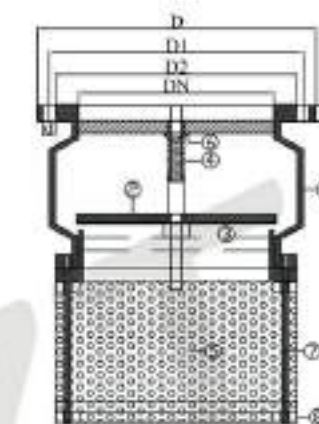
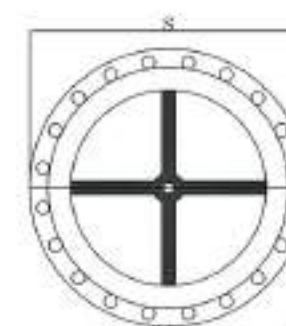
Pn16

DN	L	D	C	B	R	f	n-Ød	H1	H2
50	207	165	125	90	19	3	4-Ø19	114	98
65	210	165	145	119	19	3	4-Ø19	129	112
80	251	200	160	134	19	3	8-Ø19	142	125
100	292	220	180	156	19	3	8-Ø19	165	160
125	334	250	210	184	19	3	8-Ø19	173	165
150	378	285	240	211	19	3	8-Ø23	165	235
200	475	340	295	266	20	3	12-Ø23	215	295
250	511	405	355	319	22	3	12-Ø28	325	340
300	667	460	410	370	24.5	3	12-Ø28	263	423
350	760	520	470	430	25.5	4	16-Ø28	345	505
400	842	580	525	482	28	4	16-Ø31	350	550
450	890	640	585	540	30	4	20-Ø31	402	628
500	900	715	650	611	31.5	4	20-Ø34	441	695
600	1000	840	770	710	35	5	20-Ø37	523	804

## Foot Valve Series

RZT Foot valve

DN50-DN450



### TECHNICAL SPECIFICATIONS

1. Design: Foot Valve
2. Face to face: DIN2533-PN16
3. Flange standard: BS EN1092-2:1997 Pn16
4. Tests standard: BS EN 12266-1:2003

Working pressure	Pn10	Pn16
Shell pressure	15Bars	24Bars
Seat pressure	11Bars	17.6Bars
Working temperature	-20-80°C	

### MATERIALS OF PARTS

Item	Part name	Material
1	Body	Ductile iron EN-GJS500-7
2	Disc	Ductile iron EN-GJS500-7
3	Disc Sealing	NBR
4	Regulation Spring	Stainless Steel SS304
5	Strainer	Stainless Steel SS304
6	Bearing	Brass
7	Support	Carbon steel
8	Fixing Nut	Carbon steel

### DIMENSIONS ASTE (mm)

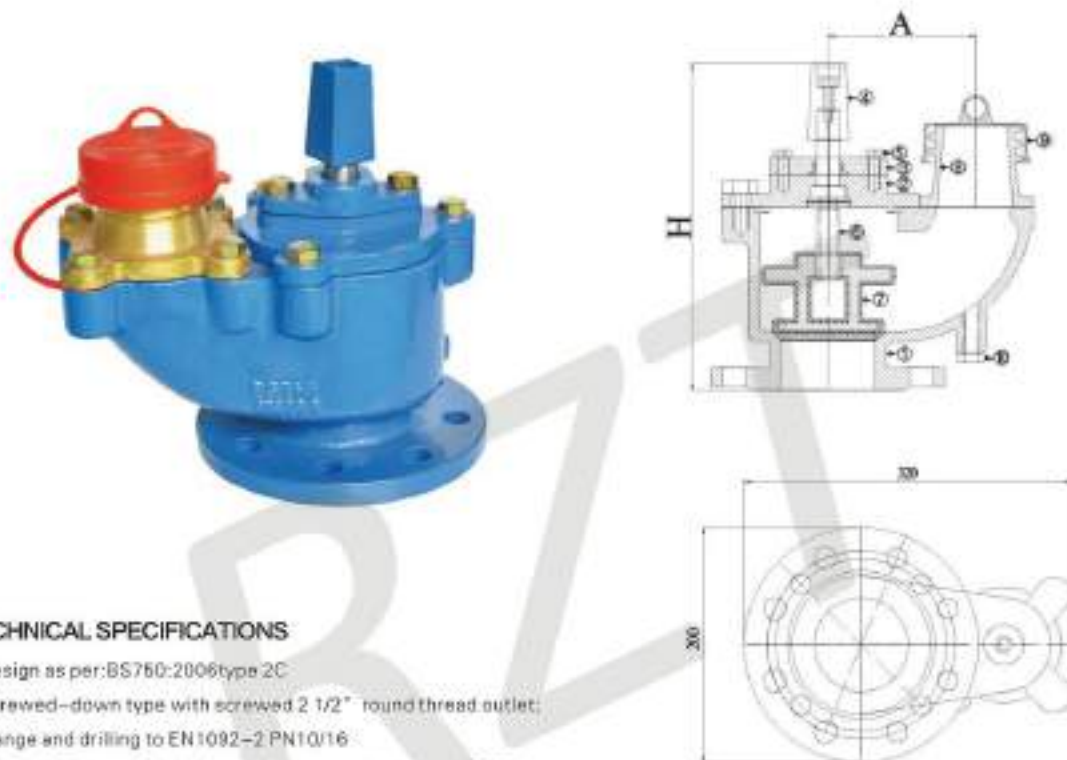
DN	Pn(Mpa)	D	C1	C2	H	f	n-Ød	H1	S	H2
50	1.6	165	125	102	20	3	4-Ø18	195	165	10.50
65	1.6	165	145	122	20	3	4-Ø18	220	165	14.50
80	1.6	200	160	136	22	3	8-Ø18	240	200	16.30
100	1.6	220	180	158	24	3	8-Ø18	365	220	22.50
125	1.6	250	210	188	25	3	8-Ø18	320	250	27.60
150	1.6	285	240	212	26	3	8-Ø23	370	285	35.50
200	1.6	340	295	258	30	3	12-Ø23	460	340	55.70
250	1.6	405	355	320	32	3	12-Ø28	560	405	73.20
300	1.6	460	410	378	32	4	12-Ø28	670	460	80.50
350	1.6	520	470	438	35	4	16-Ø28	750	520	102.70
400	1.6	580	525	490	36	4	16-Ø30	840	580	135.60
450	1.6	640	585	550	40	4	20-Ø30	900	640	162.90



## Fire Hydrant Valve Series

RZT Underground fire hydrant

BS750/PN10/PN16/DN80-DN100



### TECHNICAL SPECIFICATIONS

1. Design as per:BS750:2006type 2C
2. Screwed-down type with screwed 2 1/2" round thread outlet;
3. Flange and drilling to EN1092-2 PN10/16
4. Internal&External Fusion bonded epoxy coating above 300 microns

### MATERIALS OF PARTS

Item	Part name	Material
1	Body	Ductile IRON, BSEN1563 GJS500-7
2	Bonnet	Ductile IRON, BSEN1563 GJS500-7
3	Gand cover	Ductile IRON, BSEN1563 GJS500-7
4	Stem cap	Ductile IRON, BSEN1563 GJS500-7
5	Bolt	A2-7
6	Stem	SS420/SS304/SS316
7	Disc	Ductile iron, BSEN1563 GJS500-7+EPDM
8	Outlet	Gunmetal
9	Dust cap	Polythylene
10	Plug	SS304

### DIMENSIONS ASTE (mm)

DN	DN	L	H	L1	Weight
25-285-32X11000	80	200	288	126	19
29-285-32X11000	100	220	288	126	22

When ordering: X=1 for fixed stopper and 2 for 100se

## Fire Hydrant Valve Series

RZT Fire hydrant valve

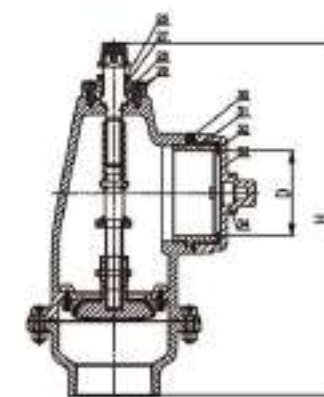


### DIMENSIONS ASTE (mm)

DNPT	L	D	DN	H
4"	370.5	123	64	506

### MATERIALS OF PARTS

Item	Part name	Material
1	Body	Ductile iron
2	Disc	Ductile iron+EPDM
3	Disc frame	Ductile iron
4	Seat	Ductile iron
5	O ring	NBR
6	Screw	Stainless steel
7	Limiting rod	Stainless steel
8	Double joint	HSB
9	O ring	NBR
10	Outlet cover	GGG50
11	Copper sleeve	Brass
12	O ring	NBR
13	O ring	NBR
14	Screw	Stainless steel
15	Cap top	Ductile iron
16	Screw	BB
17	Thread stem	Stainless steel
18	Curb chain	Stainless steel
19	Gasket	EPDM
20	Pin	Stainless steel
21	Limiting plate	Stainless steel
22	Pin	Stainless steel
23	Screw	Stainless steel
24	O ring	NBR
25	Bottom cover	Ductile iron
26	Dust ring	EPDM
27	O ring	NBR
28	Upper cover	Ductile iron
29	Gasket	PTFE
30	O ring	NBR
31	Double joint	Brass
32	Gasket	EPDM
33	Outlet cover	Ductile iron
34	Curb chain	Stainless steel

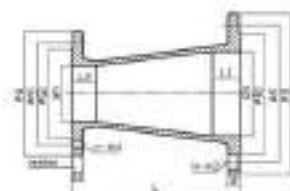




## Pipe Fitting Series

RZT Double flanged taper

BS4772/DN65-DN200



### TECHNICAL SPECIFICATIONS

1. Design : ISO2531/EN545/BS4772

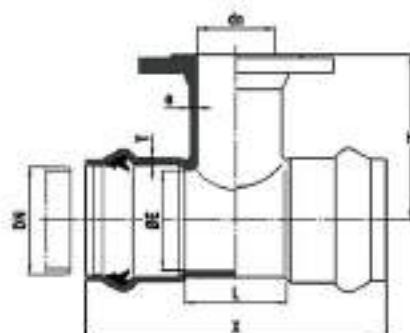
2. Flange : EN1092-2

### DIMENSIONS ASTE (mm)

DN	65	80	80	100	100	100	150	150	150	150	200	200	200
DN	65	80	80	100	100	100	150	150	150	150	200	200	200
DN	65	80	80	100	100	100	150	150	150	150	200	200	200
DN	65	80	80	100	100	100	150	150	150	150	200	200	200
DN	65	80	80	100	100	100	150	150	150	150	200	200	200
DN	65	80	80	100	100	100	150	150	150	150	200	200	200

RZT Double socket tees with flanged branch

BS4772/DN63-DN400



### TECHNICAL SPECIFICATIONS

1. Design : ISO2531/EN545/BS4772

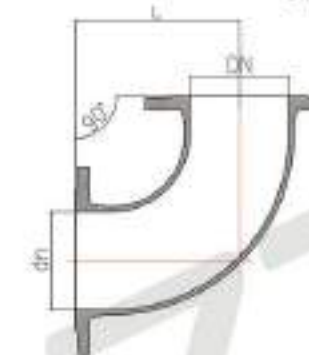
### DIMENSIONS ASTE (mm)

DN	63	75	90	110	110	125	125	140	160	200	225	250	315	355	400
DN	63	75	90	110	110	125	125	140	160	200	225	250	315	355	400
DN	63	75	90	110	110	125	125	140	160	200	225	250	315	355	400
DN	63	75	90	110	110	125	125	140	160	200	225	250	315	355	400
DN	63	75	90	110	110	125	125	140	160	200	225	250	315	355	400
DN	63	75	90	110	110	125	125	140	160	200	225	250	315	355	400

## Pipe Fitting Series

RZT Double flanged bend

EN1092-2/DN50-DN600



### TECHNICAL SPECIFICATIONS

1. Design : ISO2531/EN545/BS4772

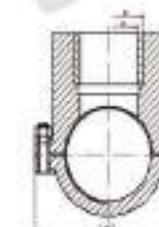
2. Flange : EN1092-2

### DIMENSIONS ASTE (mm)

DN	50	65	80	100	125	150	200	250	300	350	400	500	600
DN	50	65	80	100	125	150	200	250	300	350	400	500	600
DN	50	65	80	100	125	150	200	250	300	350	400	500	600
DN	50	65	80	100	125	150	200	250	300	350	400	500	600
DN	50	65	80	100	125	150	200	250	300	350	400	500	600
DN	50	65	80	100	125	150	200	250	300	350	400	500	600

RZT Joint collar

BS4772/DN50-DN225



### TECHNICAL SPECIFICATIONS

1. Design : ISO2531/EN545/BS4772

2. Flange : EN1092-2

### DIMENSIONS ASTE (mm)

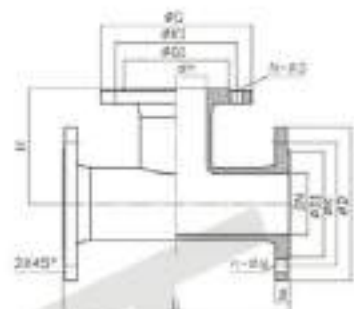
DN	W				H				L	L1
	R1°	R1=1/8°	R1=1/2°	R2°	R1°	R1=3/8°	R1=1/2°	R2°		
50	27				56				110	80
63	27	33	40	40	57	62	62	68	124	100
75	27	33	40	50	63	68	68	73	135	110
90	27	33	40	50	71	75	75	80	150	110
110	27	33	40	50	81	85	85	90	170	120
125	27	33	40	50	87	90	90	98	192	120
140	27	33	40	50	95	100	100	105	208	130
160	27	33	40	50	106	111	111	116	230	150
200	27	33	40	50	132	132	132	137	282	180
225	27	33	40	50	143	145	145	150	310	180



## Pipe Fitting Series

RZT All flanged tees

BS4772/DN50-DN300



### TECHNICAL SPECIFICATIONS

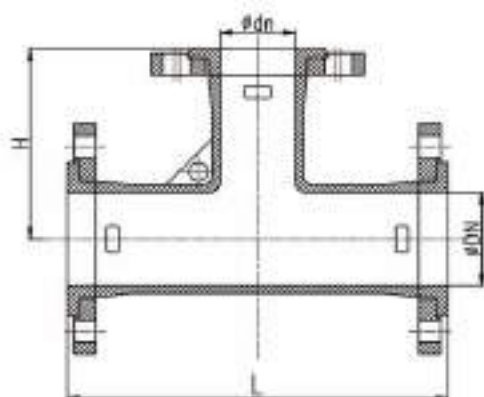
1. Design : ISO2531/EN545/BS4772
2. Flange : EN1092-2

### DIMENSIONS ASTE (mm)

DN	50	50	60	100	100	100	100	150	150	150	150	150	150	200	200	200	200	200	250	300
dn	50	60	60	50	65	60	100	50	65	60	100	150	50	60	100	150	200	250	300	
L	250	300	300	400	400	400	400	500	500	500	500	500	600	600	600	600	600	600	600	600
H	125	150	150	150	150	175	200	150	150	200	200	250	200	200	200	250	300	300	300	300

RZT Double socket tees with flanged branch

BS4772/DN50-DN200



### TECHNICAL SPECIFICATIONS

Design : ISO2531/EN545/BS4772

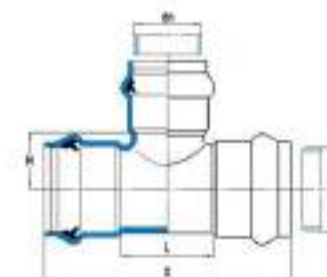
### DIMENSIONS ASTE (mm)

DN	50	50	65	65	80	80	80	100	100	150	150	150	150	200	200	200	200	200	200	200
dn	40	50	50	65	50	65	60	50	60	100	150	50	50	65	60	100	150	200		
L	300	300	330	305	330	330	330	440	440	440	440	520	520	520	520	520	520	520	520	520
H	140	150	150	150	165	165	165	205	205	205	205	220	220	220	220	220	220	220	220	220

## Pipe Fitting Series

RZT All socket tees

BS4772/DN50-DN315



### TECHNICAL SPECIFICATIONS

Design : ISO2531/EN545/BS4772

### DIMENSIONS ASTE (mm)

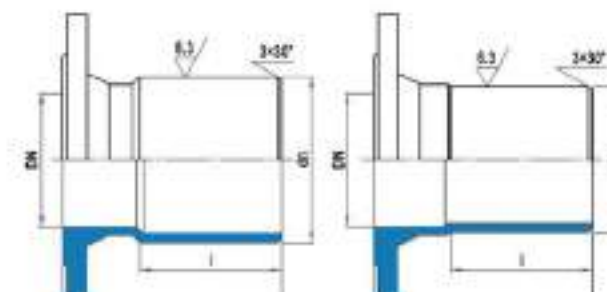
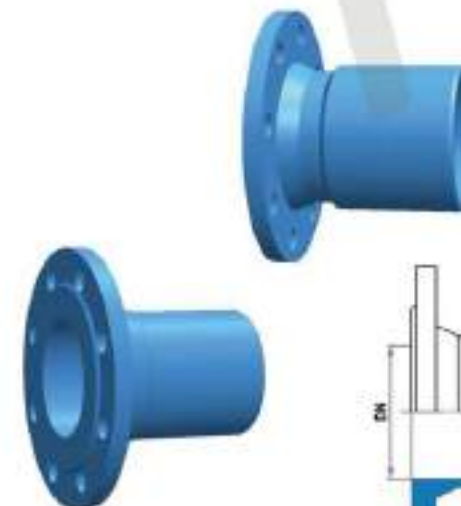
DN	50	63	75	75	90	90	90	90	110	110	110	110	110	125	125	125	125	125	150	150	160	160	160	160	160	160	200	200	200	
dn	50	63	63	75	50	63	75	90	50	63	75	90	110	50	63	75	90	110	125	160	50	63	75	90	110	125	160	50	63	75
L	60	65	95	110	90	104	115	130	90	105	120	140	160	90	105	120	135	160	160	95	110	125	140	170	180	220	100	115	135	
H	40	48	55	55	65	65	65	65	80	80	80	80	80	80	85	85	85	85	90	90	105	105	105	110	110	110	125	125	130	
X	238	264	272	287	281	295	306	321	294	309	324	344	364	303	318	333	348	373	333	333	348	363	378	408	418	458	360	375	395	

### DIMENSIONS ASTE (mm)

DN	200	200	200	200	200	225	225	225	225	225	225	225	225	225	250	250	250	250	250	250	250	250	250	250	250	250	315	315	315	315
dn	90	110	125	160	200	60	63	75	90	110	125	160	200	225	50	63	75	90	110	125	160	200	225	250	50	63	75	90		
L	155	160	195	230	270	105	120	140	160	185	200	235	275	300	110	125	150	175	200	215	250	290	315	340	115	130	150	175		
H	135	135	135	135	135	140	140	145	150	150	150	150	150	150	155	155	160	170	170	170	170	170	170	170	170	170	190	190	195	200
X	415	440	455	490	530	362	397	417	437	462	477	512	552	577	405	420	445	470	495	510	545	585	610	635	452	467	487	512		

RZT Flanged spigot

DN32-DN200



### TECHNICAL SPECIFICATIONS

1. Design : ISO2531/EN545/BS4772

### DIMENSIONS ASTE (mm)

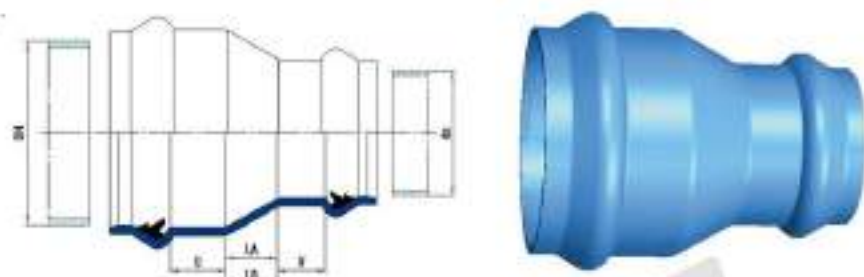
DN	32	40	50	60	60	65	80	100	100	125	125	150	150	200	200
dn	40	50	63	63	75	75	90	110	125	125	140	160	180	200	225
L	65	90	95	95	100	100	105	110	115	115	120	130	135	140	150
H	140	150	155	155	160	160	165	170	175	175	180	190	195	205	215
TYPE	B	B	A	B	A	B	B	B	A	B	A	B	A	B	A



## Pipe Fitting Series

RZT PVC double socket tapers

DN50-DN315



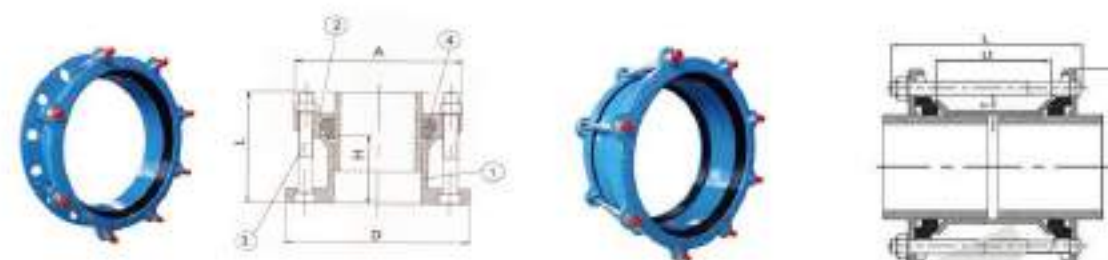
DIMENSIONS ASTE (mm)

DN	in	U	V	LA	Mass(kg)	LB	Mass(kg)
50	40	40	38	70	2.00	20	1.50
63	50	42	40	70	2.27	20	1.76
75	63	42	42	80	3.05	20	2.30
90	50	44	40	80	3.23	30	2.59
90	63	44	42	80	3.56	25	2.78
90	75	44	42	80	3.92	20	2.99
110	63	47	42	100	5.40	35	3.40
110	75	47	42	120	5.26	35	3.78
110	90	47	44	85	5.19	30	4.24
125	75	49	42	150	7.18	55	4.64
125	90	49	44	135	6.78	45	4.92
125	110	49	47	100	6.75	40	5.39
140	75	51	42	190	8.07	55	5.27
140	90	51	44	135	7.56	45	5.50
140	110	51	47	100	7.47	40	6.00
140	125	51	49	100	8.05	40	6.48
160	90	54	44	190	10.01	55	6.66
160	110	54	47	150	9.63	50	7.13
180	125	54	49	100	9.08	40	7.35
180	140	54	51	100	9.79	40	7.96
180	90	57	44	250	12.87	90	8.47
180	110	57	47	250	13.86	80	8.67
180	125	57	49	200	13.20	70	9.11
180	140	57	51	145	12.32	65	9.63
180	160	57	54	145	13.42	60	10.38
200	90	60	44	250	13.97	95	9.46
200	110	60	47	250	15.07	85	9.85
200	125	60	49	280	15.84	75	10.09
200	140	60	51	200	15.18	70	10.62
200	160	60	54	145	14.30	70	11.55
200	180	60	57	145	15.51	60	12.10
225	125	64	49	280	17.80	90	11.66
225	140	64	51	200	16.94	75	12.16
225	160	64	54	145	16.01	70	12.98
225	180	64	57	145	17.11	65	13.64
225	200	64	60	145	18.04	60	14.30
250	125	66	49	300	22.00	95	13.86
250	160	66	54	280	22.55	90	15.40
250	200	66	60	150	20.20	80	16.76
280	160	72	54	280	24.67	100	17.60
280	200	72	60	150	22.00	80	18.39
280	250	72	66	150	25.61	60	20.30
315	200	78	60	280	31.24	105	22.88

## Pipe Fitting Series

RZT Flange adaptor & coupling

DN40-DN1000



TECHNICAL SPECIFICATIONS

The flange is according to ISO2531/EN1092-2

DIMENSIONS ASTE (mm)

DN	RANGE		DIAM. C	SLEEVE (total length)			BOLTS
	MIN	MAX		D	H	L	
40	48	63	150	75	135	2-M12X130	
50	59	72	165	75	135	2-M12X130	
65	72	85	185	75	135	2-M12X130	
80	88	103	200	75	135	4-M12X130	
100	93	117	220	75	135	4-M12X130	
100	108	128	220	75	135	4-M12X130	
125	132	146	250	75	135	4-M12X130	
125	138	153	250	75	136	4-M12X130	
150	155	175	285	75	145	4-M12X140	
150	159	182	285	75	145	4-M12X140	
200/175	182	210	340	75	145	4-M12X140	
200	215	235	340	75	145	4-M12X140	
225	235	252	400	85	145	6-M12X140	
225	250	257	400	85	145	6-M12X140	
250	272	289	400	85	145	6-M12X140	
300	315	332	455	100	145	6-M12X140	
300	322	339	455	110	145	6-M12X140	
350	361	378	520	115	185	8-M16X180	
350	374	391	520	115	185	8-M16X180	
400	400	429	590	115	188	8-M16X180	
400	417	437	590	115	188	8-M16X180	
450	455	472	640	115	188	10-M16X180	
450	457	492	640	115	188	10-M16X180	
450	470	505	640	115	188	10-M16X180	
450	480	500	640	115	188	10-M16X180	
500	500	532	715	130	188	10-M16X180	
500	525	546	715	130	188	10-M16X180	
500	555	572	715	130	188	10-M16X180	
600	600	635	840	135	188	10-M16X180	
600	630	650	840	135	188	10-M16X180	
700	710	745	910	135		12-M16X180	
800			1025	115		12-M16X180	
1000			1256	115		14-M16X180	

bigger range

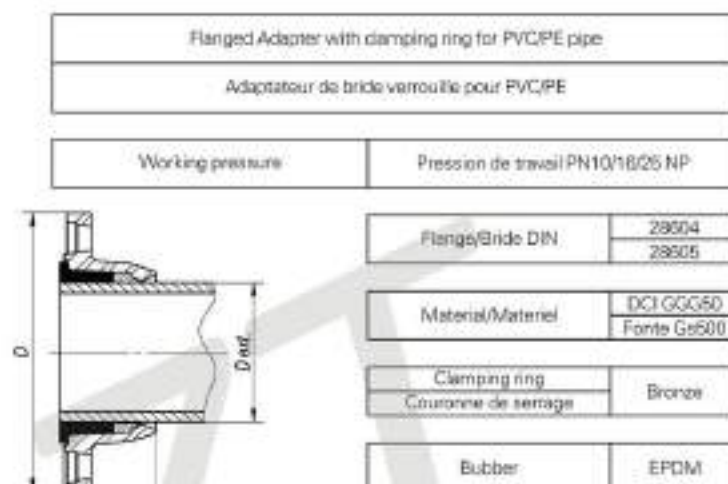
DN	RANGE		DIAM. D	SLEEVE (total length)			BOLTS
	MIN	MAX		H	L	NR BOLTS	
50	45	78	165	70	138	2-M12X135	
50	57	74	165	75	138	2-M12X135	
60/65	63	85	185	75	138	4-M12X135	
80	84	106	200	75	138	4-M12X135	
100	107	133	220	75	138	4-M12X135	
125	132	159	250	75	138	4-M12X135	
150	157	184	285	75	138	4-M12X135	
175/200	194	207	340	75	143	4-M12X140	
200	206	225	340	75	143	6-M12X140	
200	216	240	340	75	143	6-M12X140	
225/250	242	268	400	85	148	6-M12X145	
250	266	297	400	85	148	6-M12X145	
250	280	305	400	85	163	6-M12X160	
300	301	327	455	90	143	6-M12X140	
300	314	349	455	90	143	6-M12X140	
300	324	350	455	90	143	6-M12X140	
300	345	375	455	110	163	6-M12X160	
350	365	415	520	125	223	8-M14X180	
400	396	415	590	108	183	8-M14X180	
400	408	436	590	108	183	8-M14X180	
400	425	459	590	108	183	8-M14X180	
400	470	505	590	120	183	10-M14X180	
500	500	565	715	108	183	10-M14X180	
600	610	645	840	108	183	10-M16X180	



## Pipe Fitting Series

RZT Quick adaptor

DN50-DN400



### DIMENSIONS ASTE (mm)

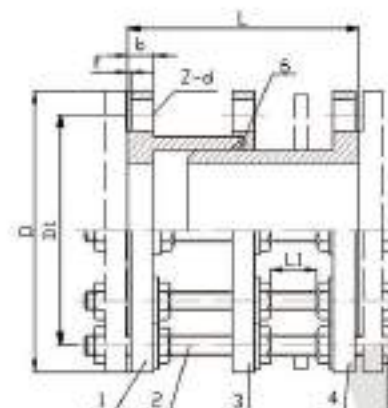
bigger range

DN	RANGE		D	DUEW		BOLTS	DN	D		DUEW	BOLTS	DN	D		DUEW	BOLTS
	MIN	MAX		LI	Lmm			MIN	MAX				LI	Lmm		
40	48	60	150	102	185	2-M12X180	50	45	78	165	102	210	2-M12X205			
50	59	72	180	102	185	2-M12X180	50	57	74	165	102	210	2-M12X205			
65	72	85	189	102	185	2-M12X180	60/65	63	85	165	102	210	4-M12X205			
80	88	103	200	102	185	4-M12X180	80	84	107	200	102	210	4-M12X205			
100	93	117	217	102	185	4-M12X180	100	107	133	235	102	210	4-M12X205			
100	106	128	217	102	185	4-M12X180	125	132	159	255	102	210	4-M12X205			
125	132	148	246	102	185	4-M12X180	150	157	184	265	102	210	4-M12X205			
125	138	153	254	102	185	4-M12X180	175/200	184	207	320	102	225	4-M12X220			
150	155	175	270	102	205	4-M12X200	200	208	225	340	102	225	4-M12X220			
150	159	182	276	102	205	4-M12X200	200	216	246	360	102	225	4-M12X220			
175/200	192	210	310	130	225	4-M12X220	225/250	242	268	380	102	235	4-M12X230			
200	218	235	303	130	225	4-M12X220	250	266	297	410	102	235	4-M12X230			
225	235	252	365	130	235	6-M12X230	250	280	306	420	102	235	4-M12X230			
225	250	267	360	130	235	6-M12X230	300	301	327	440	102	235	4-M12X230			
250	272	289	360	130	235	6-M12X230	300	314	349	440	102	235	4-M12X230			
250	280	306	380	130	235	6-M12X230	300	324	360	465	102	235	6-M12X230			
300	315	332	433	130	235	6-M12X230	300	345	375	490	102	255	6-M12X250			
350	351	378	518	150	255	8-M16X250	400/350	386	415	556	130	278	8-M16X270			
350	374	391	516	150	255	8-M16X250	400	408	436							
400	400	429	563	150	255	8-M16X250	400	425	459							
400	417	437	568	150	255	8-M16X250	400	470	505							
450	456	472	568	150	255	8-M16X250	500	530	565							
500	500	532	690	150	255	10-M18X250	600	610	645							
500	526	546	675	150	255	10-M18X250										
600	600	630	780	150	255	10-M18X250										
600	630	650	782	150	255	10-M18X250										
700	710	745														

## Pipe Fitting Series

RZT dismantling joint

PN10/PN16/DN50-DN1200



PN10

DN	R	D1	L	L1	L2	Z-d	Num.
50	165	175	3	19	200	30	4-Φ19 M16X305
65	185	145	3	19	200	30	4-Φ19 M16X305
80	200	180	3	19	200	30	8-Φ19 M16X305
100	220	180	3	19	210	30	8-Φ19 M16X315
125	250	210	3	19	210	30	8-Φ19 M16X315
150	285	240	3	19	210	30	8-Φ23 M20X320
200	340	296	3	20	230	35	8-Φ23 M20X340
250	395	350	3	22	230	35	12-Φ23 M20X345
300	445	400	4	24.5	230	35	12-Φ23 M20X350
350	505	460	4	24.5	270	40	16-Φ23 M20X380
400	565	515	4	24.5	270	40	16-Φ28 M24X385
500	670	620	4	26.5	280	40	20-Φ28 M24X415
600	780	725	5	30	300	40	20-Φ31 M27X450
700	895	840	5	32.5	320	40	24-Φ31 M27X480
800	1015	950	5	35	340	45	24-Φ34 M30X520
900	1115	1050	5	35	340	45	28-Φ34 M30X520
1000	1230	1160	5	40	360	45	28-Φ37 M33X550
1100	1340	1270	5	42.5	360	45	32-Φ37 M33X550
1200	1455	1380	5	45	320	45	32-Φ40 M36X580

### MATERIALS OF PARTS

Item	Part Name	Material	Standard
1	Left Flange	Ductile iron	BS2789
2	Bolt	Carbon steel	BS1789
3	MID Flange	Ductile iron	BS2789
4	Nut	Carbon steel	BS1789
5	Right Flange	Ductile iron	BS2789
6	Right	NBR	BS2497

### DIMENSIONS ASTE (mm)

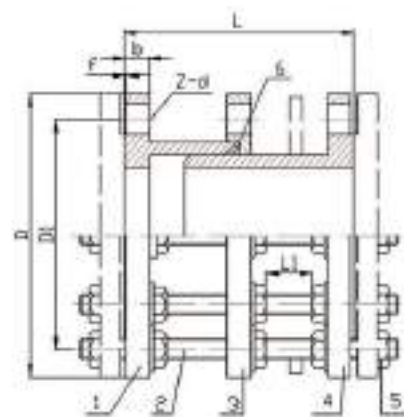
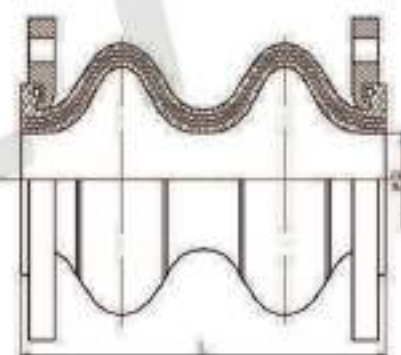
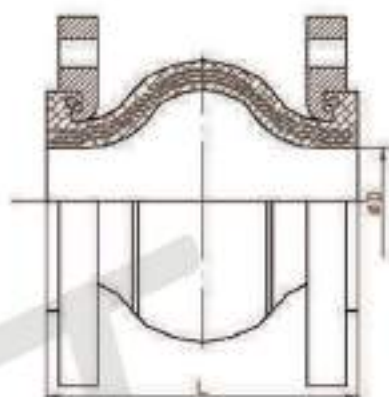
DN	PVC/PE		D			L	F	Flange			Post weight	
	D int	Fl10	Fl16	Fl25	Fl32			Fl10	Fl16	Fl25	Fl10	Fl16/Fl25
50	63	165	165	165	63	20	125-4X19	125-4X19	125-4X19	2	2	
60/65	63	185	185	185	63	20	135/145-4X19	135/145-4X19	135/145-6X19	2.2	2.2	
60/65	75	185	185	185	67	20	135/145-4X19	135/145-4X19	135/145-6X19	2.5	2.5	
80	90	200	200	200	61	20	160-8X19	160-8X19	160-8X19	3	3	
100	90	220	220	225	61	20	180-8X19	180-8X19	180-8X23	3.5	3.5	
100	110	220	220	225	67	20	180-8X19	180-8X19	190-8X23	3.5	3.5	
125	125	250	250	270	70	20	210-8X19	210-8X19	220-8X28	4.5	4.5	
125	140	250	250	270	70	20	210-8X19	210-8X19	220-8X28	4.5	4.5	
150	160	285	285	300	79	21	240-8X23	240-8X23	250-8X28	6.5	6.5	
200	200	340	340	360	91	21	295-8X23	295-12X23	310-12X28	10	10	
200	225	340	340	360	91	21	295-8X23	295-12X23	310-12X28	10	10	
250	250	400	400	425	106	23	350-12X23	355-12X28	370-12X31	16	16	
250	280	400	400	425	106	23	350-12X23	355-12X28	370-12X31	16	16	
300	315	455	455	485	110	26	400-12X23	400-12X28	430-16X31	20	20	
400	400	565	560	620	133	27	515-16X28	525-16X31	560-16X37	30	30	



## Pipe Fitting Series

RZT Rubber joint

DN32-DN600



### TECHNICAL SPECIFICATIONS

Flange: ANSI, DIN BS

### MATERIALS OF PARTS

Item	Part Name	Material
1	Body	CR, EPDM, IIR, NBR, CSM, VIT0
2	Reinforce	Nylon Cord Fabric
3	Wire	Hard Social Wire
4	Flaring Flange	Carbon Steel Plated Zinc

### MATERIALS OF PARTS

Item	Part Name	Material	Standard
1	Left Flange	Ductile Iron	BS2789
2	Bolt	Carbon steel	BS1789
3	MID Flange	Ductile Iron	BS2789
4	Nut	Carbon steel	BS1789
5	Right Flange	Ductile Iron	BS2789
6	Right	NBR	BS2497

## Pipe Fitting Series

RZT Rubber joint

DN32-DN600

Pn16

DN	b	D1	f	h	L	L1	Z-d	Stock
50	165	125	3	19	200	30	4-Φ19	M16X305
65	185	145	3	19	200	30	4-Φ19	M16X305
80	200	160	3	19	200	30	8-Φ19	M16X305
100	220	180	3	19	210	30	8-Φ19	M16X315
125	250	210	3	19	210	30	8-Φ19	M16X315
150	285	240	3	19	210	30	8-Φ19	M20X320
200	340	295	3	20	230	35	12-Φ23	M20X340
250	400	355	3	22	230	35	12-Φ28	M24X355
300	455	410	4	24.5	230	35	12-Φ28	M24X360
350	520	470	4	26.5	270	40	16-Φ28	M24X390
400	580	525	4	28	270	40	16-Φ31	M27X395
500	715	660	4	31.5	290	40	20-Φ34	M30X425
600	840	770	5	35	300	40	20-Φ37	M33X480
700	910	840	5	39.5	320	40	24-Φ37	M33X480
800	1025	950	5	43	340	45	24-Φ40	M35X535
900	1125	1050	5	46.5	340	45	28-Φ40	M36X535
1000	1255	1170	5	50	360	45	28-Φ43	M39X570
1100	1355	1270	5	53.5	380	45	32-Φ43	M39X570
1200	1485	1390	5	57	380	45	32-Φ49	M45X580

### DIMENSIONS ASTE (mm)

DN	Inch	mm	Face to Face	Temp. C degree	Trend	Allowable Movement				Pressure	
						Axial	Angular	Latitud	Angular	Positive	Vacuum
1-1/4"	32	95	30-110	67-99	9	6	9	15	225/16i	660	
1-1/2"	40	95	30-110	67-99	10	6	9	15	225/16i	660	
2"	50	105	30-110	99-110	10	7	10	15	225/16i	660	
2-1/2"	65	115	30-110	103-121	10	7	11	15	225/16i	660	
3"	80	130	30-110	118-133	13	8	12	15	225/16i	660	
4"	100	135	30-110	177-145	15	10	13	15	225/16i	660	
5"	125	170	30-110	152-190	19	12	13	15	225/16i	660	
6"	150	190	30-110	162-190	19	12	13	15	225/16i	660	
8"	200	205	30-110	180-220	20	16	14	15	225/16i	660	
10"	250	240	30-110	215-254	25	16	22	15	225/16i	660	
12"	300	280	30-110	235-274	25	16	22	15	225/16i	660	
14"	350	285	30-110	240-281	25	16	22	15	150/10i	660	
16"	400	285	30-110	240-281	25	16	22	15	150/10i	660	
18"	450	285	30-110	240-281	25	16	22	15	150/10i	660	
20"	500	285	30-110	240-281	25	16	22	15	150/10i	660	
24"	600	285	30-110	240-281	25	16	22	15	150/10i	660	

### DIMENSIONS ASTE (mm)

DN	Inch	mm	Face to Face	Temp. C degree	Trend	Allowable Movement				Pressure	
						Axial	Angular	Latitud	Angular	Positive	Vacuum
1-1/4"	32	7	-140	125-205	53	27	45	40'	225/16i	660	
1-1/2"	40	7	-140	125-205	53	27	45	40'	225/16i	660	
2"	50	7	-140	125-205	53	27	45	40'	225/16i	660	
2-1/2"	65	7	-140	125-205	53	27	45	40'	225/16i	660	
3"	80	7	-140	125-205	53	27	45	40'	225/16i	660	
4"	100	9	-140	175-260	53	31	40	35'	225/16i	660	
5"	125	9	-140	175-260	53	31	40	35'	225/16i	660	
6"	150	9	-140	175-260	53	31	40	35'	225/16i	660	
8"	200	13	-140	255-360	65	30	35	30'	225/16i	660	
10"	250	13	-140	255-360	65	30	35	30'	225/16i	660	
12"	300	13	-140	255-360	65	30	35	30'	225/16i	660	
14"	350	13.8	-140	255-360	65	30	35	30'	150/10i	660	
16"	400	13.8	-140	255-360	65	30	35	30'	150/10i	660	
18"	450	13.8	-140	255-360	65	30	35	30'	150/10i	660	
20"	500	13.8	-140	255-360	65	30	35	30'	150/10i	660	