

CHV 浙江沧海阀门科技股份有限公司
ZHEJIANG CANGHAI VALVE TECHNOLOGY CO. LTD

地址: 浙江省温州市瓯北镇东方工业区工业路13号 325102
电话: 0577-6799 7191 6735 4191 传真: 0577-6799 6191
www.zjch-v.com www.zjchfm.com
邮箱: zjchfm@163.com

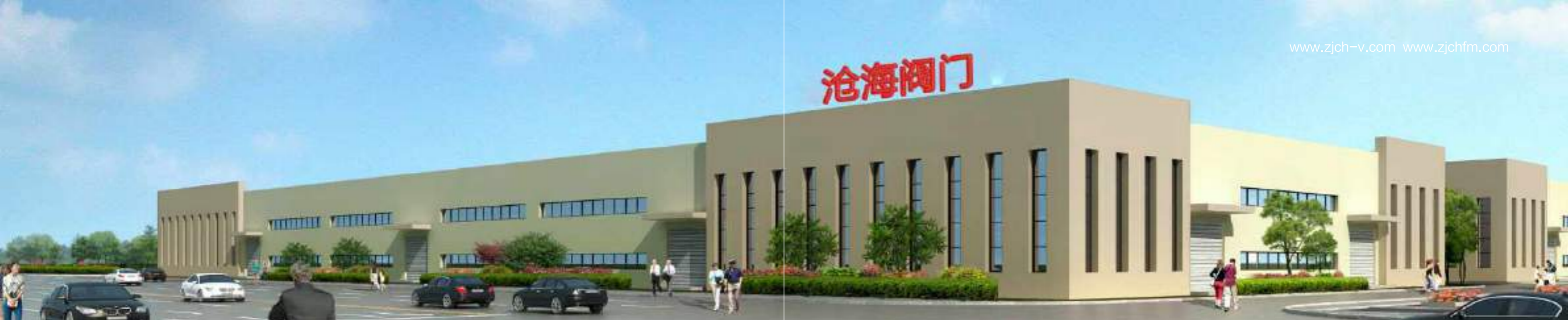
Add: No. 13, Gongye road, Dongfang Industrial Zone, Oubei Town, Wenzhou City,
Zhejiang Province P.C.: 325102
Tel: 0577-6799 7191 6735 4191 Fax: 0577-6799 6191
http://www.zjch-v.com www.zjchfm.com
E-mail: zjchfm@163.com



CHV 沧海阀门
CANGHAI VALVE
(原浙江福泰阀门)

油田阀门的理想选择
An ideal choice for oil field valves

油田阀门 / 平板闸阀 / 节流截止阀 / 高压止回阀
Oil field valves / Flat gate valves / Throttle type shutoff valves / High pressure check valves

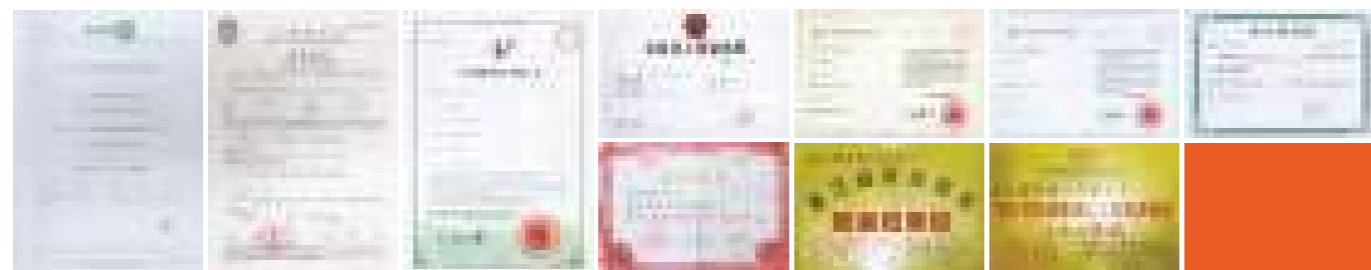


企业概况

浙江沧海阀门科技股份有限公司是温州地区机械工业归口企业，并已取得ISO9001-2000国际质量体系认证和TS特种设备制造许可证，公司座落于名震海内外的中国泵阀之乡--浙江省永嘉县瓯北镇。公司设有金工车间、装配车间(试压车间)、成品及半成品车间，拥有精良的设备，专业生产各类国标、美标高中低压油田专用阀门，及定做各种非标阀门。阀门现有规格DN6mm~3000mm及1/4"~40"，工作压力PN0.1MPa~42.0MPa、150Lb~2500Lb及2000PSI~20000PSI，工作温度-196~570℃。阀门产品按用户需要可选用手动、电动、气动、液动、涡轮、齿轮传动、电液联动和采用电动执行机构自动调节等各种驱动装置。

公司最近研制出专用于油田高压阀门的填料，在15000公斤压力下，填料密封滴水不漏，而手轮开关自如。阀门内件采用QPQ特殊处理，耐磨性能达到淬火20倍，渗碳淬火10倍，离子渗氮的3倍，镀镍磷、镀硬铬的5倍；耐腐蚀性；中性盐雾测试性能，达到100~300小时，比气体氮化，离子氮化，磷化，镀铬等处理的耐腐蚀性强3~10倍，比1Cr8Ni9Ti不锈钢高4~5倍。高压平板阀的闸板是喷焊镍60粉末冶金，其火焰喷涂涂层硬度达到HRC58~62度。

公司拥有一支现代化和科技研究、产品开发队伍，推广应用计算机辅助产品设计，实施ISO9001质量管理和TS质量保证体系。国内阀门按GB12220~GB12251-89制造，并按JB/T9092-1999(ZBJ16006-90)，GB/T13927-92标准验收出厂。美标阀门按ANSI/API6A、API6D设计制造，按美标API598检查验收。多项产品已获得国家专利，生产工艺先进，检测手段完善，售后服务周到，产品深受广大用户的好评。多年来承蒙各设计研究所、科研单位和用户的鼎力支持，公司已发展成为集生产、科研、销售为一体，专为国内外客户生产优质的高中低压阀门产品的现代化骨干企业。在当前激烈的市场竞争中，公司坚持以品质为根本，以信誉求生存，以科技促发展，以服务赢“上帝”的质量方针，我们将以优质的产品，良好的信誉，合理的价格，真诚为广大用户服务。没有最好，只求更好，这就是福泰的宗旨。



ENTERPRISE PROFILE

Zhejiang canghai valve science and technology co., ltd. is an enterprise under a soecified administrative department of mechanical industry in Wenzhou region, having obtained ISO9001-2000 International Quality System Certification an TS Special Equipments Manufacturing License.

It is located at Oubei Town, Yongjia County, Zhejiang Province, which is wellknown worldwide to be China' s Production Base for Pumps and Valves. The company is equipped with metal workshop, assembly workshop(pressure testing workshop) and finished/semi-finished products workshop. With sophisticated equipments, the company specializes in production of various national standard/ASTM high/medium/low pressure oil field valves as well as customizing all kinds of non-standard valves. Existing valve specifications are DN6mm~3000mm and 1/4"~40". Operating pressure:PN0.1MPa~42.0MPa、150Lb~2500Lb及2000PSI~20000PSI. Operating temperature:-196~570℃. Valve products can adopt varied actuating devices including manual operation, motor-driven, pneumatic, hydraulic, turbine, gear drive, electro-hydraulic and electric actuator automatic adjustment.

Paddings specially applied to oil field high pressure valves have been developed lately. Under pressure of 15000 kg, paddings have good sealing property while hand wheel can be opened or closed easily. Inner parts of valves adopt QPQ special treatment. Abrasion resistance is 20 times better than quenching, 10 times better than carburizing quenching, 3 times better than ion nitriding and 5 times better than nickel/phosphorus plating, hard chrome plating. Neutral salt spray testing property reaches 100~300 hours, and its corrosion resistance is 3~10 times better than such treatments as gas nitriding, ion nitriding, phosphorization and chrome plating etc., and is 4~5 times better than 1Cr8Ni9Ti stainless steel. Wedge gate of high pressure flat valve is spray welding nickel 60 powder metallurgy. Its flame spraying coating hardness reaches HRC58~62 degrees.

The company owns a modern scientific research/product development team, popularizes CAD and implements ISO9001 quality management and TS quality assurance system. Domestic valves are manufactured according to GB12220~GB12251-89 and checked in accordance with JB/T9092-1999(ZBJ16006-90), GB/T13927-92 before delivery. ASTM valves designed and manufactured according to ANSI/API6A、API6D and checked in accordance with ASTM API598. Many products have obtained national patents. Advanced production technology, perfect testing methods and considerate after-sales service have been well received by numerous users. For many years, our company has grown into a modern leading enterprise that integrates production with scientific research and sales to produce high/medium/low pressure valves for domestic and overseas clients due to the great support from design institutes, research units as well as users. In today' s fierce market competition, our company insists on the quality policy of quality first, survival on credit, development on technology and winning customers' trust by services" . We will strive to offer most considerate service for users depending on quality products, good reputation and reasonable prices. It is Futai' s goal to achieve better but not the best.

精良装备 SOPHISTICATED EQUIPMENTS

规模化、专业化的制造，铸就“沧海”品牌
Foster “Canghai” brand through large scale specialized manufacturing

公司坚持以品质为根本，以信誉求生存，以科技促发展，以服务赢“上帝”的质量方针，推行用户满意工程，满足和超越顾客的需求和期望。我们拥有先进的生产装备，运用崭新的工业概念及强大的技术力量，生产符合国际标准的高品质产品。

The company insists on the quality policy of quality first, survival on credit, development on technology and winning customers' trust by services", and carries out customer satisfaction engineering to satisfy and surpass their demands and expectation. We own advanced production equipments, utilize brand new industrial concept and strong technical force to produce high quality products conforming to international standards.



质量零缺陷是我们的目标
Quality zero leakage is our target.

高、精、尖的现代化设备为“沧海”的产品奠定了坚实的基础。为了将高技术产品服务客户，我们引进、更新、改良先进的生产设备工艺。专业打造高品质的产品，真诚赢得信赖。成熟的工艺、严谨的作风和完善的质量体系，全面保障产品的每个环节高效而规范的操作，以满足客户对品质的需求。

Highly sophisticated modern equipments lay solid foundation for “Canghai” products. In order to provide customers with high-tech products, we introduce, upgrade and improve advanced production equipment technology, and specialize in producing high quality products to win trust from customers through sincere service. Mature technology, rigorous attitude and perfect quality system fully ensure that each processing stage of products is conducted efficiently and normally to meet customers' demands upon quality.



目录 CONTENTS

- 01 平行式闸阀
Parallel Gate Valve
- 03 钻井高压泥浆阀
Well Dring High Pressure Mud Gate Valve
- 04 API6A闸阀
API6A Gate Valve
- 06 可调式节流阀、固定式节流阀
Adjustable Throttle Valve、Fixed Throttle Valve
- 07 JLH多功能高压平衡式截止阀、调节阀
JLH Multifunctional High Pressure Balanced Shutoff Valve、Control Valve
- 10 平衡式截止节流阀
Balanced Shutoff Throttle Valve
- 12 止回阀
Check Valve
- 15 带(无)导流孔平行式闸阀
Parallel Gate Valve With(Without)Deflector Hole
- 18 高温耐磨撑开式双闸板闸阀
High Temperature Abrasion-proof Open Double-disc Gate Valve
- 20 法兰连接标准
Flange Connection Standard

CHV 沧海阀门

CANGHAI VALVE

油田阀门的理想选择

An ideal choice for oil field valves



Z81H Z93Y Z83Y Z63Y Z23X 6A闸阀 Z43Y Z43F Z23Y L/J66Y L/J47Y H61Y H62Y H63Y



165FZ47Y-25MPa 封井器 Oil well packer
 API6A闸阀 5000~15000PSI API6A gate valve
 Z93Y 16~25MPa
 Z43Y 16~45MPa
 Z81H 25MPa
 Z63Y-16~35MPa 全焊接高压平板阀 All-welded high pressure flat gate valve
 Z44Y 平行双闸板闸阀 Parallel double-disc gate valve
 Z43F/WF 平行式闸阀 Parallel gate valve
 FJ41Y-16~25MPa 节流截止放空阀 Throttle shutoff vent valve
 L/J46Y 16~45MPa
 L/J67Y/X 16~45MPa
 H42Y 16~45MPa
 H82Y 16~45MPa
 H41Y-16~42MPa 锻钢止回阀 Forged steel check valve
 H68Y-20MPa 高压止回阀 High pressure check valve
 H63Y-16~32MPa 锻钢止回阀 Forged steel check valve
 Q13N-16~32MPa
 零泄漏填料 Zero leakage padding

平行式闸阀



钻井高压泥浆闸阀



API6A闸阀



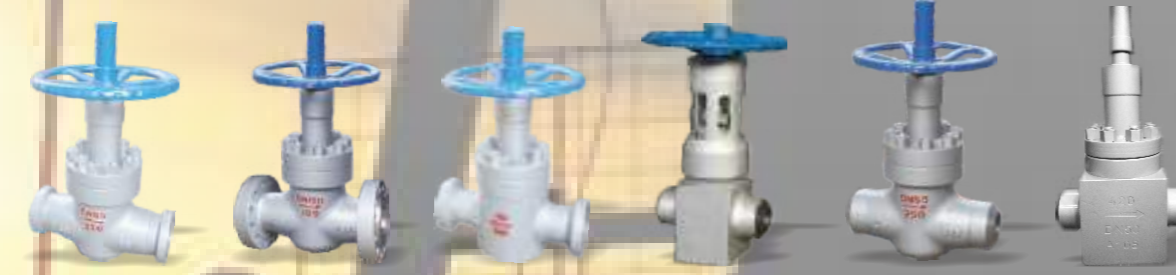
可调式、固定式节流阀



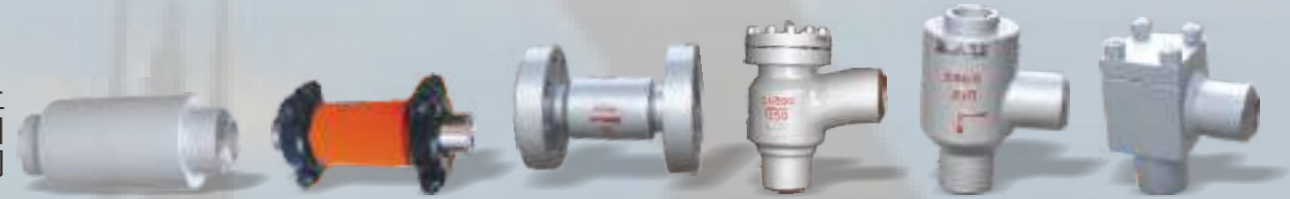
多功能高压平衡式截止阀、调节阀



多功能高压平衡式截止阀、调节阀



止回阀



止回阀



带(无)导流孔平行式闸阀



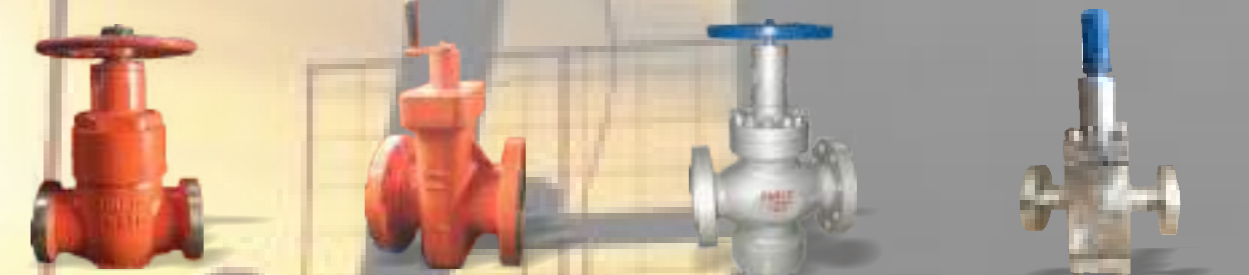
高温耐磨撑开式双闸板闸阀

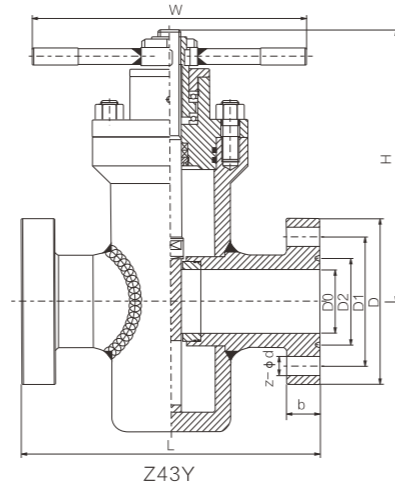
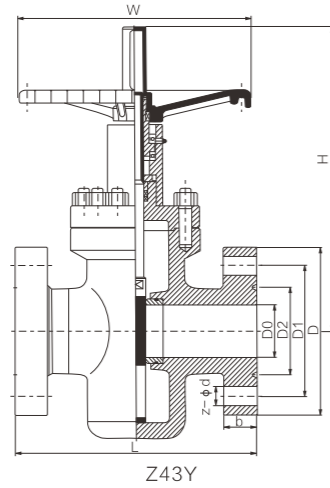


法兰



截止放空阀、阀套式排污阀

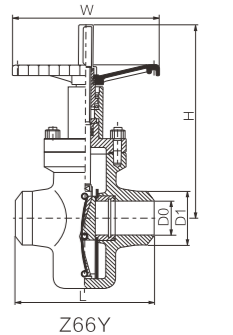
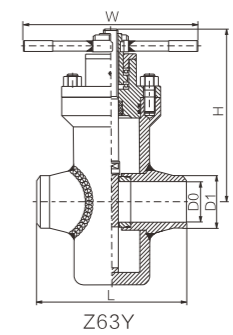
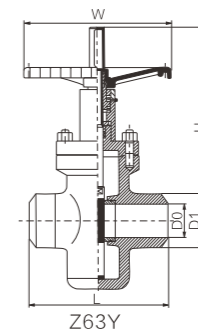




外形及连接尺寸 Main external and connecting dimensions

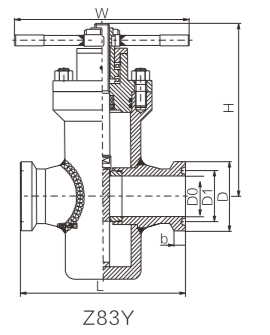
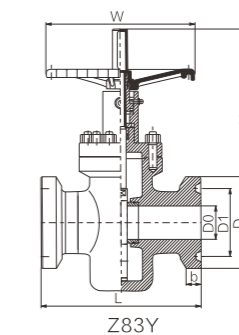
公称压力 PN(MPa)	公称通径 DN(mm)	外形尺寸(mm)									
		L	H	H1	D0	D2	D1	D	b	Z-φd	W
16 20	25	210	205	250	23	50.8	101.5	150	35.4	4-26	200
	32	230	220	260	29	60.32	111	160	35.4	4-26	240
	40	260	254	294	36	68.27	124	180	38.4	4-30	280
	50	300	312	364	45	95.25	165	215	46.5	8-26	300
	65	340	330	402	58	107.95	190.5	245	49.5	8-30	320
	80	390	411	495	72	123.82	190.5	240	46.5	8-26	360
	100	450	443	543	90	149.22	235	295	52.5	8-33	400
	150	600	605	752	135	211.12	317.5	380	64	12-33	600
	200	750	710	840	180	269.88	393.5	470	71.5	12-39	650
25 35	25	210	205	240	23	50.8	101.5	150	35.4	4-26	200
	32	230	220	260	29	60.32	111	160	35.4	4-26	240
	40	260	254	294	36	68.27	124	180	38.4	4-30	280
	50	300	312	364	45	95.25	165	215	46.5	8-26	300
	65	340	330	402	58	107.95	190.5	245	49.5	8-30	320
	80	390	411	495	72	136.52	203	265	56	8-33	360
	100	450	443	543	90	161.92	241.5	310	62	8-36	400
	150	600	605	752	135	211.18	317.5	395	91	12-39	600
	200	750	710	840	180	269.88	393.5	485	103.2	12-45	650
45	25	210	205	240	23	60.32	108	160	42	4-26	200
	32	230	220	260	29	72.24	130	185	46.5	4-30	240
	40	260	254	294	36	82.55	146	205	52.5	4-33	280
	50	300	312	364	45	101.6	171.5	235	59	8-30	300
	65	340	330	402	58	111.12	197	265	65.5	8-33	320
	80	390	411	495	72	127.00	228.5	305	75	8-36	360
	100	450	443	543	90	157.18	273	355	87.7	8-42	400
150	600	605	752	135	228.60	368.5	485	120.7	8-55	600	
200	750	710	840	180	278.40	438	550	141.3	12-55	650	

注: L1=L+对焊法兰 Note:L1=L+butt welded flange



外形及连接尺寸 Main external and connecting dimensions

公称压力 PN(MPa)	公称通径 DN(mm)	外形尺寸(mm)					
		L	H	H1	D0	D1	W
16 20	25	160	205	240	25	42	200
	32	180	220	260	29	54	240
	40	230	254	294	36	60	280
	50	240	312	364	45	73	300
	65	260	330	402	58	89	320
	80	280	411	495	72	108	360
	100	330	443	543	90	133	400
	150	500	605	752	135	192	450
	200	600	710	910	180	245	500
25 35 45	25	160	205	240	23	42	200
	32	180	220	260	29	56	240
	40	210	254	294	36	64	280
	50	240	312	364	45	76	300
	65	260	330	402	58	89	320
	80	280	411	495	72	114	360
	100	330	443	543	90	146	400
	150	500	605	752	135	192	450

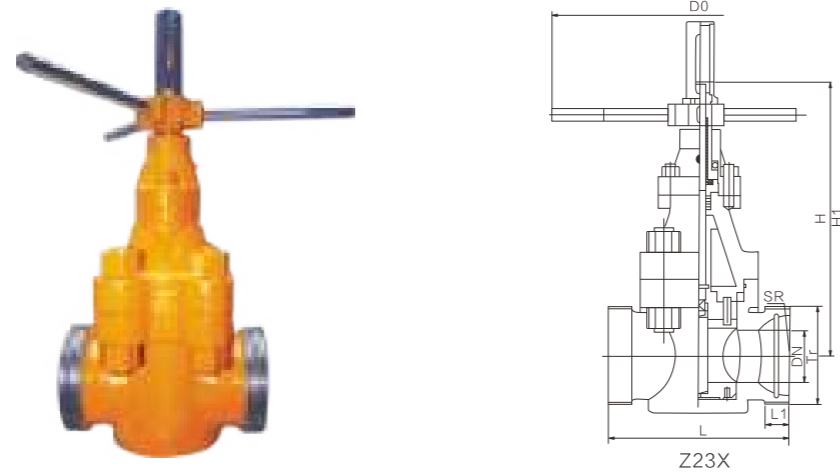


外形及连接尺寸 Main external and connecting dimensions

公称压力 PN(MPa)	公称通径 DN(mm)	外形尺寸(mm)								
		L	L1	H	H1	D0	D1	D	b	W
16~45	40	230	390	254	294	36	88.8	120	20	280
	50	240	400	312	364	45	88.8	120	20	300
	65	260	420	330	402	58	88.8	120	20	320
	80	280	470	411	495	72	107.8	140	20	360
	100	330		443	543	90		146	25	400
	150	500		605	752	135		192	30	450

注: L1=L+对焊卡箍头 Note:L1=L+butt welded clamp

钻井高压泥浆闸阀
Well Drilling High Pressure Mud Gate Valve



Z23X

外形及连接尺寸 Main external and connecting dimensions

公称通径 DN(mm)	外形尺寸(mm)								重量(kg)
	DN	L	L1	Tr	SR	H	H1	D0	
50	47	240	30	120x6	40	364	312	440	60
65	57	260	30	130x6	40	403	330	480	75
80	70	280	35	150x6	60	495	411	500	90
100	92	320	45	180x8	74	543	443	500	110

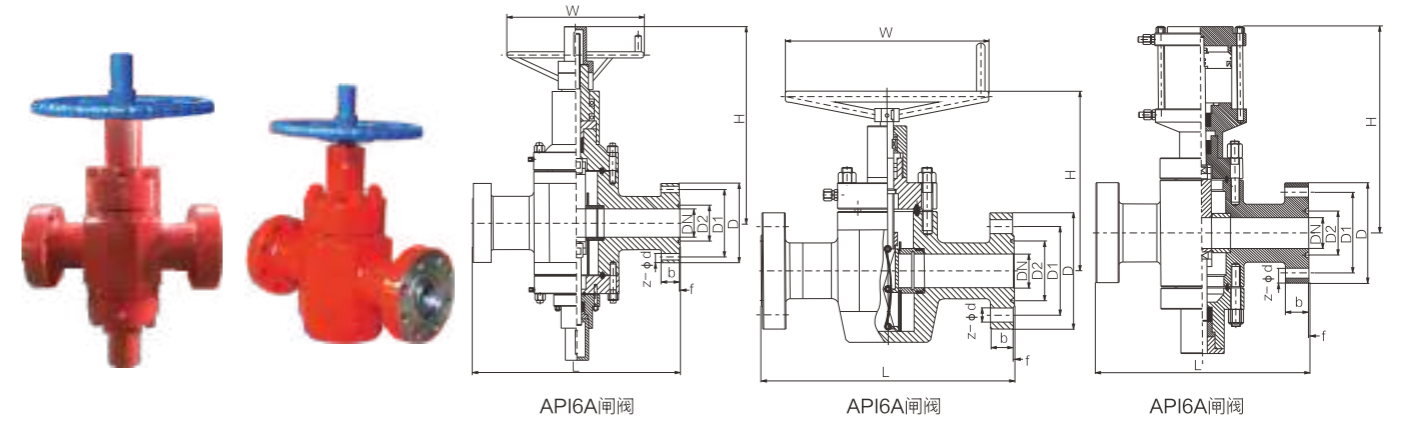


Z23Y

外形及连接尺寸 Main external and connecting dimensions

公称通径 DN(mm)	外形尺寸(mm)							重量(kg)
	L	L1	Tr	SR	H	H1	D0	
50	212	30	120x6	40	364	312	440	60
65	235	30	130x6	40	403	330	480	75
80	267	35	150x6	60	495	411	500	90
100	330	45	180x8	74	543	443	500	110

API6A闸阀
API6A Gate Valve



API6A闸阀

API6A闸阀

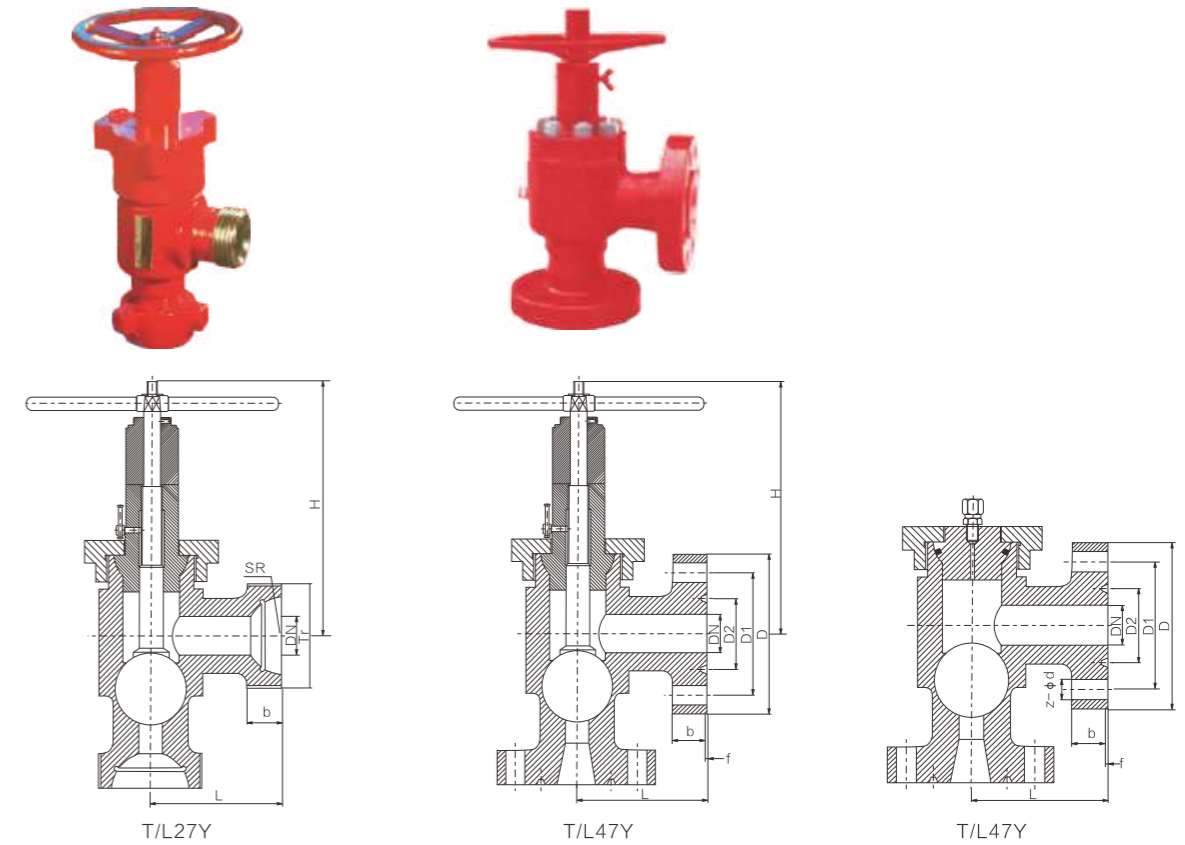
API6A闸阀

外形及连接尺寸 Main external and connecting dimensions

公称压力(Psi)	公称通径(in)	公称通径DN	孔径	L
2000	21/16X113/16	52X46	46	295
	21/16	52	52.3	295
	29/16	65	65	333
	31/8	78	79.4/80.1	359
	41/16	103	103.2/104.8/107.9	435
	51/8	130	130.1	562
	71/16X6	179X152	152.4	562
	71/16X63/8	179X162	155.6	562
	71/16X65/8	179X168	168.3	562/664
	71/16	179	179.4/181	664
3000	21/16X113/16	52X46	46	371
	21/16	52	52.3	371
	29/16	65	65	422
	31/8	78	79.4	435
	31/8	78	80.1	435
	41/16	103	103.2	511
	41/16	103	104.8	511
	41/16	103	107.9	511
	51/8	130	130.1	613
	71/16X6	179X152	152.4	613
	71/16X63/8	179X162	155.6	613
	71/16X65/8	179X168	168.3	-
	71/16	179	179.4	714
	71/16	179	181	714

外形及连接尺寸 Main external and connecting dimensions

公称压力(Psi)	公称通径(in)	公称通径DN	孔径	L
5000	21/16X113/16	52X46	46	371
	21/16	52	52.5	371
	29/16	65	65	422
	31/8	78	79.4	473
	31/8	78	81	473
	41/16	103	103.2	549
	41/16	103	104.8	549
	41/16	103	108	549
	51/8	130	130.2	727
	71/16X51/8	179X130	130.2	737
	71/16X6	179X152	152.4	737
	71/16X61/8	179X156	155.6	737
	71/16X63/8	179X162	161.9	737
	71/16X65/8	179X168	168.3	737
	71/16	179	179.4	813
	71/16	179	181	813
9	228	228.5	1041	
10000	113/16	46	46	464
	21/16	52	52.5	521
	29/16	65	65	565
	31/16	78	78	619
	41/16	103	103	670
	51/8	130	130	737
	71/16X63/8	179X162	162	889
71/16	179	179.5	889	
15000	113/16	46	46	457
	21/16	52	52.5	483
	29/16	65	65	533
	31/16	78	78	598
	41/16	103	103	737
20000	113/16	46	46	533
	21/16	52	52.5	584
	29/16	65	65	673
	31/16	78	78	775



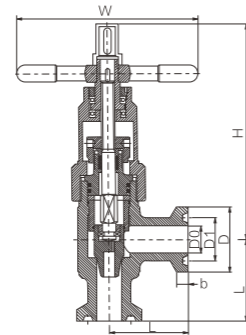
外形及连接尺寸 Main external and connecting dimensions

公称压力 (Lb)	公称通径 (inch)	主要尺寸					
		L	D	D1	D2	b	Z-φd
900	2	154	215	165	95.25	46.5	8-26
	2 1/2	210	245	190.5	107.95	49.5	8-30
	3	190	240	190.5	123.82	46.5	8-26
	4	229	290	235	149.22	52.5	8-33
1500	2	184	215	165	95.25	46.5	8-26
	2 1/2	210	245	190.5	107.95	49.5	8-30
	3	235	265	203	136.52	56	8-33
	4	273	310	241.5	161.92	62	8-36
2500	2	226	235	171.5	101.6	59	8-30
	2 1/2	254	265	197	111.12	67	8-33
	3	289	305	228.5	127	77	8-36
	4	337	355	273	157.18	87.8	8-42

JLH多功能高压平衡式截止阀、调节阀
JLH Multifunctional High Pressure Balanced Shutoff Valve, Control Valve



L/J87Y



外形及连接尺寸 Main external and connecting dimensions

公称压力 PN(MPa)	公称口径 DN(mm)	外形尺寸(mm)							
		L	L1	H	D0	D1	D	b	W
16 20	40	121	281	340	36	88.8	120	20	280
	50	140	300	380	45	88.8	120	20	300
	65	165	325	395	58	88.8	120	20	360
	80	184	374	475	72	107.8	140	20	400
25 35 45	40	121	281	340	36	88.8	120	20	280
	50	140	300	380	45	88.8	120	20	300
	65	165	325	395	58	88.8	120	20	360
	80	184	374	475	72	107.8	140	20	400

注: L1=L+对焊卡箍头

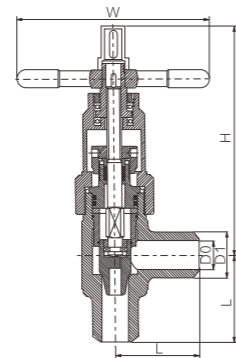
Note:L1=L+butt welded clamp



L/J967Y



L/J67Y



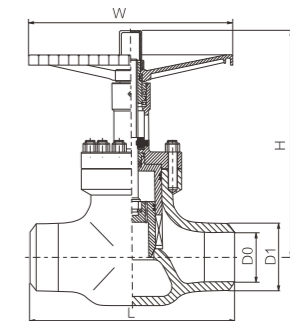
外形及连接尺寸 Main external and connecting dimensions

公称压力 PN(MPa)	公称口径 DN(mm)	外形尺寸(mm)				
		L	H	D0	D1	W
16 20	25	108	310	23	42	200
	32	114	325	29	54	240
	40	121	340	36	60	280
	50	140	380	45	73	300
	65	165	395	58	89	360
	80	184	475	72	108	400
	100	229	495	90	133	450
	125	266	545	113	159	500
25 35 45	150	305	575	135	192	550
	25	108	310	23	42	200
	32	114	325	29	54	240
	40	121	340	36	60	280
	50	140	380	45	73	300
	65	165	395	58	89	360
	80	184	475	72	108	400
	100	229	495	90	133	450
125	266	545	113	159	500	
	150	305	575	135	192	550

JLH多功能高压平衡式截止阀、调节阀
JLH Multifunctional High Pressure Balanced Shutoff Valve, Control Valve

用途 Usages

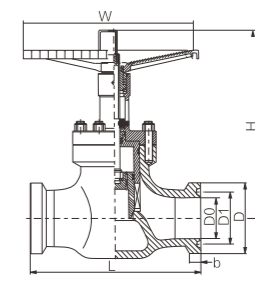
JLH多功能系列适用于油田系统,起截止、调节、止回用。L/J系列适用于油田高压注水系统,起截止、调节流量用。特别适用于配水间高压节流注水系统。JLH multifunctional series are applicable to oil field system, with functions of shutoff, regulating and checking. L/J series are applicable to oil field high-pressure water injection system, with functions of shutoff, flow regulating. And they are especially suitable for water allocating room high-pressure throttling water injection system.



L/J66Y

外形及连接尺寸 Main external and connecting dimensions

公称压力 PN(MPa)	公称口径 DN(mm)	外形尺寸(mm)				
		L	D0	D1	H	W
16 20	25	216	23	42	300	200
	32	229	29	54	325	240
	40	241	36	60	355	240
	50	280	45	73	395	300
	65	330	58	89	425	320
	80	368	72	108	460	360
	100	457	90	133	508	400
	125	533	115	152	530	500
	150	610	135	194	650	550
	200	660	180	245	690	600
25 35 45	25	216	23	42	300	200
	32	229	29	54	325	240
	40	241	36	60	355	240
	50	280	45	73	395	300
	65	300	58	89	425	320
	80	381	72	108	460	360
	100	457	90	133	508	400
	125	633	115	152	530	500
	150	610	135	194	650	550



L/J86Y

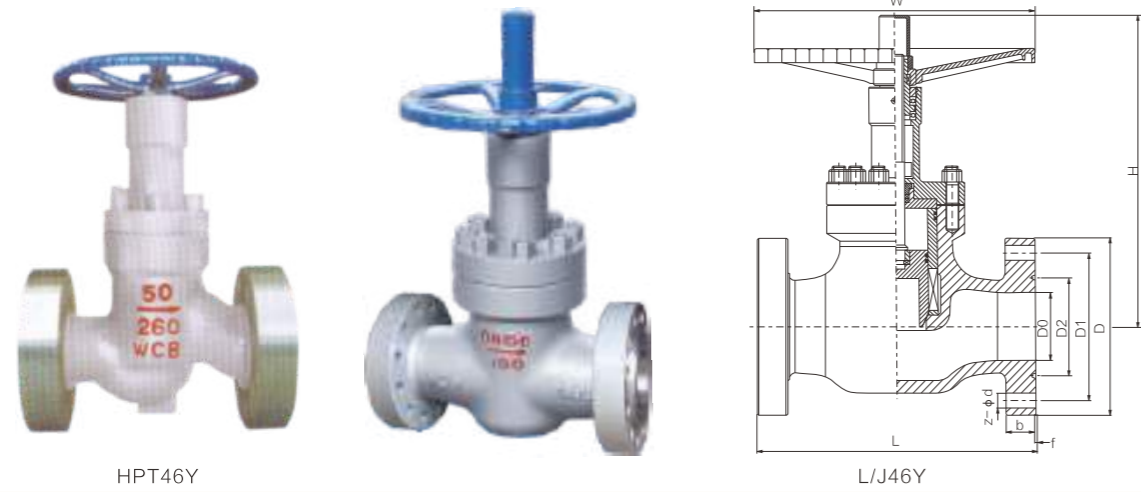
外形及连接尺寸 Main external and connecting dimensions

公称压力 PN(MPa)	公称口径 DN(mm)	外形尺寸(mm)							
		L	L1	H	D0	D1	D	b	W
16 20	40	240	370	355	36	88.8	120	20	280
	50	280	432	395	45	88.8	120	20	300
	65	330	490	425	58	88.8	120	20	360
	80	368	568	460	72	107.8	140	20	400
25 35 45	40	240	370	355	36	88.8	120	20	280
	50	280	432	395	45	88.8	120	20	300
	65	330	490	425	58	88.8	120	20	360
	80	381	581	460	72	107.8	140	20	400

注: L1=L+对焊卡箍头

Note:L1=L+butt welded clamp

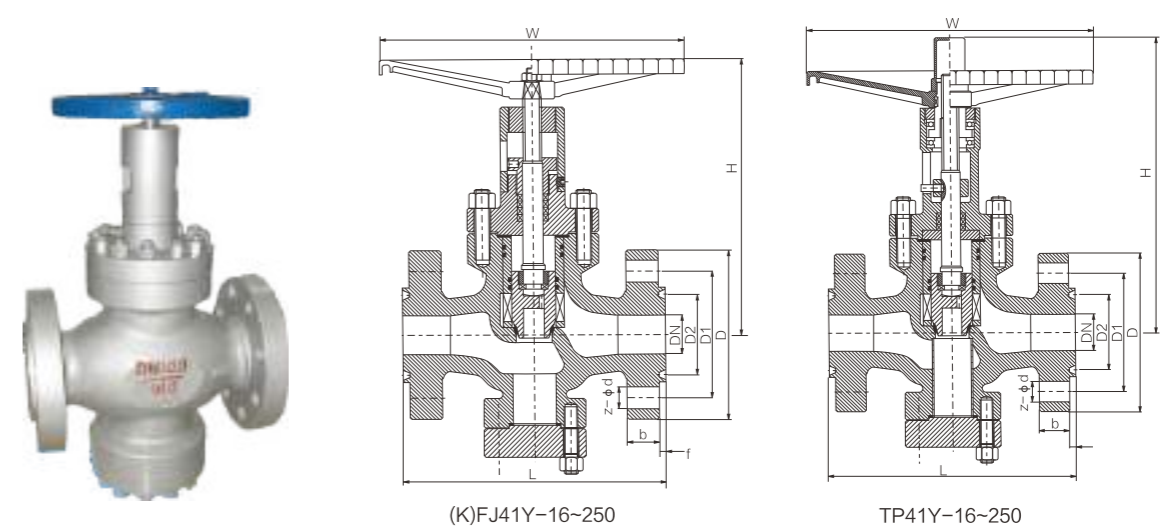
JLH多功能高压平衡式截止阀、调节阀
JLH Multifunctional High Pressure Balanced Shutoff Valve, Control Valve



外形及连接尺寸 Main external and connecting dimensions

公称压力 PN(MPa)	公称口径 DN(mm)	外形尺寸(mm)								
		L	H	D0	D2	D1	D	b	Z-φd	W
16 20	25	230	200	22	50.8	101.5	150	35.4	4-26	200
	32	260	215	29	60.32	111	160	35.4	4-26	220
	40	260	220	36	68.28	124	180	38.4	4-30	280
	50	300	230	45	95.25	165	215	46.5	8-26	300
	65	340	250	58	107.95	190.5	245	49.5	8-26	350
	80	380	340	72	123.82	190.5	240	46.5	8-30	360
	100	430	375	90	149.22	235	295	52.5	8-33	400
	150	500	530	135	211.12	317.5	380	64	12-33	600
25	200	660	720	180	269.88	393.4	460	71.5	12-39	650
	25	230	200	22	50.8	101.5	150	35.4	4-26	200
	32	260	215	29	60.32	111	160	35.4	4-26	220
	40	260	220	36	68.28	124	180	38.4	4-30	280
	50	300	230	45	95.25	165	215	46.5	8-26	300
	65	340	250	58	107.95	190.5	245	49.5	8-30	350
	80	380	340	72	136.52	203	265	56	8-33	360
	100	430	375	90	161.92	241.5	310	62	8-36	400
45	150	500	530	135	211.12	317.5	395	91	12-39	600
	200	660	720	180	279.4	438	550	103.2	12-56	650

截止放空阀、阀套式排污阀
Shutoff Vent Valve, Valve Sleeve Type Blowoff Valve



性能规范 Performance standard

型号	PN	工作压力 /MPa	适用温度 /°C	适用介质	材料							
					阀体、 阀盖	阀瓣	阀杆	阀座	阀杆 螺母	密封圈	填料	密封脂
(K)FJ41Y- 16-250	16~ 250	1.6~ 25.0	-29~ 121	石油、 天然气、 水等	WCB	合金钢(特 殊处理)	不锈钢	合金钢(特 殊处理)	铝青铜	丁腈橡胶	填充四氟 膨胀石墨	耐油 密封脂
(K)FLJ41Y- 16-250												
(K)SLJ41Y- 16-250												

外形及连接尺寸 Main external and connecting dimensions

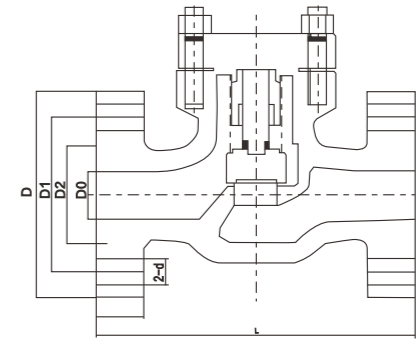
DN	L	D	D1	D2	b	ZXφd	H	H1	W	重量/kg
PN16										
25	216	115	85	65	14	4X14	243	86	180	18
40	230	145	110	85	16	4X18	265	108	250	25
50	230	160	125	100	16	4X18	346	115	250	28
80	310	195	160	135	20	8X18	409	146	300	53
100	350	215	180	155	20	8X18	484	163	300	62
150	480	280	240	210	24	8X23	521	202	350	128
200	600	335	295	265	26	12X23	594	292	350	168
250	730	405	355	320	30	12X25	621	355	400	289
PN25										
25	216	115	85	65	16	4X14	243	86	180	18
40	230	145	110	85	18	4X18	265	108	250	25
50	230	160	125	100	20	4X18	346	115	250	28
80	310	195	160	135	22	8X18	409	146	300	57
100	350	230	190	160	24	8X23	433	163	300	69
150	480	300	250	218	30	8X25	521	202	350	145
200	600	360	310	278	34	12X25	594	292	350	188
250	730	425	370	332	36	12X30	621	355	400	315

截止放空阀、阀套式排污阀
Shutoff Vent Valve, Valve Sleeve Type Blowoff Valve

外形及连接尺寸 Main external and connecting dimensions

DN	L	D	D1	D2	D6	b	zXφd	H	H1	W	重量/kg
PN40											
25	216	115	85	65	58	16	4X14	243	86	180	21
40	230	145	110	85	76	18	4X18	265	108	250	31
50	230	160	125	100	88	20	4X18	346	115	250	35
80	310	195	160	135	121	22	8X18	409	146	300	70
100	350	230	190	160	150	24	8X23	433	163	300	85
150	480	300	250	218	204	30	8X25	521	202	350	172
200	600	375	320	282	260	38	12X30	594	292	350	219
250	730	445	385	345	313	42	12X34	621	355	400	378
PN63											
25	216	135	100	78	58	22	4X18	243	86	180	25
40	230	165	125	95	76	24	4X23	265	108	250	37
50	230	175	135	105	88	26	4X23	346	115	300	42
80	310	210	170	140	121	30	8X23	409	146	350	84
100	350	250	200	168	150	32	8X25	433	163	350	100
150	480	340	280	240	204	38	8X34	521	202	400	208
200	600	405	345	300	260	44	12X34	594	292	500	265
250	730	470	400	352	313	48	12X41	621	355	500	452
PN100											
25	230	135	100	78	50	24	4X18	245	78	200	30
40	260	165	125	95	75	26	4X23	265	106	250	44
50	300	195	145	112	85	28	4X25	287	110	300	58
80	380	230	180	148	115	34	8X25	409	152	350	58
100	430	265	210	172	145	38	8X30	433	169	350	125
150	559	350	290	250	205	46	12X34	531	225	400	245
200	660	430	360	312	265	54	12X41	709	321	500	316
250	787	500	430	382	320	60	12X41	817	399	500	540
PN160											
25	230	140	100	72	50	28	4X23	215	78	200	36
40	260	175	125	92	75	32	4X27	265	105	250	54
50	300	215	165	132	95	36	8X25	237	110	300	69
80	390	260	205	168	130	46	8X30	414	155	350	120
100	450	300	240	200	160	48	8X34	440	175	350	150

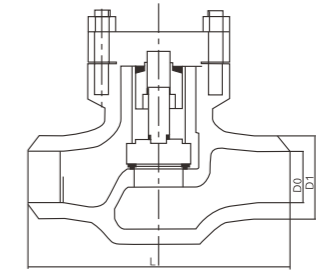
升降式止回阀
LiftCheck Valve



H41Y

外形及连接尺寸 Main external and connecting dimensions

公称压力 PN(MPa)	公称口径 DN(mm)	外形尺寸(mm)						
		L	D0	D2	D1	D	b	Z-φd
16	25	230	22	50.8	101.5	150	35.4	4-26
	32	260	29	60.32	111	160	35.4	4-26
	40	260	36	68.28	124	180	38.4	4-30
	50	300	45	95.25	165	215	46.5	8-26
	65	340	58	107.95	190.5	245	49.5	8-26
	80	380	72	123.82	190.5	240	46.5	8-30
20	100	430	90	149.22	235	295	52.5	8-33
	150	500	135	211.12	317.5	380	64	12-33
	200	660	180	269.88	393.4	460	71.5	12-39
	25	230	22	50.8	101.5	150	35.4	4-26
	32	260	29	60.32	111	160	35.4	4-26
	40	260	36	68.28	124	180	38.4	4-30
25	50	300	45	95.25	165	215	46.5	8-26
	65	340	58	107.95	190.5	245	49.5	8-30
	80	380	72	136.52	203	265	56	8-33
	100	430	90	161.92	241.5	310	62	8-36
	150	500	135	211.12	317.5	395	91	12-39
	200	660	180	279.4	438	550	103.2	12-56

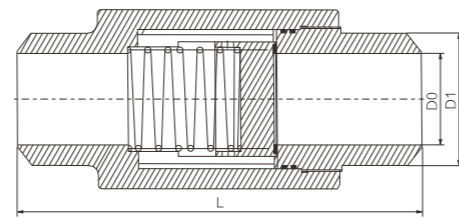


H61Y

外形及连接尺寸 Main external and connecting dimensions

公称压力 PN(MPa)	公称口径 DN(mm)	外形尺寸(mm)						
		L	D0	D2	D1	D	b	Z-φd
16	25	230	22	50.8	101.5	150	35.4	4-26
	32	260	29	60.32	111	160	35.4	4-26
	40	260	36	68.28	124	180	38.4	4-30
	50	300	45	95.25	165	215	46.5	8-26
	65	340	58	107.95	190.5	245	49.5	8-26
	80	380	72	123.82	190.5	240	46.5	8-30
20	100	430	90	149.22	235	295	52.5	8-33
	150	500	135	211.12	317.5	380	64	12-33
	200	660	180	269.88	393.4	460	71.5	12-39
	25	230	22	50.8	101.5	150	35.4	4-26
	32	260	29	60.32	111	160	35.4	4-26
	40	260	36	68.28	124	180	38.4	4-30
25	50	300	45	95.25	165	215	46.5	8-26
	65	340	58	107.95	190.5	245	49.5	8-30
	80	380	72	136.52	203	265	56	8-33
	100	430	90	161.92	241.5	310	62	8-36
	150	500	135	211.12	317.5	395	91	12-39
	200	660	180	279.4	438	550	103.2	12-56

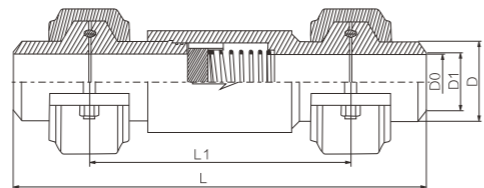
立式止回阀
Vertical Check Valve



H62Y

外形及连接尺寸 Main external and connecting dimensions

公称压力 PN(MPa)	公称口径 DN(mm)	外形尺寸(mm)		
		L	D0	D1
16 20	25	180	22	42
	32	200	29	54
	40	230	36	60
	50	260	45	73
	65	290	58	89
	80	340	72	108
	100	400	90	133
	125	550	115	159
25 35 45	150	600	135	192
	25	180	22	42
	32	200	29	56
	40	230	36	64
	50	260	45	76
	65	290	58	89
	80	340	72	114
	100	400	90	146
	125	550	115	159
	150	600	135	195
200	660	180	245	
250	787	238	298	

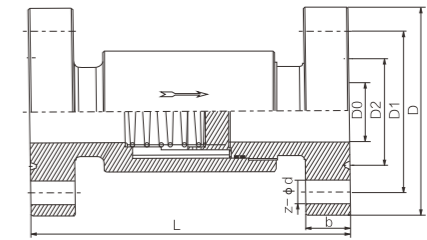


H82Y

外形及连接尺寸 Main external and connecting dimensions

公称压力 PN(MPa)	公称口径 DN(mm)	外形尺寸(mm)			
		L	L1	D0	D
16 20	40	265	420	36	60
	50	267	420	45	73
	65	295	450	58	89
	80	355	540	72	108
25 35 45	40	265	420	36	60
	50	267	420	45	73
	66	295	450	58	89
	88	355	540	72	108

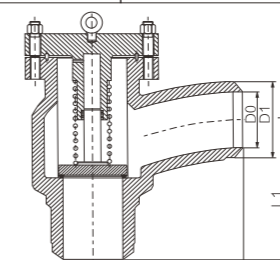
止回阀
Check Valve



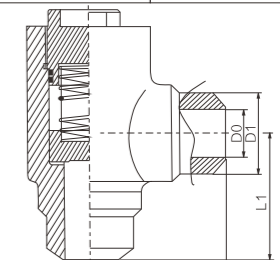
H42Y

外形及连接尺寸 Main external and connecting dimensions

公称压力 PN(MPa)	公称口径 DN(mm)	外形尺寸(mm)			
		L	L1	D0	D
16 20	25	220	330	23	150
	32	240	350	29	160
	40	260	390	36	180
	50	280	430	45	215
	65	340	510	58	245
	80	430	620	72	245
	100	480	690	90	295
25 35 40	25	240	350	23	150
	32	260	370	29	160
	40	290	420	36	180
	50	300	450	45	215
	65	350	520	58	245
	80	450	640	72	270
	100	500	710	90	310



H68Y



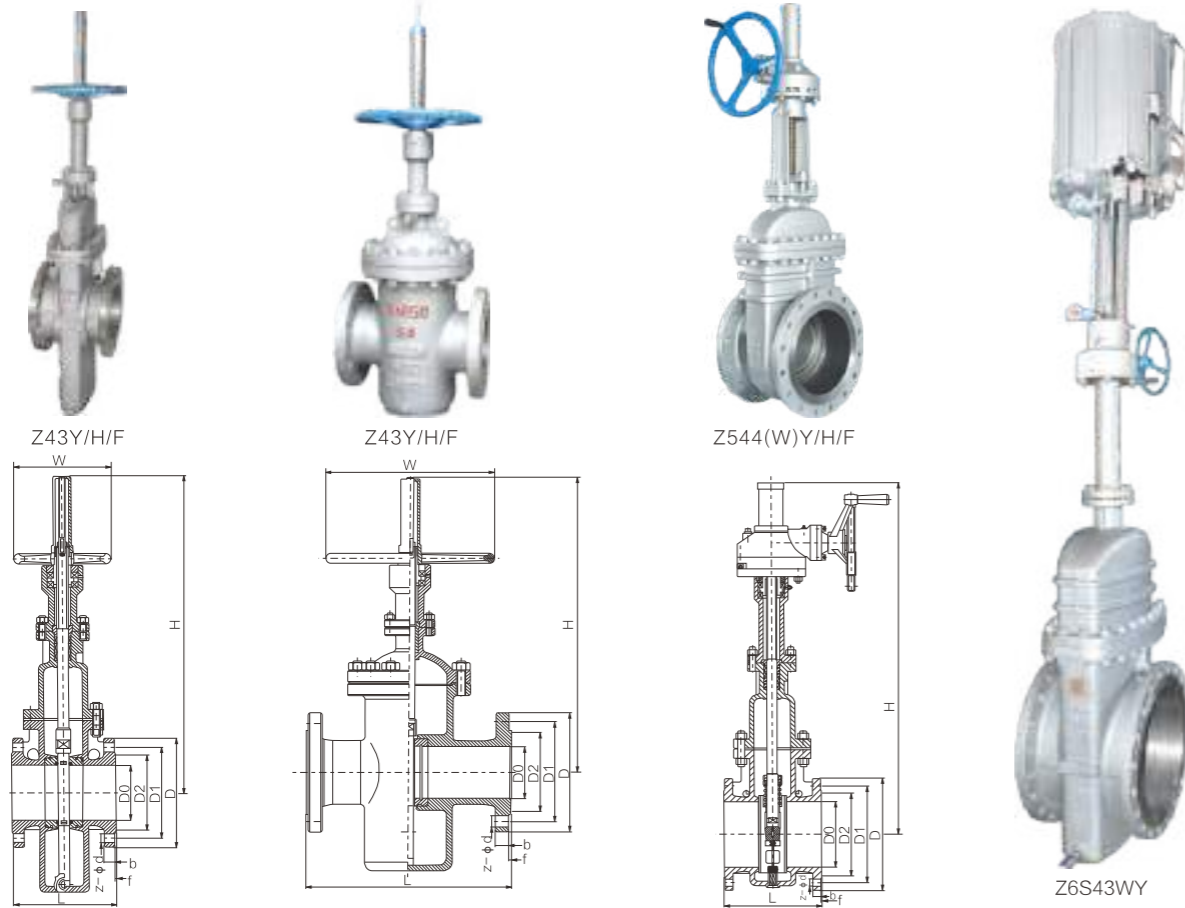
H63Y

外形及连接尺寸 Main external and connecting dimensions

公称压力 PN(MPa)	公称口径 DN(mm)	外形尺寸(mm)		
		L1	D0	D1
16 20	25	85	23	42
	32	95	29	54
	40	110	36	60
	50	120	45	73
	65	155	58	89
	80	160	72	108
	100	200	90	133
25 35 40	25	85	23	42
	32	95	29	56
	40	110	36	64
	50	120	45	76
	65	155	58	89
	80	160	72	114
	100	200	90	146
200	450	180	245	

带(无)导流孔平行式闸阀
Parallel Gate Valve With(Without) Deflector Hole

带(无)导流孔平行式闸阀
Parallel Gate Valve With(Without) Deflector Hole



外形及连接尺寸 Main external and connecting dimensions

公称压力 PN(MPa)	公称口径 DN(mm)	外形尺寸(mm)								
		L	D	D1	D2	D0	b	f	z-φd	W
1.6	50	178	160	125	100	49	16	3	4-18	180
	65	190	180	145	120	64	18	3	4-18	180
	80	203	195	160	135	76	20	3	8-18	200
	100	229	215	180	155	96	20	3	8-18	200
	125	254	245	210	185	120	22	3	8-18	250
	150	267	280	240	210	146	24	3	8-23	250
	200	292	335	295	265	202	26	3	12-23	300
	250	330	405	355	320	250	30	3	12-25	300
	300	356	405	355	375	300	30	4	12-25	350
	350	381	520	470	435	337	34	4	16-25	350
	400	406	580	525	485	387	36	4	16-30	400
	450	450	640	585	545	438	40	4	20-30	450
	500	457	705	650	608	489	44	4	20-34	450
	600	508	840	770	718	591	48	5	20-41	500
700	610	910	840	788	692	50	5	24-41	550	
800	660	1020	950	898	779	52	5	24-41	600	
900	711	1125	1050	1000	874	59	5	28-41	650	

外形及连接尺寸 Main external and connecting dimensions

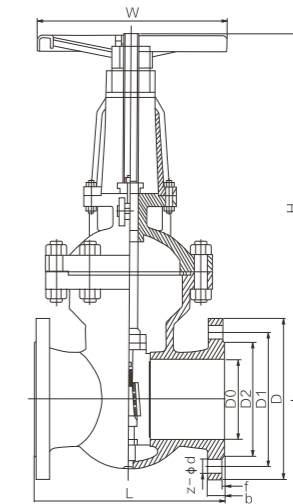
公称压力 PN(MPa)	公称口径 DN(mm)	外形尺寸(mm)										
		L	D	D1	D2	D3	D0	b	f	f1	Z-φd	W
2.5	50	178	160	125	100		49	20	3		4-18	180
	65	190	180	145	120		64	22	3		8-18	180
	80	203	195	160	135		76	22	3		8-18	200
	100	229	230	190	160		96	24	3		8-23	250
	125	254	270	220	188		120	28	3		8-25	250
	150	267	300	250	218		146	30	3		8-25	250
	200	292	360	310	278		202	34	3		12-25	300
	250	330	425	370	332		250	36	3		12-30	300
	300	356	485	430	390		300	40	4		16-30	350
	350	381	550	490	448		337	44	4		16-34	350
	400	406	610	550	505		387	48	4		16-34	400
	450	450	660	600	555		438	50	4		20-34	450
	500	457	730	660	610		489	52	4		20-41	450
	600	508	840	770	718		591	56	5		20-41	500
700	610	955	875	815		692	60	5		24-48	550	
800	660	1070	990	930		779	64	5		24-48	600	
4.0	50	216	160	125	100	88	49	20	3	4	4-18	200
	65	241	180	145	120	110	64	22	3	4	8-18	250
	80	283	195	160	135	121	76	22	3	4	8-18	250
	100	305	230	190	160	150	96	24	3	4.5	8-23	300
	125	381	270	220	188	176	118	28	3	4.5	8-25	350
	150	403	300	250	218	204	145	30	3	4.5	8-25	400
	200	419	375	320	282	260	200	38	3	4.5	12-30	400
	250	457	445	385	345	313	250	42	3	4.5	12-34	450
	300	502	510	450	408	364	300	46	4	4.5	16-34	450
	350	762	570	510	465	422	337	52	4	5	16-34	500
	400	838	665	585	535	474	387	58	4	5	16-41	600
	450	914	680	610	560	524	438	60	4	5	20-41	650
	500	991	755	670	612	576	489	62	4	5	20-48	700
	600	1143	890	795	730	678	589	62	5	5.5	20-54	
700	1346	995	900	835	768	684	68	5	5.5	24-54		
800	1524	1135	1030	960	876	779	76	5	5.5	24-58		

带(无)导流孔平行式闸阀
Parallel Gate Valve With(Without) Deflector Hole

外形及连接尺寸 Main external and connecting dimensions

公称压力 PN(MPa)	公称口径 DN(mm)	外形尺寸(mm)										
		L	D	D1	D2	D3	D0	b	f	f1	Z-φd	W
6.4	50	250	175	135	105	88	47	26	3	4	4-23	200
	65	280	200	160	130	110	64	28	3	4	8-23	250
	80	310	210	170	140	121	77	30	3	4	8-23	250
	100	350	250	200	168	150	94	32	3	4.5	8-25	300
	125	400	295	240	202	176	118	36	3	4.5	8-30	350
	150	450	340	280	240	204	145	38	3	4.5	8-34	350
	200	550	405	345	300	260	198	44	3	4.5	12-34	400
	250	650	470	400	352	313	246	48	3	4.5	12-41	400
	300	750	530	460	412	364	294	54	4	4.5	16-41	450
	350	850	595	525	475	422	342	60	4	5	16-41	550
	400	950	670	585	525	474	388	68	4	5	16-48	650
	500	1150	800	705	640	576	486	70	4	5	20-54	700
	600	1350	930	820	750	678	589	80	5	5.5	20-58	
	700	1450	1045	935	865	768	684	84	5	5.5	24-58	
800	1650	1165	1050	980	876	779	90	5	5.5	24-62		
10.0	50	250	195	145	112	88	45	28	3	4	4-25	250
	65	280	220	170	138	110	62	32	3	4	8-25	280
	80	310	230	180	148	121	75	34	3	4	8-25	300
	100	350	285	210	172	150	92	38	3	4.5	8-30	320
	125	400	310	250	210	176	112	42	3	4.5	8-34	350
	150	450	350	290	250	204	138	48	3	4.5	12-34	400
	200	550	430	360	312	260	190	54	3	4.5	12-41	450
	250	650	500	430	382	313	236	60	3	4.5	12-41	500
	300	750	585	500	442	364	284	70	4	4.5	16-48	550
	350	850	655	560	498	422	332	76	4	5	16-54	600
	400	950	715	620	558	474	376	80	4	5	16-54	650
	500	1150	870	760	690	576	486	90	5	4	20-58	
	600	1350	990	875	800	678	589	95	8	5.5	20-58	

高温耐磨撑开式双闸板闸阀
High Temperature Abrasion-proof Open Double-disc Gate Valve



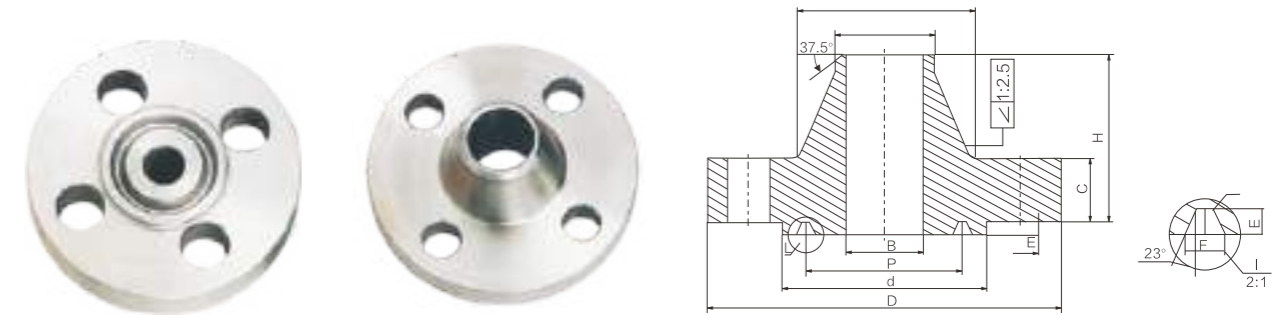
Z44H

外形及连接尺寸 Main external and connecting dimensions

公称压力 PN(MPa)	公称口径 DN(mm)	外形尺寸(mm)							
		L	D	D1	D2	b-f	z-φd	H	W
1.6	40	240	145	110	85	16-3	4-18	290	200
	50	250	160	125	100	16-3	4-18	345	220
	65	270	180	145	120	18-3	4-18	360	240
	80	280	195	160	135	20-3	8-18	385	280
	100	300	215	180	155	20-3	8-18	430	300
	125	325	245	210	185	22-3	8-18	520	320
	150	350	280	240	210	24-3	8-23	610	350
	200	400	335	295	265	26-3	12-23	765	400
	250	450	405	355	320	30-3	12-25	895	450
	300	500	460	410	375	30-4	12-25	1145	500
	350	550	520	470	435	34-4	16-25	1200	550
	400	600	580	525	485	36-4	16-30	1400	600
	450	650	640	585	545	40-4	20-30	1500	650
	500	700	705	650	608	44-4	20-34	1630	700
	600	800	840	770	718	48-5	20-41	1830	800
	700	900	910	840	788	50-5	24-41		
800	1000	1020	950	898	52-5	24-41			

外形及连接尺寸 Main external and connecting dimensions

公称压力 PN(MPa)	公称口径 DN(mm)	外形尺寸(mm)							
		L	D	D1	D2	b-f	z-φd	H	W
2.5	40	240	145	110	85	18-3	4-18	290	200
	50	250	160	125	100	18-3	4-18	345	220
	65	270	180	145	120	20-3	8-18	360	240
	80	280	195	160	135	22-3	8-18	385	280
	100	300	230	190	160	24-3	8-23	430	300
	125	325	270	220	188	28-3	8-25	520	320
	150	350	300	250	218	30-3	8-25	610	350
	200	400	360	310	278	34-3	12-25	765	400
	250	450	425	370	332	36-3	12-30	900	450
	300	500	485	430	390	40-4	16-30	1130	500
	350	550	550	490	448	44-4	16-34	1250	550
	400	600	610	550	505	48-4	16-34	1430	600
450	650	660	600	555	50-4	20-34	1520	650	
500	700	730	660	510	52-4	20-41	1650	700	
600	800	840	770	718	56-5	20-41	1850	800	
700	900	955	875	815	60-5	24-48	170		
800	1000	1070	990	930	64-5	24-48	200		
4.0	40	200	145	110	85	18-3	4-18	360	76
	50	250	160	125	100	20-3	4-18	385	88
	65	280	180	145	120	22-3	8-18	360	110
	80	310	195	160	135	22-3	8-18	385	121
	100	350	230	190	160	24-3	8-23	430	150
	125	400	270	220	188	28-3	8-25	530	176
	150	450	300	250	218	30-3	8-28	620	204
	200	550	375	320	282	38-3	12-30	780	260
	250	650	445	385	345	42-3	12-34	900	313
6.4	40	240	165	125	95	24-3	4-23	300	76
	50	250	175	135	105	26-3	4-23	370	88
	65	280	200	160	130	28-3	8-23	385	110
	80	310	210	170	140	30-3	8-23	400	121
	100	350	250	200	168	32-3	8-25	460	150
	125	400	295	240	202	36-3	8-30	570	176
	150	450	340	280	240	38-3	8-34	660	204
	200	500	405	345	300	44-3	12-34	820	260
	250	650	470	400	352	48-3	12-41	1000	313



PN16.0MPa (160 压力)

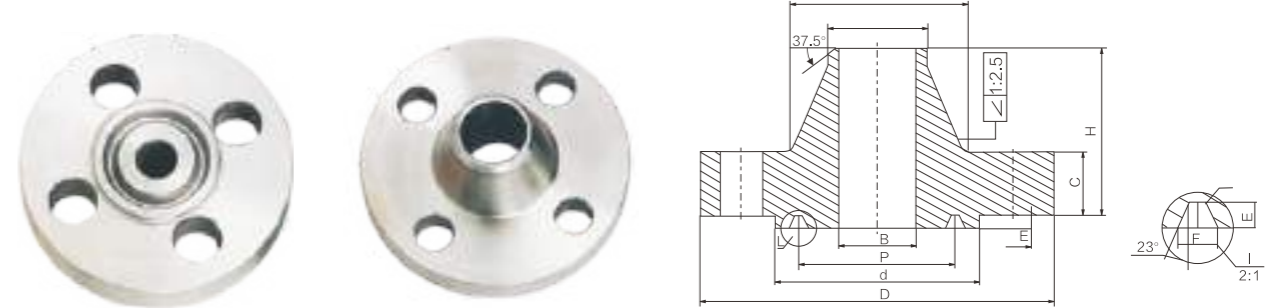
外形及连接尺寸 Main external and connecting dimensions

公称口径	钢管外径 (法兰焊端外径)		连接尺寸					法兰厚度	法兰颈				法兰高度	理论重量	
			法兰外径	螺栓孔中心圆直径	螺栓孔直径	螺栓孔数量	螺纹		N		S	H1			R
	A	B						A	B	H			(Kg)		
DN	A	B	D	K	L	n	Th	C	A	B	S	H1	R	H	(Kg)
10	17.2	14	100	70	14	4	M12	24	32	32	3	6	3	45	1.39
15	21.3	18	105	75	14	4	M12	26	34	34	3.2	6	3	45	1.65
20	26.9	25	130	90	18	4	M16	30	42	42	3.6	6	4	52	2.90
25	33.7	32	140	100	18	4	M16	32	52	52	3.6	8	4	58	3.61
32	42.4	38	155	110	22	4	M20	34	60	60	3.6	8	5	60	4.60
40	48.3	45	170	125	22	4	M20	36	70	70	4	10	5	64	5.92
50	60.3	57	195	145	26	4	M24	38	90	90	6	10	5	75	8.28
65	76.1	76	220	170	26	8	M24	42	108	108	7	12	6	82	10.8
80	88.9	89	230	180	26	8	M24	46	120	120	7	12	6	86	12.90
100	114.3	108	265	210	30	8	M27	52	150	150	8	12	6	100	19.6
125	139.7	133	315	250	33	8	M30X2	56	180	180	10.5	14	6	115	30.6
150	168.3	159	355	290	33	12	M30X2	62	210	210	12.5	14	8	128	42.2
200	219.1	219	430	360	36	12	M33X2	66	278	278	16	16	8	140	65.6
250	273	273	515	430	42	12	M39X3	76	340	340	20	18	10	155	106.4

外形及连接尺寸 Main external and connecting dimensions

PN25.0MPa (250 压力)

公称口径	钢管外径 (法兰焊端外径)		连接尺寸					法兰厚度	法兰颈				法兰高度	理论重量	
			法兰外径	螺栓孔中心圆直径	螺栓孔直径	螺栓孔数量	螺纹		N		S	H1 ≈			R
	A	B							A	B					
DN	A	B	D	K	L	n	Th	C	A	B	S	H1 ≈	R	H	(Kg)
10	17.2	14	125	85	18	4	M16	24	44	44	3	6	3	60	2.26
15	21.3	18	130	90	18	4	M16	26	48	48	3.2	6	3	60	2.65
20	26.9	25	135	95	18	4	M16	28	54	54	3.6	6	4	65	3.12
25	33.7	32	150	105	22	4	M20	28	60	60	3.6	8	4	65	3.74
32	42.4	38	165	120	22	4	M20	32	72	72	4	8	5	75	5.32
40	48.3	45	185	135	26	4	M24	34	84	84	5	10	5	80	7.08
50	60.3	57	200	150	26	8	M24	38	95	95	6.3	10	5	85	8.61
65	76.1	76	230	180	26	8	M24	42	124	124	8	12	6	95	13.2
80	101.6	102	255	200	30	8	M27	46	136	136	11	12	6	102	17.0
100	127	127	300	235	33	8	M30X2	54	164	164	14.2	14	6	120	28.1
125	152.4	159	340	275	33	12	M30X2	60	200	206	16	16	6	140	39.7
150	177.8	180	390	320	36	12	M33X2	68	240	242	17.5	18	8	160	60.5
200	244.5	-	485	400	42	12	M39X3	82	305	-	25	25	8	190	111.8



外形及连接尺寸 Main external and connecting dimensions

公称口径		钢管 外径 A	连接尺寸					法兰 厚度 C	法兰颈 N	法兰 内径 B	法兰 高度 H	F	E	R	d	P	理论 重量 (kg)
NPS (in)	DN		法兰 外径 D	螺栓 孔心圆 直径 K	螺栓 孔直 径 L	螺栓 孔数 n	螺纹 Th										
PN15MPa(900Lb)																	
1/2	15	21.3	120	82.5	22	4	M20	28.9	38	14	60	8.47	6.35	0.8	60.5	39.67	3.18
3/4	20	26.9	130	89	22	4	M20	31.9	44	18.5	70	8.47	6.35	0.8	66.5	44.45	3.18
1	25	33.7	150	101.5	26	4	M24	35.4	52	24.5	73	8.47	6.35	0.8	71.5	50.8	3.86
1 1/4	32	42.4	160	111	26	4	M24	35.4	64	32	73	8.47	6.35	0.8	81	60.32	4.45
1 1/2	40	48.3	180	124	29.5	4	M27	38.4	70	38	83	8.47	6.35	0.8	92	68.28	6.36
2	50	60.3	215	165	26	8	M24	46.5	105	49	102	11.91	7.92	0.8	124	95.25	10.9
2 1/2	65	76.1	245	190.5	29.5	8	M27	49.5	124	61.5	105	11.91	7.92	0.8	137	107.95	16.34
3	80	88.9	240	190.5	26	8	M24	46.5	127	72.5	102	11.91	7.92	0.8	156	123.82	13.2
4	100	114.3	290	235	32.5	8	M30	52.5	159	96.5	114	11.91	7.92	0.8	181	149.22	23.2
5	125	139.7	350	279.5	35.5	8	M33	59	190	119.5	127	11.91	7.92	0.8	216	180.98	39.1
6	150	168.3	380	317.5	32.5	12	M30	64	235	146	140	11.91	7.92	0.8	241	211.12	49.9
8	200	219.1	470	393.5	39	12	M36	71.5	298	194	162	11.91	7.92	0.8	308	269.88	84.9
10	250	273	545	470	39	16	M36	78	368	241	184	11.91	7.92	0.8	362	323.85	121.7
12	300	323.9	610	533.5	39	20	M36	87.5	419	288.5	200	11.91	7.92	0.8	419	381	168.9
14	350	355.6	640	559	42	20	M39	97.2	451	315.5	213	16.66	11.13	1.5	467	419.1	255.2
16	400	406.4	705	616	45	20	M42	100.2	508	362	216	16.66	11.13	1.5	524	469.9	311
18	450	457	785	686	51	20	M48	114.7	565	407	229	19.84	12.70	1.5	594	533.4	419.5
20	500	508	855	749.5	55	20	M52	120.7	672	452	248	19.84	12.70	1.5	648	584.2	528.5
24	600	610	1040	901.5	58	20	M64	155.9	749	546	267	26.97	15.88	2.4	772	692.15	956.6

外形及连接尺寸 Main external and connecting dimensions

公称直径		钢管 外径 A	连接尺寸					法兰 厚度 C	法兰 颈 N	法兰 内径 B	法兰 高度 H	F	E	R	d	P	理论 重量 (kg)
NPS (in)	DN		法兰 外径 D	螺栓 孔心圆 直径 K	螺栓 孔 直径 L	螺栓 孔数 n	螺纹 Th										
PN26MPa(1500Lb)																	
1/2	15	21.3	120	82.5	22	4	M20	28.9	38	12	12	8.74	6.35	0.8	60.5	39.67	3.18
3/4	20	26.9	130	89	22	4	M20	31.9	44	15.5	15.5	8.74	6.35	0.8	66.5	44.45	3.18
1	25	33.7	150	101.5	26	4	M24	35.4	52	21	21	8.74	6.35	0.8	71.5	50.8	3.86
1 1/4	32	42.4	160	111	26	4	M24	35.4	64	29.5	29.5	8.74	6.35	0.8	81	60.32	4.45
1 1/2	40	48.3	180	124	29.5	4	M27	38.4	70	34	34	8.74	6.35	0.8	92	68.28	6.36
2	50	60.3	215	165	26	8	M24	46.5	105	42.5	42.5	11.91	7.92	0.8	124	95.25	10.9
2 1/2	65	76.1	245	190.5	29.5	8	M27	49.5	124	56	56	11.91	7.92	0.8	137	107.95	16.34
3	80	88.9	265	203	32.5	8	M30	56	133	66.5	66.5	11.91	7.92	0.8	168	136.52	21.8
4	100	114.3	310	241.5	35.5	8	M33	62	162	85.5	85.5	11.91	7.92	0.8	194	161.92	31.3
5	125	139.7	375	292	42	8	M39	81.5	197	107.5	107.5	11.91	7.92	0.8	229	193.68	59.9
6	150	168.3	395	317.5	39	12	M36	92.6	229	133	133	13.49	9.52	1.5	248	211.12	74.5
8	200	219.1	485	393.5	45	12	M42	103.2	292	174.5	174.5	16.66	11.13	1.5	318	269.88	123.9
10	250	273	585	482.5	51	12	M48	119.2	368	217	217	16.66	11.13	1.5	371	323.85	206.1
12	300	323.9	675	571.5	55	16	M52	138.3	451	259.5	259.5	23.01	14.27	1.5	438	381	313.3
14	350	355.6	750	635	60	16	M56	149.4	495	283.5	283.5	26.97	15.88	2.4	489	419.1	406.5
16	400	406.4	825	705	68	16	M64	164	552	326	326	30.18	17.48	2.4	546	469.9	525
18	450	457	915	774.5	74	16	M70	179.5	597	367	367	30.18	17.48	2.4	613	533.4	687.2
20	500	508	985	832	80	16	M76	195.5	641	408	408	33.32	17.48	2.4	673	584.2	852.6
24	600	610	1170	990.5	94	16	M90	224.2	762	490	490	36.53	20.62	2.4	794	692.15	1366.8
PN42MPa(2500Lb)																	
1/2	15	21.3	135	89	22	4	M20	36.9	43	7	11	8.74	6.35	0.8	65	42.88	3.63
3/4	20	26.9	140	95	22	4	M20	38.4	51	10.5	14	8.74	6.35	0.8	73	50.8	4.09
1	25	33.7	160	108	26	4	M24	41.4	57	16	19	8.74	6.35	0.8	82.5	60.32	5.9
1 1/4	32	42.4	185	130	29.5	4	M27	46.5	73	22	25	11.91	7.92	0.8	102	72.24	9.08
1 1/2	40	48.3	205	146	32.5	4	M30	52.5	79	28	28	11.91	7.92	0.8	114	82.55	12.7
2	50	60.3	235	171.5	29.5	8	M27	59	95	38	38	11.91	7.92	0.8	133	101.6	19.1
2 1/2	65	76.1	265	197	32.5	8	M30	67.1	114	47.5	47	13.49	9.52	1.5	149	111.12	23.6
3	80	88.9	305	228.5	35.5	8	M33	76.6	133	56.5	57	13.49	9.52	1.5	168	127	42.7
4	100	114.3	355	273	42	8	M39	87.63	165	79	73	16.66	11.13	1.5	203	157.18	66.3
5	125	139.7	420	324	48	8	M45	105.2	203	99.5	92	19.84	12.7	1.5	241	190.5	110.8
6	150	168.3	485	368	55	8	M52	120.7	235	123.5	111	19.84	12.7	1.5	279	228.6	171.6
8	200	219.1	550	438	55	12	M52	141.3	305	174.5	146	23.01	14.27	1.5	340	279.4	261.5
10	250	273	675	539.5	68	12	M64	183	375	223	184	30.18	17.48	2.4	425	342.9	484.9
12	300	323.9	760	619	74	12	M70	202.4	441	273.5	219	33.32	17.48	2.4	495	406.4	730.1