

www.020zr.cn  
www.O2Ozr.com



**深中笃行·阀瑞智造**

**您值得信赖** 的阀门制造商  
Your trusted valve manufacturer



**广州市中瑞机电设备有限公司**  
Guangzhou Zhong Rui mechanical and Electrical Equipment Co., Ltd.

地址：广州市天河区大观南路26号 C212室  
电话：020-89889458 手机：13928878797  
传真：020-89889458 邮编：510300  
邮箱：13928878797@163.com



**广州市中瑞机电设备有限公司**  
Guangzhou Zhong Rui mechanical and Electrical Equipment Co., Ltd.



追求品质 **卓越**，尽显企业 **精华**  
The pursuit of excellent quality, enterprise essence

广州市中瑞机电设备有限公司是一家专业的阀门生产经营企业。在阀门管件领域，我司拥有雄厚的技术以及经验储备。公司现拥有一流的设备，以及经验丰富的技术人员和生产工人，同时引进了国际一流的数控加工设备和技術。主营：工业级闸阀、球阀、截止阀、止回阀。公司产品严格按照ISO2037国际标准、DIN11850德国标准、IDF欧洲标准、3A美国标准、JISG3459/3447日本标准、中国GB、JB以及企业标准组织生产，并可根据客户特殊要求设计、冶炼和制造。产品广泛运用于乳制品、啤酒、葡萄酒、生物工程、食品、制药、饮料、化妆品及化工领域。产品以其合理的结构、卓越的性能、精湛的工艺，深得客户的信赖和支持。

Guangzhou Zhongrui Mechanical and Electrical Equipment Co., Ltd. is a professional valve production and operation enterprise. In the field of valve fittings, our company has strong technical and experience reserves. The company now has first-class equipment, experienced technicians and production workers, while introducing the first-class international CNC processing equipment and technology. Main business: industrial gate valves, ball valves, globe valves, check valves. Our products are manufactured in strict accordance with ISO2037 international standard, DIN11850 German standard, IDF European standard, 3A American standard, JISG3459/3447 Japanese standard, China GB, JB and enterprise standard, and can be designed, smelted and manufactured according to customers'special requirements. Products are widely used in dairy products, beer, wine, bioengineering, food, pharmaceuticals, beverages, cosmetics and chemical industries. With its reasonable structure, excellent performance and exquisite craftsmanship, our products have won the trust and support of customers.

# FLANGE VALVE SERIES

## 法兰阀门系列



国标法兰球阀  
GB Flanged ball valve

三片式法兰球阀  
3PC Flange ball valve

薄型法兰球阀  
Wafer thin type Flanged ball valve

三片式法兰球阀  
3PC Flange ball valve



一体式法兰球阀  
Integral Flanged ball valve

一体式法兰球阀  
Integral Flanged ball valve

国标法兰球阀  
GB Flanged ball valve

德标法兰球阀  
DIN Flange ball valve



法兰球阀  
Flanged ball valve

三通法兰球阀  
Tee Flanged ball valve

一体式法兰球阀  
Integral Flanged ball valve

日标高平台法兰球阀  
JIS High platform Flange ball valve

# FLANGE VALVE SERIES

## 法兰阀门系列



国标、德标截止阀  
GB/DIN Globe valve

日标闸阀  
JIS Gate valve

日标截止阀  
JIS Globe valve

日标闸阀  
JIS Gate valve

美标截止阀  
ASME Globe valve



美标止回阀  
ANSI Swing check valve



日标止回阀  
JIS Swing check valve



国标、德标法兰过滤器  
GB/T DIN Flange strainer



日标过滤器  
JIS Strainer



# CHIP SERIES

## 片式系列

# CHIP SERIES

## 片式系列



迷你球阀  
Mini ball valve



一片式内螺纹球阀  
1PC type ball valve with internal thread



广式内外螺纹球阀  
Cantonese internal and external thread ball valve



广式外螺纹球阀  
Cantonese external thread ball valve



三通丝扣球阀  
Tee threaded ball valve



三片式焊接球阀  
1PC welded ball valve



三片式快装球阀  
1PC fast loading ball valve



内螺纹三通球阀  
Internal thread Tee ball valve



2000/3000WOG三片式平台球阀  
1PC platform ball valve



双球广式球阀  
Ball valve for air supply



二片式内外螺纹球阀  
2PC internal and external screw thread ball valve



广式Q21球阀  
Cantonese ball valve



广式Q21带接管球阀  
Cantonese take over ball valve



二片式高压球阀  
2PC high pressure ball valve



三片式内螺纹球阀  
3PC internal thread ball valve



内螺纹三通球阀  
Internal thread tee ball valve



三片式2000/3000WOG球阀  
3PC ball valve



广式内螺纹球阀  
Cantonese internal thread ball valve



广式外螺纹球阀  
Cantonese external thread ball valve



广式内螺纹球阀  
Cantonese internal thread ball valve



二片式内螺纹球阀  
2PC internal thread ball valve



一片式内螺纹球阀  
1PC internal thread ball valve



二片式内螺纹球阀  
2PC internal thread ball valve



二片式外螺纹球阀  
2PC external thread ball valve



三片式内螺纹球阀  
3PC internal thread ball valve



船用阀/罐底放料阀  
Marine valve/tank bottom discharge valve



船用阀/罐底放料阀  
Marine valve/tank bottom discharge valve



三片式内螺纹球阀  
3PC internal thread ball valve



# CHECK VALVE SERIES

## 止回阀系列



苏式内螺纹截止阀  
Soviet internal thread globe valve



美式内螺纹截止阀  
ANSI/ASME internal thread globe valve



H71对夹式止回阀  
Wafer check valve



H74对夹式止回阀  
Wafer check valve



H76对夹式止回阀  
Wafer check valve



H14内螺纹止回阀  
Internal thread check valve



H12内螺纹止回阀  
Internal thread check valve



H76对夹式止回阀  
Wafer check valve



气动螺纹角座阀  
Pneumatic thread angle seat valve



Y型内螺纹过滤器  
Y type internal thread filter



Y型内螺纹过滤器  
Y type internal thread filter



01/02 国标法兰球阀  
GB/T Flange ball valve



03/04 美标法兰球阀  
ANSI/ASME Flange ball valve



05/06 日标法兰球阀  
JIS Flange ball valve



07/08 德标法兰球阀  
DIN Flange ball valve



09/10 国标/德标闸阀  
GB/T/DIN Gate valve



11/12 美标/日标闸阀  
ANSI/ASME/JIS Gate valve



13/14 国标/德标截止阀  
GB/T/DIN Globe valve



15 美标截止阀  
ANSI/ASME Globe valve



16 日标截止阀  
JIS Globe valve



17/18 国标/德标止回阀  
GB/T/DIN Check valve



19/20 美标/日标止回阀  
ANSI/ASME/JIS Check valve



21/22 美标/日标过滤器  
ANSI/ASME/JIS Strainer



23 国标法兰过滤器  
GB/T Flange strainer



24 薄法兰球阀型  
Thin flange ball valve



25 一体式防泄漏球阀  
Integral leakproof ball valve



26 一片式内螺纹球阀  
1PC Internal thread ball valve



27/29 二片式内螺纹球阀  
2PC Internal thread ball valve



30 三片式法兰球阀  
3PC flanged ball valve



31 三片式平台球阀  
3PC Platform ball valve



32 三片式焊接球阀  
3PC welded ball valve



33 三片式内螺纹球阀  
3PC Internal thread ball valve



34 三通法兰L/T型球阀  
Flange tee ball valve



35 卫生级快装球阀  
Sanitary fast loading ball valve



36 内螺纹T/L三通球阀  
Internal thread tee ball valve



37/38 高压球阀800LB-16MPa  
High pressure ball valve



39 二片式外螺纹球阀  
2PC External thread ball valve



40 碳钢六角球阀  
Carbon steel hexagonal ball valve



41 船用阀/罐底放料阀  
Marine valve/Tank bottom discharge valve



42 迷你球阀  
Mini ball valve



43 不锈钢内螺纹闸阀  
Stainless steel internal thread gate valve



44 美式内螺纹截止阀  
ANSI/ASME Internal thread globe valve



45 内螺纹止回阀  
Internal thread check valve



46 对夹式止回阀  
Wafer check valve



47 Y型内螺纹过滤器  
Y type internal thread filter

## 国标法兰球阀

GB/T Flange Ball Valve

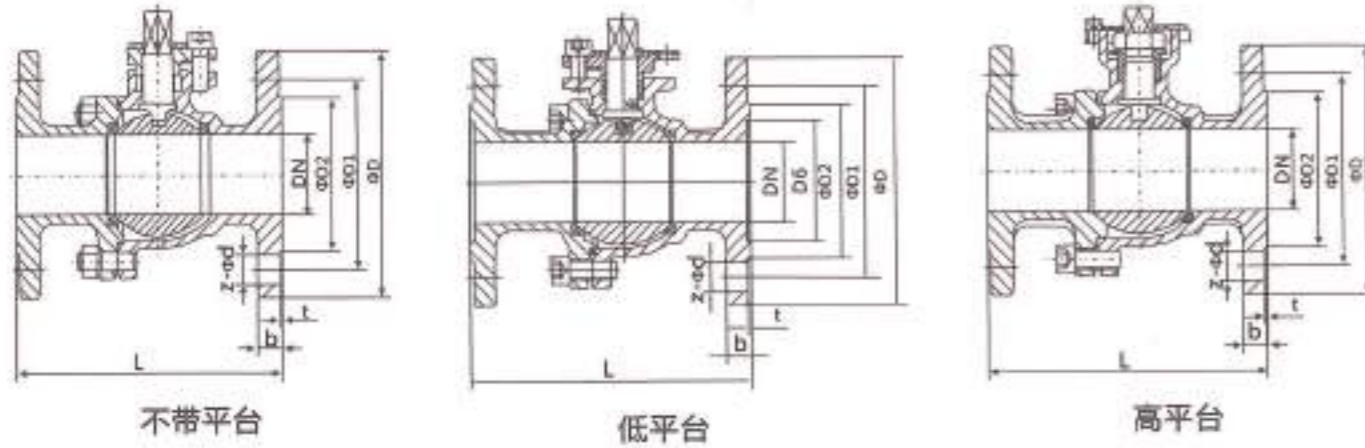
(WCB, CF8, CF8M, Ti, Ni)



## 国标法兰球阀

GB/T Flange Ball Valve

(WCB, CF8, CF8M, Ti, Ni)



### 设计标准

技术规范: 国标  
设计标准: GB/T 12237  
结构长度: GB/T 12221  
连接法兰: GB/T9113 JB79 HG20592  
试验与检验: GB/T12237 JB9092

### Design standards

Technical Specification: GB/T  
Design Standard: GB/T 12237  
Face to Face: GB/T 12221  
Flanged End: GB/T 9113 JB79 HG20592  
Test and Inspection: GB/T 12237 JB 9092

### 性能规范

公称压力: 1.6, 2.5, 4.0, 6.3MPa  
强度实验: 2.4, 3.8, 6.0, 9.5MPa  
密封试验: 1.8, 2.8, 4.4, 7.0MPa  
上密封试验: 1.8, 2.8, 4.4, 7.0MPa  
气密封试验: 0.6MPa

阀门主体材料: WCB(C), CF8(P), CF3(PL), CF8M(R), CF3M(RL)

适用介质: 水、蒸汽、油品、硝酸类、醋酸类  
适用温度: -29°C~180°C

### Specifications

Nominal pressure: 1.6, 2.5, 4.0, 6.3MPa  
Strength test: 2.4, 3.8, 6.0, 9.5MPa  
Seal test: 1.8, 2.8, 4.4, 7.0MPa  
Back seal test: 1.8, 2.8, 4.4, 7.0MPa  
Gas seal test: 0.6MPa

Valve body material: WCB(C), CF8(P), CF3(PL), CF8M(R), CF3M(RL)

Suitable medium: water, steam, oil products, nitric acid, acetic acid  
Suitable temperature: -29°C~180°C

### 主要零件材料 Materials of main parts

材料名称 Material name	碳钢 Carbon steel	不锈钢 Stainless steel
阀体 Body	A216 WCB	A351 CF8, A351 CF8
阀盖 Bonnet	A216 WCB	A351 CF8, A351 CF8
球体 Ball	A276 304/A276 316	
阀杆 Stem	2Cr13/A276 304/A276 316	
阀座 Seat	PTFE, RPTFE	
填料 Gland Packing	PTFE/柔性石墨 PTFE, Flexible Graphite	
压盖 Gland	A216 WCB	A351 CF8
螺栓 Bolt	A193-B7	A193-B8M
螺母 Nut	A194-2H	A194-B

### 主要外形尺寸和连接尺寸 Main dimensions and connection dimensions

国标(GB)1.6Mpa 单位: mm

公称直径 DN(mm)	L		D	D1	D2	b	t	z-Φd
	结构长度	密封长度						
15	108	130	95	65	45	14	2	4-Φ14
20	117	130	105	75	55	14	2	4-Φ14
25	127	140	115	85	65	14	2	4-Φ14
32	140	165	140/135	100	78	16	2	4-Φ18
40	165	165	150/145	110	85	16	3	4-Φ18
50	178	203	165/160	125	100	16	3	4-Φ18
65	190	222	185/180	145	120	18	3	4-Φ18
80	203	241	200/195	160	135	20	3	8-Φ18
100	229	280	220/215	180	155	20	3	8-Φ18
125	-	320	250/245	210	185	22	3	8-Φ18
150	-	360	285/280	240	210	22	3	8-Φ23
200	-	457	340/335	295	265	24	3	12-Φ23
250	-	533	405	355	320	26	3	12-Φ25
300	-	610	460	410	375	28	4	12-Φ25
350	-	686	520	470	435	32	4	16-Φ25
400	-	762	580	525	485	36	4	16-Φ30

国标(GB)2.5Mpa 单位: mm

公称直径 DN(mm)	L		D	D1	D2	b	t	z-Φd
	结构长度	密封长度						
15	108	130	95	65	45	16	2	4-Φ14
20	117	130	105	75	55	16	2	4-Φ14
25	127	140	115	85	65	16	2	4-Φ14
32	140	165	140/135	100	78	18	2	4-Φ18
40	165	165	150/145	110	85	18	3	4-Φ18
50	178	203	165/160	125	100	20	3	4-Φ18
65	190	222	185/180	145	120	22	3	8-Φ18
80	203	241	200/195	160	135	22	3	8-Φ18
100	229	280	230	190	160	24	3	8-Φ23
125	-	320	270	220	188	26	3	8-Φ25
150	-	360	300	250	218	28	3	8-Φ25
200	-	457	360	310	278	30	3	12-Φ25
250	-	533	425	370	332	32	3	12-Φ30
300	-	610	485	430	390	36	4	16-Φ30
350	-	686	555/550	490	448	40	4	16-Φ34
400	-	762	620/610	550	505	44	4	16-Φ34

国标(GB)4.0Mpa 单位: mm

公称直径 DN(mm)	L	D	D1	D2	D6	b	t	z-Φd
20	152	105	75	55	51	16	2	4-Φ14
25	165	115	85	65	58	16	2	4-Φ14
32	178	140/135	100	78	66	18	2	4-Φ18
40	190	150/145	110	85	76	18	3	4-Φ18
50	216	165/160	125	100	88	20	3	4-Φ18
65	241	185/180	145	120	110	22	3	8-Φ18
80	283	200/195	160	135	121	24	3	8-Φ18
100	305	220/215	190	160	150	26	3	8-Φ23
125	381	270	220	188	176	28	3	8-Φ25
150	403	300	250	218	204	30	3	8-Φ25
200	419	375	320	282	260	38	3	12-Φ30
250	457	450/445	385	345	313	42	3	12-Φ34
300	502	515/510	450	408	364	46	4	16-Φ34
350	762	580/570	510	465	422	52	4	16-Φ34
400	838	660/665	585	535	474	58	4	16-Φ41

国标(GB)6.3Mpa 单位: mm

公称直径 DN(mm)	L	D	D1	D2	D6	b	t	z-Φd
20	152	130/125	90	68	51	20	2	4-Φ18
25	165	140/135	100	78	58	22	2	4-Φ18
32	178	155/150	110	82	66	24	2	4-Φ23
40	190	170/165	125	95	76	24	3	4-Φ23
50	216	180/175	135	105	88	26	3	4-Φ23
65	241	205/200	160	130	110	28	3	8-Φ23
80	283	215/210	170	140	121	30	3	8-Φ23
100	305	250	200	168	150	32	3	8-Φ25
125	381	295	240	202	176	36	3	8-Φ30
150	403	345/340	280	240	204	38	3	8-Φ34
200	419	415/405	345	300	260	44	3	12-Φ34
250	457	470	400	352	313	48	3	12-Φ41
300	502	530	460	412	364	54	3	16-Φ41
350	762	600/595	525	475	422	60	3	16-Φ41

## 美标法兰球阀

ANSI/ASME  
Flange Ball Valve

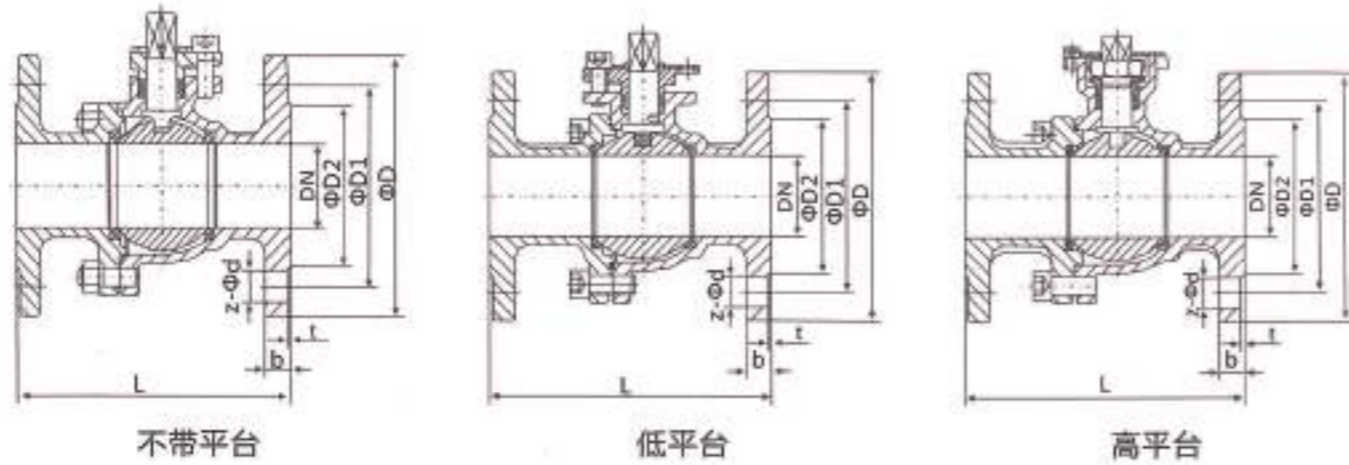
(WCB, CF8, CF8M, Ti, Ni)



## 美标法兰球阀

ANSI/ASME  
Flange Ball Valve

(WCB, CF8, CF8M, Ti, Ni)



### 设计标准

技术规范：美标  
设计标准：API6D API608  
结构长度：ASME B16.10  
连接法兰：ASME B16.5  
试验与检验：API6D API598  
Design standards  
Technical Specification：ASME/ANSI  
Design and Manufacture：API6D API608  
Structure Length：ASME B16.10  
Flanged end：ASME B16.5  
Inspection and Test：API6D API598

### 性能规范

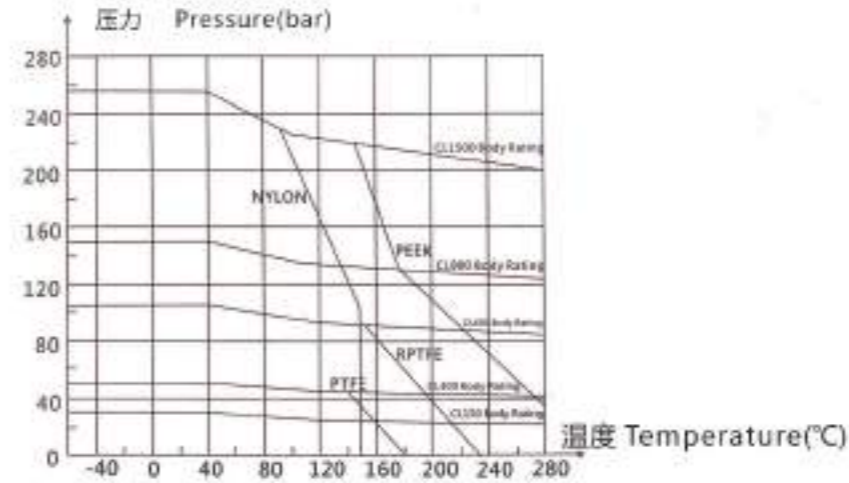
公称压力：150,300,600LB  
强度实验：PT3.0,7.5,15MPa  
密封试验：2.2,5.5,11MPa  
上密封试验：2.2,5.5,11MPa  
气密封试验：0.6MPa  
阀门主体材料：WCB(C), CF8(P),CF3(PL)  
CF8M(R),CF3M(RL)  
适用介质：水、蒸汽、油品、  
硝酸类、醋酸类  
适用温度：-29℃~180℃

### Specifications

Nominal pressure：150,300,600LB  
Strength test：PT3.0,7.5,15MPa  
Seal test：2.2,5.5,11MPa  
Back seal test：2.2,5.5,11MPa  
Gas seal test：0.6MPa  
Valve body material：WCB(C), CF8(P),CF3(PL)  
CF8M(R),CF3M(RL)  
Suitable medium：water, steam, oil products,  
nitric acid, acetic acid  
Suitable temperature：-29℃~180℃

### 主要零件材料 Materials of main parts

材料名称 Material name	碳钢 Carbon steel	不锈钢 Stainless steel
阀体 Body	A216 WCB	A351 CF8 A351 CF8
阀盖 Bonnet	A216 WCB	A351 CF8 A351 CF8
球体 Ball	A276 304/A276 316	
阀杆 Stem	2Cr13/A276 304/A276 316	
阀座 Seat	PTFE, RPTFE	
填料 Gland Packing	PTFE/柔性石墨 PTFE, Flexible Graphite	
压盖 Gland	A216 WCB	A351 CF8
螺栓 Bolt	A193-B7	A193-B8M
螺母 Nut	A194-2H	A194-B



### 主要外形尺寸和连接尺寸 Main dimensions and connection dimensions

美标(ANSI)150LB 单位：mm

ANSI 150LB Nominal Pressure		L	D	D1	D2	b	t	z-φd
in	DN							
1/2"	15	108	90	60.3	34.9	11.5	1.6	4-φ16
3/4"	10	117	100	69.9	42.9	13	1.6	4-φ16
1"	25	127	110	79.4	50.8	14.5	1.6	4-φ16
1 1/4"	32	140	115	88.9	63.5	16	1.6	4-φ16
1 1/2"	40	165	125	98.4	73	17.5	1.6	4-φ16
2"	50	178	150	120.7	92.1	19.5	1.6	4-φ19
2 1/2"	65	190	180	139.7	104.8	22.5	1.6	4-φ19
3"	80	203	190	152.4	127	24	1.6	4-φ19
4"	100	229	230	190.5	157.2	24	1.6	8-φ19
5"	125	356	255	215.9	185.7	24	1.6	8-φ22
6"	150	394	280	241.3	215.9	25.5	1.6	8-φ22
8"	200	457	345	298.5	269.9	29	1.6	8-φ22
10"	250	533	405	362	323.8	30.5	1.6	12-φ25
12"	300	610	485	431.8	381	32	1.6	12-φ25
14"	350	686	535	476.3	412.8	35.0	1.6	12-φ29
16"	400	762	595	539.8	469.9	37	1.6	16-φ29

美标(ANSI)300LB 单位：mm

ANSI 300LB Nominal Pressure		L	D	D1	D2	b	t	z-φd
in	DN							
1/2"	15	140	95	66.7	34.9	14.5	1.6	4-φ16
3/4"	10	152	115	82.6	42.9	16	1.6	4-φ19
1"	25	165	125	88.9	50.8	17.5	1.6	4-φ19
1 1/4"	32	178	135	98.4	63.5	19.5	1.6	4-φ19
1 1/2"	40	190	155	114.3	73	21	1.6	4-φ22
2"	50	216	165	127	92.1	22.5	1.6	8-φ19
2 1/2"	65	241	190	149.2	104.8	25.5	1.6	8-φ22
3"	80	282	210	168.3	127	29	1.6	8-φ22
4"	100	305	255	200	157.2	32	1.6	8-φ22
5"	125	381	280	235	185.7	35	1.6	8-φ22
6"	150	403	320	269.9	215.9	37	1.6	12-φ22
8"	200	502	380	330.2	269.9	41.5	1.6	12-φ25
10"	250	568	445	387.4	323.8	48	1.6	16-φ29
12"	300	648	520	450.8	381	51.0	1.6	16-φ32
14"	350	762	585	514.4	412.8	54.0	1.6	20-φ32
16"	400	838	650	571.5	469.9	57.5	1.6	20-φ35

美标(ANSI)600LB 单位：mm

ANSI 600LB Nominal Pressure		L	D	D1	D2	b	t	z-φd
in	DN							
1/2"	15	165	95	66.7	34.9	21	6.4	4-φ16
3/4"	20	190	115	82.6	42.9	23	6.4	4-φ19
1"	25	216	125	88.9	50.8	24	6.4	4-φ19
1 1/4"	32	229	135	98.4	63.5	27.5	6.4	4-φ19
1 1/2"	40	241	155	114.3	73	29	6.4	4-φ22
2"	50	292	165	127	92.1	32	6.4	8-φ19
2 1/2"	65	330	190	149.2	104.8	35	6.4	8-φ22
3"	80	356	210	168.3	127	38.5	6.4	8-φ22
4"	100	432	275	215.9	157.2	45	6.4	8-φ25
5"	125	508	330	266.7	185.7	51.5	6.4	8-φ29
6"	150	559	355	292.1	215.9	54.5	6.4	12-φ29
8"	200	660	420	349.2	269.9	62	6.4	12-φ32
10"	250	787	510	431.8	323.8	70	6.4	16-φ35
12"	300	838	560	489	381	73.5	6.4	20-φ35
14"	350	889	605	527	412.8	76.5	6.4	20-φ39

## 目标法兰球阀

JIS Flange Ball Valve

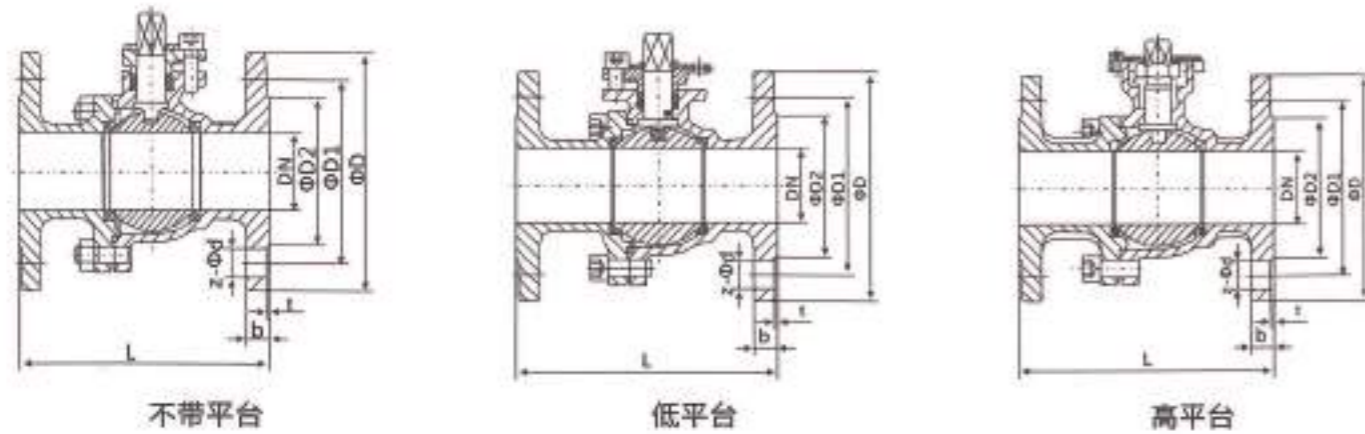
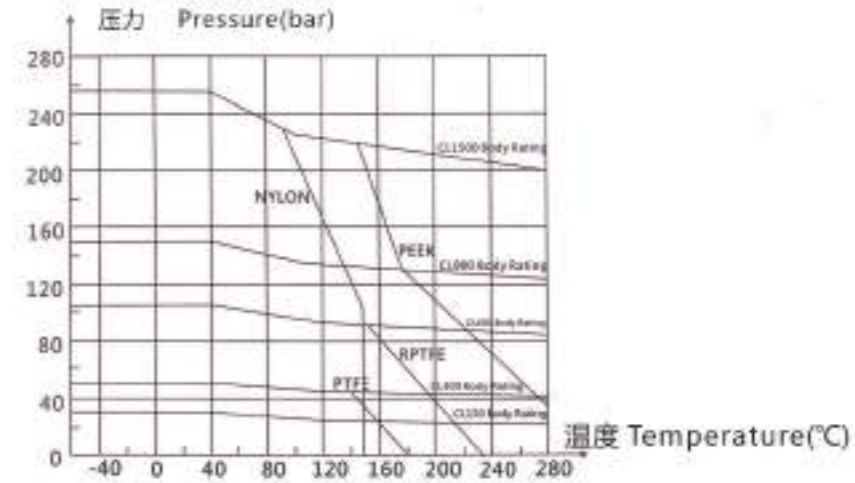
(WCB, CF8, CF8M, Ti, Ni)



## 目标法兰球阀

JIS Flange Ball Valve

(WCB, CF8, CF8M, Ti, Ni)



### 设计标准

技术规范：目标  
设计标准：JIS B2071  
结构长度：JIS B2002  
连接法兰：JIS B2212, B2214  
试验与检验：JIS B2003

### Design standards

Technical Specification: JIS  
Design Standards: JIS B2071  
Structure Length: JIS B2002  
Flanged end: JIS B2212, B2214  
Inspection and Test: JIS B2003

### 性能规范

公称压力：10K, 20K  
强度实验：PT2.4, 5.8MPa  
密封试验：1.5, 4.0MPa  
上密封试验：1.5, 4.0MPa  
气密封试验：0.6MPa  
阀门主体材料：WCB(C), CF8(P), CF3(PL), CF8M(R), CF3M(RL)  
适用介质：水、蒸汽、油品、硝酸类、醋酸类  
适用温度：-29°C~180°C

### Specifications

Nominal pressure: 10K, 20K  
Strength test: PT2.4, 5.8MPa  
Seal test: 1.5, 4.0MPa  
Back seal test: 1.5, 4.0MPa  
Gas seal test: 0.6MPa  
Valve main material: WCB(C), CF8(P), CF3(PL), CF8M(R), CF3M(RL)  
Applicable medium: water, steam, oil, Nitric acid, acetic acid  
Applicable temperature: -29°C~180°C

### 主要零件材料 Materials of main parts

材料名称 Material name	碳钢 Carbon steel	不锈钢 Stainless steel	
阀体 Body	A216 WCB	A351 CF8	A351 CF8
阀盖 Bonnet	A216 WCB	A351 CF8	A351 CF8
球体 Ball	A276 304/A276 316		
阀杆 Stem	2Cr13/A276 304/A276 316		
阀座 Seat	PTFE, RPTFE		
填料 Gland Packing	PTFE/柔性石墨 PTFE, Flexible Graphite		
压盖 Gland	A216 WCB	A351 CF8	
螺栓 Bolt	A193-B7	A193-B8M	
螺母 Nut	A194-2H	A194-B	

### 目标(JIS)10K 单位: mm

公称口径 Nominal Diameter		L	D	D1	D2	b	t	z-φd
in	DN							
1/2"	15	108	95	70	52	12	1	4-φ15
3/4"	10	117	100	75	58	14	1	4-φ15
1"	25	127	125	90	70	14	1	4-φ19
1 1/4"	32	140	135	100	80	16	2	4-φ19
1 1/2"	40	165	140	105	85	16	2	4-φ19
2"	50	178	155	120	100	16	2	4-φ19
2 1/2"	65	190	175	140	120	18	2	4-φ19
3"	80	203	185	150	130	18	2	4-φ19
4"	100	229	210	175	155	18	2	8-φ19
5"	125	300/356	250	210	185	20	2	8-φ23
6"	150	340/394	280	240	215	22	2	8-φ23
8"	200	450/457	330	290	265	22	2	12-φ23
10"	250	533	400	355	325	24	2	12-φ25
12"	300	610	445	400	370	24	2	16-φ25
14"	350	686	490	445	415	26	2	16-φ25
16"	400	762	560	510	475	28	2	16-φ25

### 目标(JIS)20K 单位: mm

公称口径 Nominal Diameter		L	D	D1	D2	b	t	z-φd
in	DN							
1/2"	15	140	95	70	52	14	1	4-φ15
3/4"	10	152	100	75	58	16	1	4-φ15
1"	25	165	125	90	70	16	1	4-φ19
1 1/4"	32	178	135	100	80	18	2	4-φ19
1 1/2"	40	190	140	105	85	18	2	4-φ19
2"	50	216	155	120	100	18	2	8-φ19
2 1/2"	65	241	175	140	120	20	2	8-φ19
3"	80	282	200	160	135	22	2	8-φ23
4"	100	305	225	185	160	24	2	8-φ23
5"	125	381	270	225	195	26	2	8-φ25
6"	150	403	305	260	230	28	2	12-φ25
8"	200	502	350	305	275	30	2	12-φ25
10"	250	568	430	380	345	34	2	12-φ27
12"	300	648	480	430	395	35	3	16-φ27
14"	350	762	540	480	440	40	3	16-φ33
16"	400	838	605	540	495	46	3	16-φ33



## 德标法兰球阀

DIN Flange Ball Valve

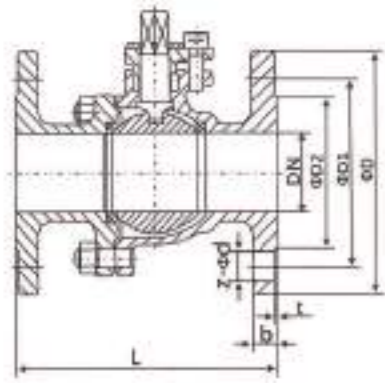
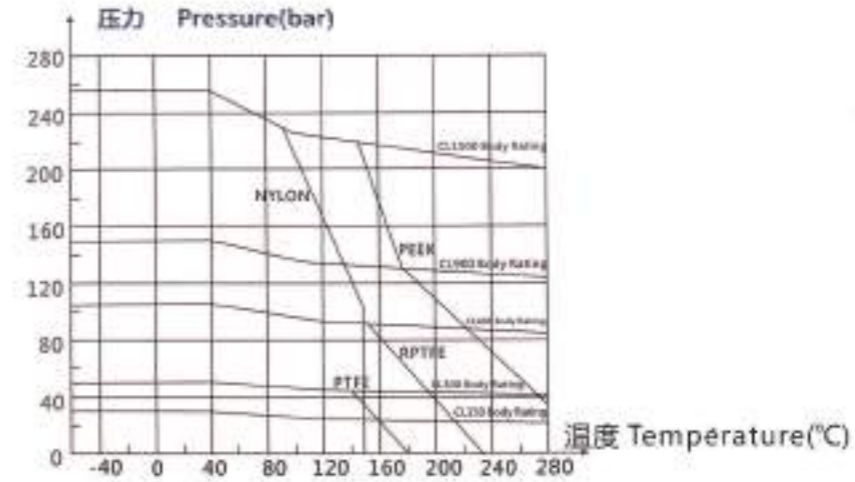
(WCB, CF8, CF8M, Ti, Ni)



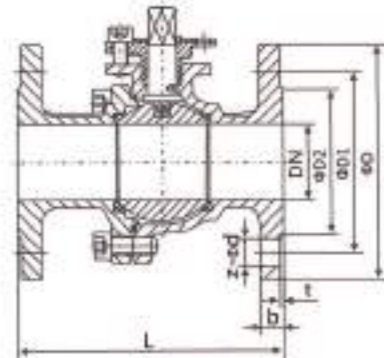
## 德标法兰球阀

DIN Flange Ball Valve

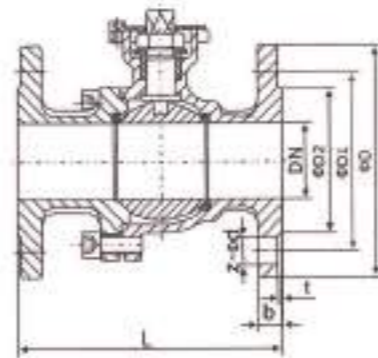
(WCB, CF8, CF8M, Ti, Ni)



不带平台



低平台



高平台

### 设计标准

技术规范：德标  
设计标准：DIN3357  
结构长度：DIN3202  
连接法兰：DIN2542-2546  
试验与检验：DIN3230

### Design standards

Technical Specification: DIN  
Design and Manufacture: DIN3357  
Structure Length: DIN3202  
Flanged end: DIN2542-2546  
Test and Inspection: DIN3230

### 性能规范

公称压力：1.6, 2.5, 4.0, 6.3MPa  
强度实验：2.4, 3.8, 6.0, 9.5MPa  
密封试验：1.8, 2.8, 4.4, 7.0MPa  
上密封试验：1.8, 2.8, 4.4, 7.0MPa  
气密封试验：0.6MPa

阀门主体材料：WCB(C), CF8(P), CF3(PL), CF8M(R), CF3M(RL)

适用介质：水、蒸汽、油品、  
磷酸类、醋酸类  
适用温度：-29°C~180°C

### Specifications

Nominal pressure: 1.6, 2.5, 4.0, 6.3MPa  
Strength test: 2.4, 3.8, 6.0, 9.5MPa  
Seal test: 2.4, 3.8, 6.0, 9.5MPa  
Back seal test: 2.4, 3.8, 6.0, 9.5MPa  
Gas seal test: 0.6MPa

Valve main material: WCB(C), CF8(P), CF3(PL), CF8M(R), CF3M(RL)

Applicable medium: water, steam, oil products;  
nitric acid, acetic acid  
Applicable temperature: -29°C~180°C

### 主要零件材料 Materials of main parts

材料名称 Material name	碳钢 Carbon steel	不锈钢 Stainless steel	
阀体 Body	A216 WCB	A351 CF8	A351 CF8
阀盖 Bonnet	A216 WCB	A351 CF8	A351 CF8
球体 Ball	A276 304/A276 316		
阀杆 Stem	2Cr13/A276 304/A276 316		
阀座 Seat	PTFE, RPTFE		
填料 Gland Packing	PTFE/柔性石墨 PTFE, Flexible Graphite		
压盖 Gland	A216 WCB	A351 CF8	
螺栓 Bolt	A193-B7	A193-B8M	
螺母 Nut	A194-2H	A194-B	

### 主要外形尺寸和连接尺寸 Main dimensions and connection dimensions

#### 德标(DIN)1.6Mpa PN(16bar)

公称口径 DN(mm)	L	D	D1	D2	b	t	z-Φd
15	115	95	65	45	16	2	4-Φ14
20	120	105	75	58	18	2	4-Φ14
25	125	115	85	68	18	2	4-Φ14
32	130	140	100	78	18	2	4-Φ18
40	140	150	110	88	18	3	4-Φ18
50	150	165	125	102	20	3	4-Φ18
65	170	185	145	122	20	3	4-Φ18
80	180	200	160	138	20	3	8-Φ18
100	190	220	180	158	20	3	8-Φ18
125	325	250	210	188	22	3	8-Φ18
150	350	285	240	212	22	3	8-Φ22
200	400	340	295	268	24	3	12-Φ22
250	450	405	355	320	26	3	12-Φ26
300	500	460	410	378	28	4	12-Φ26
350	550	520	470	438	30	4	16-Φ26
400	600	580	525	490	32	4	16-Φ30

#### 德标(DIN)2.5Mpa PN(25bar)

公称口径 DN(mm)	L	D	D1	D2	b	t	z-Φd
15	115	95	65	45	16	2	4-Φ14
20	120	105	75	58	18	2	4-Φ14
25	125	115	85	68	18	2	4-Φ14
32	130	140	100	78	18	2	4-Φ18
40	140	150	110	88	18	3	4-Φ18
50	150	165	125	102	20	3	4-Φ18
65	170	185	145	122	22	3	8-Φ18
80	180	200	160	138	24	3	8-Φ18
100	190	235	190	162	24	3	8-Φ22
125	325	270	220	188	26	3	8-Φ26
150	350	300	250	218	28	3	8-Φ26
200	400	360	310	278	30	3	12-Φ26
250	450	425	370	335	32	3	12-Φ30
300	500	485	430	395	34	4	16-Φ30
350	550	555	490	450	38	4	16-Φ33
400	600	620	550	505	40	4	16-Φ36

#### 德标(DIN)4.0Mpa PN(40bar)

公称口径 DN(mm)	L	D	D1	D2	b	t	z-Φd
15	115	95	65	45	16	2	4-Φ14
20	120	105	75	58	18	2	4-Φ14
25	125	115	85	68	18	2	4-Φ14
32	130	140	100	78	18	2	4-Φ18
40	140	150	110	88	18	3	4-Φ18
50	150	165	125	102	20	3	4-Φ18
65	170	185	145	122	20	3	8-Φ18
80	180	200	160	138	24	3	8-Φ18
100	190	235	190	165	24	3	8-Φ22
125	325	270	220	188	26	3	8-Φ26
150	350	300	250	218	28	3	8-Φ26
200	400	375	320	285	34	3	12-Φ30
250	450	450	385	345	38	3	12-Φ33
300	500	515	450	410	42	4	16-Φ33
350	550	580	510	465	46	4	16-Φ36
400	600	660	585	535	50	4	16-Φ39

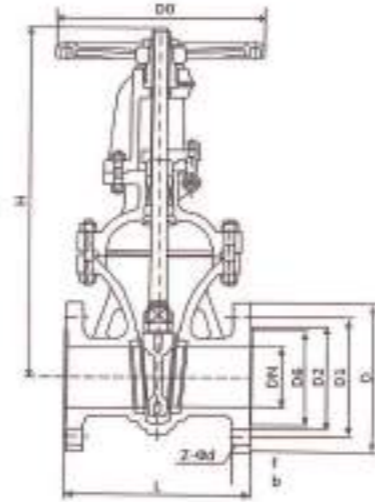
#### 德标(DIN)6.4Mpa PN(64bar)

公称口径 DN(mm)	L	D	D1	D2	b	t	z-Φd
15	140	105	75	45	20	2	4-Φ14
20	152	130	90	58	20	2	4-Φ18
25	165	140	100	68	24	2	4-Φ18
32	178	155	110	75	24	2	4-Φ22
40	190	170	125	88	26	3	4-Φ22
50	216	180	135	102	26	3	4-Φ22
65	241	205	160	122	26	3	8-Φ22
80	283	215	170	138	28	3	8-Φ22
100	305	250	200	162	30	3	8-Φ26
125	381	295	240	188	34	3	8-Φ30
150	403	345	280	218	36	3	8-Φ33
200	419	415	345	285	42	3	12-Φ36
250	457	470	400	345	46	3	12-Φ36
300	502	530	460	410	52	3	16-Φ36
350	762	600	525	465	56	3	16-Φ39

# 国标闸阀

GB/T Gate Valve

(WCB, CF8, CF8M, Ti, Ni)



## 设计制造标准

设计与制造: GB/T 12234  
 结构长度: GB/T 12221  
 法兰连接尺寸: JB/T 79  
 检验: JB/T 9092

## Design & Manufacture Standard

Design and manufacture: GB/T 12234  
 Face to Face: GB/T 12221  
 End Flange dimension: JB/T 79  
 Test: JB/T 9092

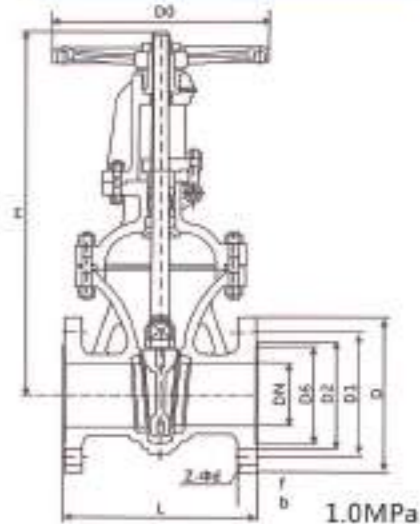
## 主要外形尺寸及连接尺寸 Main dimensions and connection dimensions

公称压力 PN(MPa)	公称口径 DN(mm)	尺寸 Dimensions(mm)								重量 (kg) Weight
		L	D	D1	D2	b-f	Z-φd	H	D0	
1.0	15	130	95	65	45	14-2	4-φ14	180	100	5
	20	150	105	75	55	14-2	4-φ14	185	100	8
	25	160	115	85	65	16-2	4-φ14	200	125	11
	32	180	140/135	100	78	18-2	4-φ18	240	125	13
	40	200	150/145	110	85	18-2	4-φ18	245	135	9.5
	50	180	155/160	125	100	20-2	4-φ18	286	180	24
	65	195	185/180	145	120	20-2	4-φ18	320	180	31
	80	210	195	160	135	20-2	8-φ18	373	200	40
	100	230	215	180	155	22-2	8-φ18	428	200	55
	125	255	245	210	185	22-2	8-φ18	523	240	63
	150	280	280	240	210	24-2	8-φ22	582	240	90
	200	330	335	295	265	24-2	8-φ22	730	320	145
	250	360	390	350	320	26-2	12-φ22	897	320	230
	300	420	440	400	368	26-2	12-φ22	1032	400	390
	350	450	500	460	428	26-2	16-φ22	1170	400	460
	400	480	565	515	482	26-2	16-φ26	1330	500	500
450	510	615	565	532	28-2	20-φ26	1480	500	680	
500	540	670	620	585	28-2	20-φ26	1650	500	960	
600	600	780	725	685	34-2	20-φ30	183	600	1200	
700	660	895	840	800	34-5	24-φ30	2130	700	1620	
800	730	1015/1010	950	905	36-5	24-φ33	2420	800	2090	
900	800	1115/1110	1050	1005	38-5	28-φ33	2750	850	3100	
1000	850	1230/1220	1160	1110	38-5	28-φ36	3130	900	4050	
1.6	15	130	95	65	45	14-2	4-φ14	170	120	5
	20	150	105	75	55	14-2	4-φ14	190	140	6.5
	25	160	115	85	65	14-2	4-φ14	205	160	9
	32	180	140/135	100	78	16-2	4-φ18	270	180	12
	40	200	150/145	110	85	16-3	4-φ18	310	200	26.5
	50	250	165/160	125	100	16-3	4-φ18	358	240	29
	65	265	185/180	145	120	18-3	4-φ18	373	240	33
	80	280	200/195	160	135	20-3	8-φ18	435	280	45
	100	300	220/215	180	155	20-3	8-φ18	500	300	63
	125	325	250/245	210	185	22-3	8-φ18	614	320	108
	150	350	285/280	240	210	24-3	8-φ21	674	360	134
	200	400	340/335	295	265	26-3	12-φ23	811	400	192
	250	450	405	355	320	30-3	12-φ25	989	450	273
	300	500	460	410	375	30-4	12-φ25	1143	500	379
	350	550	520	470	435	34-4	16-φ25	1280	640	500
	400	600	580	525	485	36-4	16-φ30	1452	640	540
450	650	640	585	545	40-4	20-φ30	1541	720	870	
500	700	715/705	650	608	44-4	20-φ34	1676	720	1100	
600	800	840	770	718	48-5	20-φ36	1874	800	1570	
700	900	910	840	788	50-5	24-φ36	2083	800	1870	
800	1000	1025/1020	950	898	52-5	24-φ41	2400	850	2500	
900	1100	1125/1120	1050	998	54-5	28-φ41	2950	1000	3620	
1000	1200	1255	1170	1110	56-5	28-φ42	3245	1000	4550	

# 国标闸阀

GB/T Gate Valve

(WCB, CF8, CF8M, Ti, Ni)



## 设计制造标准

设计与制造: DIN 3352  
 结构长度: DIN 3202  
 法兰连接尺寸: DIN 2543  
 检验: DIN 3230

## Design & Manufacture Standard

Design and manufacture: DIN 3352  
 Face to Face: DIN 3202  
 End Flange dimension: DIN 2543  
 Test: DIN 3230

## 主要尺寸及重量 Main size and weight

公称口径 DN(mm)	尺寸 Dimensions(mm)								重量 (kg) Weight	
	F4	F5	D	D1	D2	b-f	Z-φd	H		D0
15	115	-	95	65	45	12-2	4-φ14	185	120	5
20	120	-	105	75	55	14-2	4-φ14	200	120	8
25	125	120	115	85	65	14-2	4-φ14	225	140	11
32	130	140	135	100	78	16-	4-φ18	275	160	13
40	140	240	145	110	85	16-3	4-φ18	290	160	9.5
50	150	250	160	125	100	16-3	4-φ18	345	200	24
65	170	270	180	145	120	18-3	4-φ18	360	220	31
80	180	280	195	160	135	18-3	4-φ18	380	240	40
100	190	300	215	180	155	20-3	8-φ18	430	280	55
125	200	325	245	210	185	22-3	8-φ18	520	300	63
150	210	350	280	240	210	22-3	8-φ23	600	320	90
200	230	375	335	295	265	22-3	8-φ23	765	400	145
250	250	400	390	350	320	24-3	12-φ23	930	450	230
300	270	450	440	400	368	26-3	12-φ23	1080	500	390
350	290	500	500	460	428	26-4	16-φ23	1200	500	460
400	310	550	565	515	482	26-4	16-φ35	1400	550	680
450	330	600	615	656	532	26-4	20-φ25	1500	600	960
500	350	650	670	620	585	28-4	20-φ25	1630	650	1200
600	390	700	780	725	685	28-5	20-φ30	1830	700	1620
700	430	800	895	840	800	30-5	24-φ30	1930	750	2090

## 美标闸阀

ANSI/ASME  
Gate Valve

(WCB, CF8, CF8M, Ti, Ni)

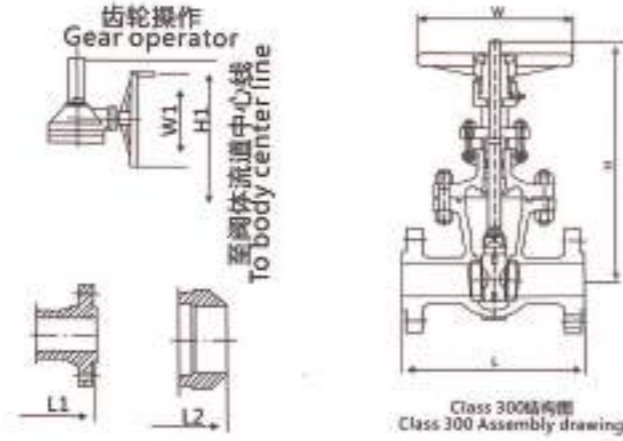


### 设计制造标准

设计制造: API600 ASME B16.34  
结构长度: ASME B16.10  
连接尺寸: ASME B16.5, ASME B16.47, ASME B16.25  
检验和测试: ISO 5208, API 598

### Design & Manufacture Standard

Design & Manufacture: API600 ASME B16.34  
Face to Face: ASME B16.10  
Connection dimension: ASME B16.5, ASME B16.47, ASME B16.25  
Inspection and Test: ISO 5208, API 598



Class 300结构图  
Class 300 Assembly drawing

### 主要连接尺寸 Main connection dimensions

Z41(O)H(F)		Class 150																			
Size	inch	1/2	3/4	1	1 1/4	1 1/2	2	2 1/2	3	4	5	6	8	10	12	14	16	18	20	24	28
L	mm	108	117	127	140	165	178	191	203	229	254	267	292	330	381	381	406	432	457	508	610
L1	mm	-	-	-	-	203	191	203	216	241	267	279	305	343	394	394	419	445	470	521	-
L2	mm	108	117	127	140	165	216	241	283	305	381	403	419	457	572	572	610	660	711	813	914
H	mm	169	193	230	246	283	261	396	435	522	570	610	750	935	1224	1224	1345	1487	1627	1931	-
W	mm	100	125	160	160	180	250	250	280	600	350	350	400	400	600	600	600	600	680	920	-
H1	mm	-	-	-	-	-	-	-	-	-	-	-	-	1280	1670	1670	1885	2045	2210	2675	3050
W1	mm	-	-	-	-	-	-	-	-	-	-	-	-	310	490	460	460	460	460	460	600
T	N.m	-	-	-	-	12.4	17	23	24.5	60	85	125	138	276	276	396	491	650	1018	1492	
WT(R)	kg	5	6.1	8.4	14.3	15.4	20	30	33	49	60	75	120	205	400	400	511	650	789	1200	1800

Z41(O)H(F)		Class 300																			
Size	inch	1/2	3/4	1	1 1/4	1 1/2	2	2 1/2	3	4	5	6	8	10	12	14	16	18	20	24	28
L	mm	140	152	165	178	190	216	241	283	305	381	403	419	457	502	762	838	914	991	1143	1346
L1	mm	-	-	-	-	203	232	257	298	321	397	419	435	473	518	778	854	930	1010	1135	1372
L2	mm	140	152	165	178	190	216	241	283	305	381	403	419	457	502	762	838	914	991	1143	1346
H	mm	169	193	230	246	283	352	390	420	496	570	635	772	995	1090	1265	1385	1510	1630	-	-
W	mm	100	125	160	160	180	250	250	250	300	350	400	450	500	600	650	750	750	920	-	-
H1	mm	-	-	-	-	-	-	-	-	-	-	-	-	1375	1524	1718	1860	2077	2310	2809	3078
W1	mm	-	-	-	-	-	-	-	-	-	-	-	-	460	460	460	460	460	460	600	600
T	N.m	-	-	-	-	27.5	40	54	80	194	202	226	354	558	736	966	1259	1259	2658	4264	
WT(R)	kg	5.2	6.3	8.6	14.5	15.5	24	36	47	69	29	123	196	333	440	710	950	1405	1405	2770	3312

## 日标闸阀

JIS Gate Valve

(WCB, CF8, CF8M, Ti, Ni)

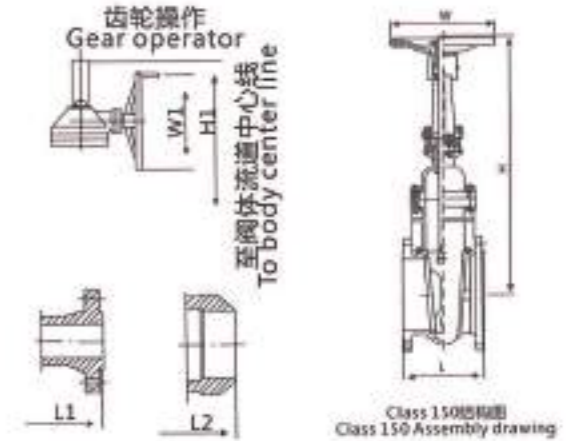


### 设计制造标准

产品设计: KS B2361  
结构长度: KS B2361  
法兰尺寸: KS B2361  
检查和测试: KS B2361

### Design & Manufacture Standard

Product design: KS B2361  
Structure length: KS B2361  
Flange size: KS B2361  
Inspection and Test: KS B2361



Class 150结构图  
Class 150 Assembly drawing

### 主要连接尺寸 Main connection dimensions

Z41(O)H(F)		10K																			
Size	inch	1/2	3/4	1	1 1/4	1 1/2	2	2 1/2	3	4	5	6	8	10	12	14	16	18	20	24	28
L	mm	108	117	127	140	165	178	191	203	229	254	267	292	330	381	381	406	432	457	508	610
L1	mm	-	-	-	-	203	191	203	216	241	267	279	305	343	394	394	419	445	470	521	-
L2	mm	108	117	127	140	165	216	241	283	305	381	403	419	457	572	572	610	660	711	813	914
H	mm	169	193	230	246	283	261	396	435	522	570	610	750	935	1224	1224	1345	1487	1627	1931	-
W	mm	100	125	160	160	180	250	250	280	600	350	350	400	400	600	600	600	600	680	920	-
H1	mm	-	-	-	-	-	-	-	-	-	-	-	-	1280	1670	1670	1885	2045	2210	2675	3050
W1	mm	-	-	-	-	-	-	-	-	-	-	-	-	310	490	460	460	460	460	460	600
T	N.m	-	-	-	-	12.4	17	23	24.5	60	85	125	138	276	276	396	491	650	1018	1492	
WT(R)	kg	5	6.1	8.4	14.3	15.4	20	30	33	49	60	75	120	205	400	400	511	650	789	1200	1800

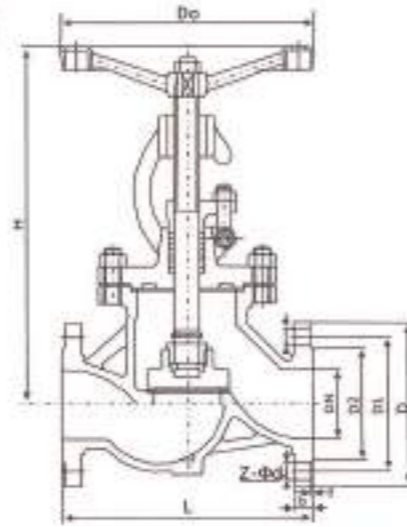
  

Z41(O)H(F)		20K																			
Size	inch	1/2	3/4	1	1 1/4	1 1/2	2	2 1/2	3	4	5	6	8	10	12	14	16	18	20	24	28
L	mm	140	152	165	178	190	216	241	283	305	381	403	419	457	502	762	838	914	991	1143	1346
L1	mm	-	-	-	-	203	232	257	298	321	397	419	435	473	518	778	854	930	1010	1135	1372
L2	mm	140	152	165	178	190	216	241	283	305	381	403	419	457	502	762	838	914	991	1143	1346
H	mm	169	193	230	246	283	352	390	420	496	570	635	772	995	1090	1265	1385	1510	1630	-	-
W	mm	100	125	160	160	180	250	250	250	300	350	400	450	500	600	650	750	750	920	-	-
H1	mm	-	-	-	-	-	-	-	-	-	-	-	-	1375	1524	1718	1860	2077	2310	2809	3078
W1	mm	-	-	-	-	-	-	-	-	-	-	-	-	460	460	460	460	460	460	600	600
T	N.m	-	-	-	-	27.5	40	54	80	194	202	226	354	558	736	966	1259	1259	2658	4264	
WT(R)	kg	5.2	6.3	8.6	14.5	15.5	24	36	47	69	29	123	196	333	440	710	950	1405	1405	2770	3312

## 国标截止阀

GB/T Globe Valve

( WCB , CF8 , CF8M,Ti,Ni )



### 设计制造标准

设计与制造 : GB/T 12235  
 结构长度 : GB/T 12221  
 法兰连接尺寸 : JB/T 79  
 检验 : JB/T 9092

### Design & Manufacture Standard

Design and Manufacture : GB/T 12235  
 Face to Face : GB/T 12221  
 End flange dimension : JB/T 79  
 Test : JB/T 9092

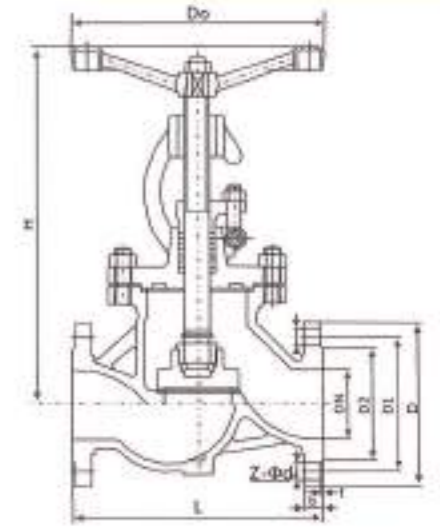
### 主要连接尺寸 Main connection dimensions (PN16)

公称口径 DN(mm)	尺寸 Dimensions(mm)							
	L	D	D1	D2	b-f	Z-φd	H	D0
15	130	95	65	45	14-2	4-φ14	190	100
20	150	105	75	55	14-2	4-φ14	200	120
25	160	115	85	65	14-2	4-φ14	225	140
32	180	140/135	100	78	16-2	4-φ18	235	160
40	200	150/145	110	85	16-2	4-φ18	265	200
50	230	165/160	125	100	16-3	4-φ18	280	220
65	290	185/180	145	120	18-3	4-φ18	350	240
80	310	200/195	160	135	20-3	8-φ18	360	280
100	350	220/215	180	155	20-3	8-φ18	410	320
125	400	250/245	210	185	22-3	8-φ18	450	350
150	480	285/280	140	210	24-3	8-φ23	480	400
200	600	340/335	195	165	26-3	12-φ23	600	450
250	650	405	355	320	30-3	12-φ25	720	550
300	750	460	410	375	30-3	12-φ25	950	650
350	850	520	470	435	34-4	16-φ25	1040	750
400	950	580	525	485	36-4	16-φ30	1150	800
450	1050	640	585	575	40-4	20-φ30	1250	850
500	1150	715/705	650	608	44-4	20-φ34	1380	950

## 德标截止阀

DIN Globe Valve

( WCB , CF8 , CF8M,Ti,Ni )



### 设计制造标准

设计与制造 : DIN 3356  
 结构长度 : DIN 3202  
 法兰连接尺寸 : DIN 2543  
 检验 : DIN 3230

### Design & Manufacture Standard

Design and Manufacture : DIN 3356  
 Face to Face : DIN 3202  
 End flange dimension : DIN 2543  
 Test : DIN 3230

### 主要连接尺寸 Main connection dimensions (PN16)

公称口径 DN(mm)	尺寸 Dimensions(mm)							
	L	D	D1	D2	b-f	Z-φd	H	D0
15	130	95	65	45	14-2	4-φ14	190	100
20	150	105	75	55	14-2	4-φ14	200	120
25	160	115	85	65	14-2	4-φ14	225	140
32	180	135	100	78	16-2	4-φ18	235	160
40	200	145	110	85	16-2	4-φ18	265	200
50	230	160	125	100	16-3	4-φ18	280	220
65	290	180	145	120	18-3	4-φ18	350	240
80	310	195	160	135	20-3	8-φ18	360	280
100	350	215	180	155	20-3	8-φ18	410	320
125	400	245	210	185	22-3	8-φ18	450	350
150	480	280	140	210	24-3	8-φ23	480	400
200	600	335	195	165	26-3	12-φ23	600	450
250	730	405	355	320	30-3	12-φ25	720	550
300	850	460	410	375	30-3	12-φ25	950	650
350	980	520	470	435	34-4	16-φ25	1040	750
400	1100	580	525	485	36-4	16-φ30	1150	800
450	-	640	585	575	40-4	20-φ30	1250	850
500	-	705	650	608	44-4	20-φ34	1380	950

## 美标截止阀

ANSI/ASME  
Globe Valve

(WCB, CF8, CF8M, Ti, Ni)



## 日标截止阀

JIS Globe Valve

(WCB, CF8, CF8M, Ti, Ni)

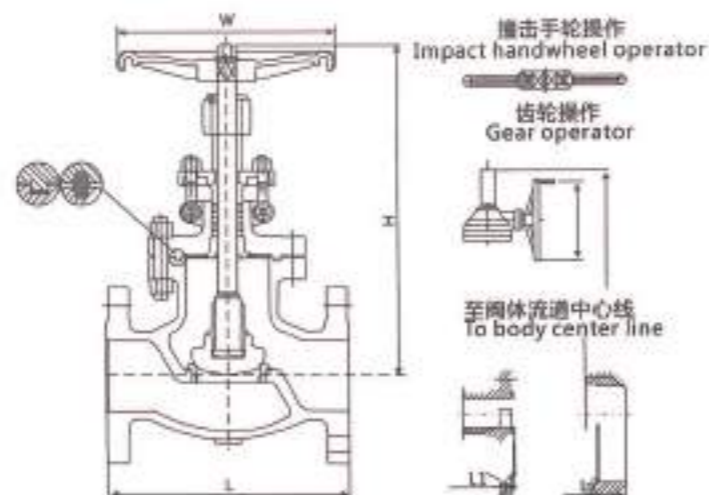


### 设计制造标准

设计制造: ASME B16.34, API602  
结构长度: ASME B16.10  
连接尺寸: ASME B16.5, ASME B16.25  
检验: ISO 5208, API 598

### Design & Manufacture Standard

Design & Manufacture: ASME B16.34, API602  
Face to Face: ASME B16.10  
End flange dimension: ASME B16.5, ASME B16.25  
Test: ISO 5208, API 598

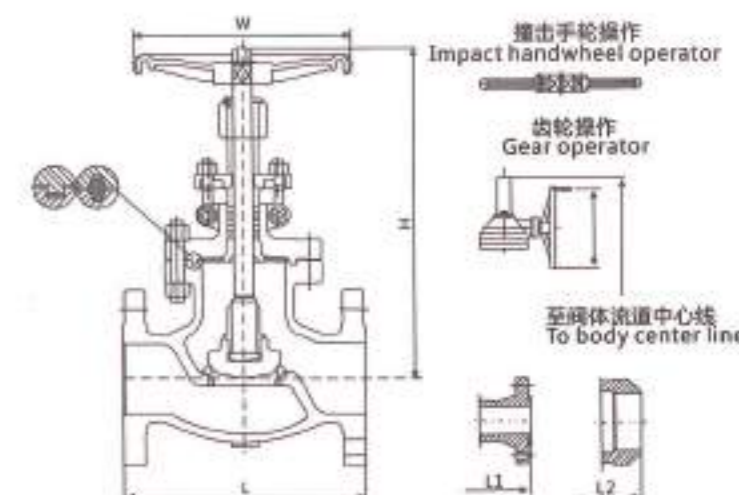


### 设计制造标准

产品设计: KS B2360  
结构长度: KS B2360  
法兰尺寸: KS B2360  
检查和试验: KS B2360

### Design & Manufacture Standard

Product design: KS B2361  
Structure length: KS B2361  
Flange size: KS B2361  
Inspection and Test: KS B2361



### 主要连接尺寸 Main connection dimensions

J41H(Y)		Class 150															
Size	inch	1/2	3/4	1	1 1/4	1 1/2	2	2 1/2	3	4	5	6	8	10	12	14	16
	mm	15	20	25	32	40	50	65	80	100	125	150	200	250	300	350	400
L	mm	108	117	127	140	165	203	216	241	292	356	406	495	622	698	787	914
L1	mm	-	-	-	-	178	216	229	254	305	368	419	508	635	711	800	927
L2	mm	108	117	127	140	165	203	216	241	292	356	406	495	622	698	787	914
H	mm	163	193	250	250	291	350	362	385	490	455	537	707	788	820	-	-
W	mm	100	125	160	160	180	220	250	280	320	320	400	450	560	560	-	-
H1	mm	-	-	-	-	-	-	-	-	-	-	-	760	830	890	1400	1648
W1	mm	-	-	-	-	-	-	-	-	-	-	-	310	310	460	600	600
T	N.m	-	-	-	-	-	31	50	72	115	170	225	427	671	1127	1231	1750
WT(RF)	kg	6.9	9.8	13.5	19.5	28.5	21	29	34	54	72	93	185	268	400	650	1113

J41H(Y)		Class 300														
Size	inch	1/2	3/4	1	1 1/4	1 1/2	2	2 1/2	3	4	5	6	8	10	12	
	mm	15	20	25	32	40	50	65	80	100	125	150	200	250	300	
L	mm	152	117	203	216	229	267	292	318	356	400	445	559	622	711	
L1	mm	-	-	-	-	178	283	308	333	371	416	460	575	638	727	
L2	mm	108	117	127	140	165	267	292	318	356	400	445	559	622	711	
H	mm	163	193	250	250	291	345	377	405	468	620	*708	*777	*935	*906	
W	mm	100	125	160	160	180	220	250	280	320	400	*450	*500	*560	*600	
H1	mm	-	-	-	-	-	-	-	-	-	-	-	836	854	997	1230
W1	mm	-	-	-	-	-	-	-	-	-	-	-	460	460	460	300
T	N.m	-	-	-	-	-	52	90	137	236	390	556	1003	1962	3465	
WT(RF)	kg	7.7	11.3	16.8	21.2	32.6	28	36	50	75	140	200	287	510	720	

### 主要连接尺寸 Main connection dimensions

		10K															
Size	inch	1/2	3/4	1	1 1/4	1 1/2	2	2 1/2	3	4	5	6	8	10	12	14	16
	mm	15	20	25	32	40	50	65	80	100	125	150	200	250	300	350	400
L	mm	108	117	127	140	165	203	216	241	292	356	406	495	622	698	787	914
L1	mm	-	-	-	-	178	216	229	254	305	368	419	508	635	711	800	927
L2	mm	108	117	127	140	165	203	216	241	292	356	406	495	622	698	787	914
H	mm	163	193	250	250	291	350	362	385	490	455	537	707	788	820	-	-
W	mm	100	125	160	160	180	220	250	280	320	320	400	450	560	560	-	-
H1	mm	-	-	-	-	-	-	-	-	-	-	-	760	830	890	1400	1648
W1	mm	-	-	-	-	-	-	-	-	-	-	-	310	310	460	600	600
T	N.m	-	-	-	-	-	31	50	72	115	170	225	427	671	1127	1231	1750
WT(RF)	kg	6.9	9.8	13.5	19.5	28.5	21	29	34	54	72	93	185	268	400	650	1113

		20K														
Size	inch	1/2	3/4	1	1 1/4	1 1/2	2	2 1/2	3	4	5	6	8	10	12	
	mm	15	20	25	32	40	50	65	80	100	125	150	200	250	300	
L	mm	152	117	203	216	229	267	292	318	356	400	445	559	622	711	
L1	mm	-	-	-	-	178	283	308	333	371	416	460	575	638	727	
L2	mm	108	117	127	140	165	267	292	318	356	400	445	559	622	711	
H	mm	163	193	250	250	291	345	377	405	468	620	708	777	935	906	
W	mm	100	125	160	160	180	220	250	280	320	400	450	500	560	600	
H1	mm	-	-	-	-	-	-	-	-	-	-	-	836	854	997	1230
W1	mm	-	-	-	-	-	-	-	-	-	-	-	460	460	460	300
T	N.m	-	-	-	-	-	52	90	137	236	390	556	1003	1962	3465	
WT(RF)	kg	7.7	11.3	16.8	21.2	32.6	28	36	50	75	140	200	287	510	720	

## 国标止回阀

GB/T Check Valve

(WCB, CF8, CF8M, Ti, Ni)

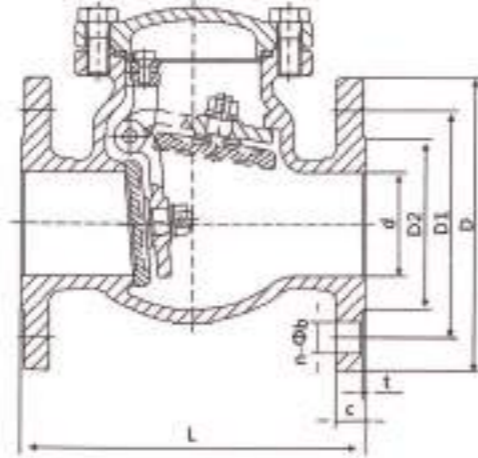


### 设计制造标准

设计与制造: GB/T 12236, GB/T 12235  
 结构长度: GB/T 12221  
 法兰连接尺寸: JB/T 79  
 检验与试验: JB/T 9092

### Design & Manufacture Standard

Design and Manufacture: GB/T 12236, GB/T 12235  
 Structure Length: GB/T 12221  
 Face to Face: JB/T 79  
 Inspection and Test: JB/T 9092



### 主要尺寸及重量 Main size and weight

PN 16									
Size	d	D	D1	D2	t	C	n-φb	L	
DN15	18	95	65	45	2	14	4-φ14	130	
DN20	20	105	75	55	2	14	4-φ14	150	
DN25	25	115	85	65	2	14	4-φ14	160	
DN32	32	149/135	100	78	2	16	4-φ18	180	
DN40	38	159/145	110	85	3	16	4-φ18	200	
DN50	50	165/160	125	100	3	16	4-φ18	230	
DN65	64	185/180	145	120	3	18	4-φ18	280	
DN80	76	200/195	160	135	3	20	8-φ18	310	
DN100	100	220/215	180	155	3	20	8-φ18	350	
DN125	125	250/245	210	185	3	22	8-φ18	400	
DN150	150	285/280	240	210	3	24	8-φ23	480	
DN200	200	340/335	295	265	3	26	12-φ23	600	
DN250	250	405	355	320	3	30	12-φ25	650	
DN300	300	460	410	375	3	30	12-φ25	750	
PN 25									
Size	d	D	D1	D2	t	C	n-φb	L	
DN15	18	95	65	45	2	16	4-φ14	130	
DN20	20	105	75	55	2	16	4-φ14	150	
DN25	25	115	85	65	2	16	4-φ14	160	
DN32	32	140/135	100	78	2	18	4-φ18	180	
DN40	38	150/145	110	85	3	18	4-φ18	200	
DN50	50	165/160	125	100	3	20	4-φ18	230	
DN65	64	185/180	145	120	3	22	4-φ18	290	
DN80	76	200/195	160	135	3	22	8-φ18	310	
DN100	100	235/230	190	160	3	24	8-φ23	350	
DN125	125	370	220	188	3	28	8-φ25	400	
DN150	150	300	250	218	3	30	8-φ25	480	
DN200	200	360	310	278	3	34	12-φ25	600	
DN250	250	425	370	332	3	36	12-φ30	650	
DN300	300	485	430	390	3	40	16-φ30	750	

## 国标止回阀

GB/T Check Valve

(WCB, CF8, CF8M, Ti, Ni)

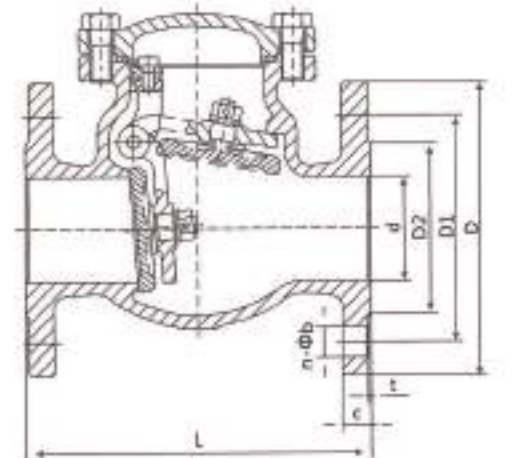


### 设计制造标准

设计与制造: DIN 3356  
 结构长度: DIN 3202  
 法兰连接尺寸: DIN 2543  
 检验与试验: DIN 3230

### Design & Manufacture Standard

Design and Manufacture: DIN 3356  
 Structure Length: DIN 3202  
 Flange connection dimensions: DIN 2543  
 Inspection and test: DIN 3230



### 主要尺寸及重量 Main size and weight

PN 16									
Size	d	D	D1	D2	t	F1	F4	F5	F6
DN15	18	95	65	45	2	130	115	-	-
DN20	20	105	75	55	2	150	120	-	-
DN25	25	115	85	65	2	160	125	-	-
DN32	32	135	100	78	2	180	130	120	-
DN40	38	145	110	85	3	200	140	140	-
DN50	50	160	125	100	3	230	150	240	180
DN65	64	180	145	120	3	290	170	250	200
DN80	76	195	160	135	3	310	180	270	240
DN100	100	215	180	155	3	350	190	280	260
DN125	125	245	210	185	3	400	200	300	300
DN150	150	280	240	210	3	480	210	325	325
DN200	200	335	295	265	3	600	230	350	350
DN250	250	405	355	320	3	730	250	400	400
DN300	300	460	410	375	3	850	270	450	450
PN 25									
Size	d	D	D1	D2	t	F1	F4	F5	F6
DN15	18	95	65	45	2	130	115	-	-
DN20	20	105	75	55	2	150	120	-	-
DN25	25	115	85	65	2	160	125	-	-
DN32	32	135	100	78	2	180	130	120	-
DN40	38	145	110	85	3	200	140	140	-
DN50	50	160	125	100	3	230	150	240	180
DN65	64	180	145	120	3	290	170	250	200
DN80	76	195	160	135	3	310	180	270	240
DN100	100	230	190	160	3	350	190	280	260
DN125	125	270	220	188	3	400	200	300	300
DN150	150	300	250	218	3	480	210	325	325
DN200	200	360	310	278	3	600	230	350	350
DN250	250	425	370	332	3	730	250	400	400
DN300	300	485	430	390	3	850	270	450	450

## 美标止回阀

ANSI/ASME Check Valve

( WCB , CF8 , CF8M, Ti, Ni )

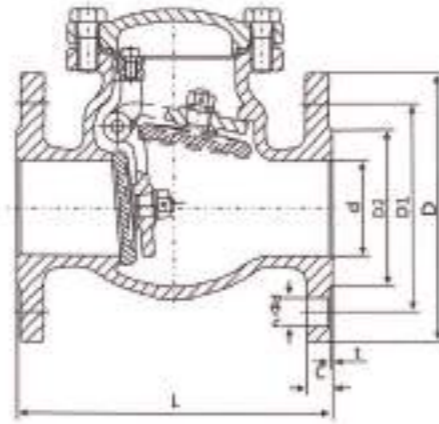


### 设计制造标准

设计与制造 : API6D, BS 1868, ASME B16.34  
 结构长度 : ASME B16.10, API6D  
 法兰连接尺寸 : ASME B16.5, ASME B16.255, ASME B16.47  
 检验和测试 : ISO 5208, API 598, BS 6755

### Design & Manufacture Standard

Design & Manufacture : API6D, BS 1868, ASME B16.34  
 Face to Face: ASME B16.10, API6D  
 Connection Dimension : ASME B16.5, ASME B16.255, ASME B16.47  
 Inspection and Test : ISO 5208, API 598, BS 6755



### 主要尺寸及重量 Main size and weight

Class 150									
Size	d	D	D1	D2	t	c	n-φb	L	
DN15	18	90	60.3	34.8	1.6	11.5	4-φ16	108	
DN20	20	100	69.9	42.9	1.6	13	4-φ16	117	
DN25	25	110	79.4	50.8	1.6	14.5	4-φ16	127	
DN32	32	115	88.9	63.5	1.6	16	4-φ16	140	
DN40	38	125	98.4	73	1.6	17.5	4-φ16	165	
DN50	50	150	120.7	92.1	1.6	19	4-φ19	203	
DN65	64	180	139.7	104.8	1.6	22.5	4-φ19	216	
DN80	76	190	152.4	127	1.6	24	4-φ19	241	
DN100	100	230	190.5	157.2	1.6	24	8-φ19	292	
DN125	125	255	215.9	185.7	1.6	24	8-φ22	330	
DN150	150	280	241.3	315.9	1.6	26	8-φ22	356	
DN200	200	345	298.5	269.9	1.6	29	8-φ22	495	
DN250	250	405	362	323.8	1.6	31	12-φ25	622	
DN300	300	485	431.8	381	1.6	32	12-φ25	698	
Class 300									
Size	d	D	D1	D2	t	c	n-φb	L	
DN40	40	155	114.5	73	1.6	21	4-φ22	241	
DN50	50	165	127.0	92	1.6	22	8-φ19	267	
DN60	65	190	149.4	105	1.6	25	8-φ22	292	
DN80	80	210	168.1	127	1.6	29	8-φ22	318	
DN100	100	255	200.2	157	1.6	32	8-φ22	356	
DN125	125	280	235.0	186	1.6	35	12-φ22	400	
DN150	150	320	269.7	216	1.6	37	12-φ25	444	
DN200	200	380	330.2	270	1.6	41	16-φ29	533	
DN250	250	445	387.4	324	1.6	48	16-φ32	622	
DN300	300	520	450.8	381	1.6	51	20-φ32	711	
DN350	350	585	514.4	413	1.6	54	20-φ35	838	
DN400	400	650	571.5	470	1.6	57	24-φ35	864	
DN450	450	710	628.8	533	1.6	60	24-φ35	978	
DN500	500	775	685.8	584	1.6	64	24-φ41	1016	
DN600	600	915	812.8	692	1.6	70	28-φ44	1346	
DN650	650	970	876.3	749	1.6	79	28-φ44	1346	

## 日标止回阀

JIS Check Valve

( WCB , CF8 , CF8M, Ti, Ni )

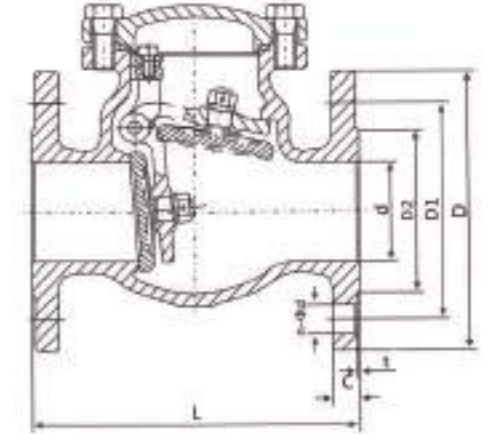


### 设计制造标准

产品设计 : KS B2361  
 结构长度 : KS B2361  
 法兰尺寸 : KS B2361  
 检验和测试 : KS B2361

### Design & Manufacture Standard

Product design : KS B2361  
 Structure Length: KS B2361  
 Flange size : KS B2361  
 Inspection and test : KS B2361



### 主要尺寸及重量 Main size and weight

10K									
Size	d	D	D1	D2	t	c	n-φb	L	
DN15	15	95	70	52	1	12	4-φ15	108	
DN20	20	100	75	58	1	14	4-φ15	117	
DN25	25	125	90	70	1	14	4-φ19	127	
DN32	32	135	100	80	2	16	4-φ19	140	
DN38	38	140	105	85	2	16	4-φ19	165	
DN50	50	155	120	100	2	16	4-φ19	203	
DN64	64	175	140	120	2	18	4-φ19	216	
DN76	76	185	150	130	2	18	8-φ19	241	
DN100	100	210	175	155	2	18	8-φ19	292	
DN125	125	250	210	185	2	20	8-φ23	330	
DN150	150	280	240	215	2	22	8-φ23	356	
DN200	200	330	290	265	2	22	12-φ23	495	
DN250	250	400	355	325	2	24	12-φ25	622	
DN300	300	445	400	370	2	24	16-φ25	698	
DN350	350	490	445	415	2	26	16-φ25	787	
DN400	400	560	510	475	2	28	16-φ27	864	
20K									
Size	d	D	D1	D2	t	c	n-φb	L	
DN40	40	140	105	81	2	18	4-φ19	241	
DN50	50	155	120	96	2	18	8-φ19	267	
DN65	65	175	140	116	2	20	8-φ19	292	
DN80	80	200	150	132	2	22	8-φ23	318	
DN100	100	225	185	160	2	24	8-φ23	356	
DN125	125	270	225	195	2	26	8-φ25	400	
DN150	150	305	260	230	2	28	12-φ25	444	
DN200	200	350	305	275	2	30	12-φ25	533	
DN250	250	430	380	345	2	34	12-φ27	622	
DN300	300	480	430	395	3	36	16-φ27	711	
DN350	350	540	480	440	3	40	16-φ33	838	
DN400	400	605	540	495	3	46	16-φ33	864	
DN450	450	675	605	560	3	48	20-φ33	978	
DN500	500	730	660	615	3	50	20-φ33	1016	
DN600	600	795	720	670	3	52	20-φ39	1346	
DN650	650	845	770	720	3	54	24-φ39	1346	

## 美标过滤器

ANSI/ASME Strainer

( WCB , CF8 , CF8M, Ti, Ni )



## 日标过滤器

JIS Strainer

( WCB , CF8 , CF8M, Ti, Ni )

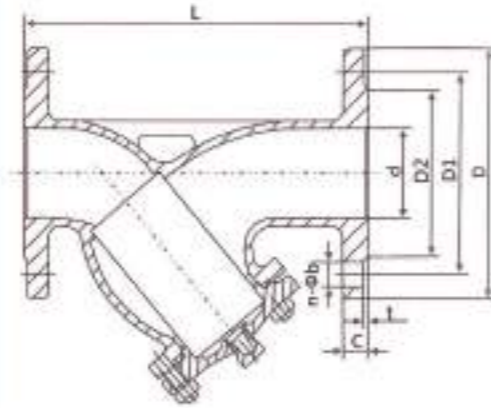


### 性能规范

公称压力 : Class150/300  
 强度试验压力 : PTL.5PN  
 适用介质 : SY41-(150-300Lb)C水、油品、气  
 适用温度 : -29-180°C  
 适用介质 : SY41-(150-300Lb)P 硝酸类、SY41-(150-300Lb)R 醋酸类  
 适用温度 : -40-180°C

### Specifications

Nominal pressure : Class150/300  
 Strength Test pressure : PTL.5PN  
 Applicable medium : SY41-(150-300Lb) C Water, oil, gas  
 Applicable temperature : -29-180°C  
 Applicable medium : SY41-(150-300Lb) P Nitric acid, SY41-(150-300Lb) R Acetic acid  
 Applicable temperature : -40-180°C



### 主要零件材料 Materials of main parts

零件名称 Parts name	SY41-(16-64)C	SY41-(16-64)P	SY41-(16-64)R
阀体 Body	WCB	ZG1Cr18Ni9Ti CF8	ZG1Cr18Ni9Ti 12Mo2Ti CF8M
阀盖 Bonnet	WCB	ZG1Cr18Ni9Ti CF8	ZG1Cr18Ni9Ti 12Mo2Ti CF8M
过滤网 Mesh	1Cr18Ni9Ti 304	1Cr18Ni9Ti 304	1Cr18Ni 12Mo2Ti 316
垫片 Gasket	聚四氟乙烯/钢带石墨缠绕Polytetrafluorethylene(PTFE)/Stainless steel and graphite spiral wound		

### 主要尺寸及重量 Main size and weight

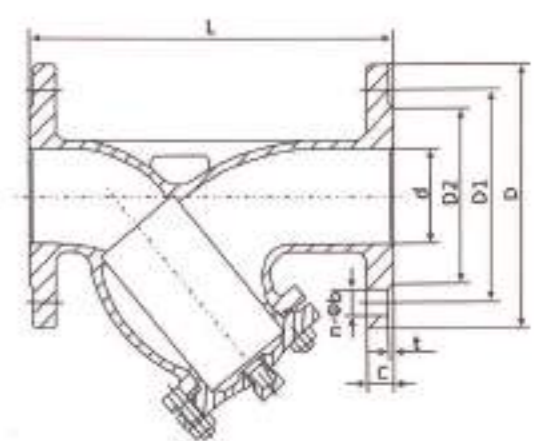
Class 150									
Size	d	D	D1	D2	t	C	n-φb	L	
DN15	15	90	60.3	34.9	1.6	11.5	4-φ16	130	
DN20	20	100	69.9	42.9	1.6	13	4-φ16	140	
DN25	25	110	79.4	50.8	1.6	14.5	4-φ16	150	
DN32	32	115	88.9	63.5	1.6	16	4-φ16	170	
DN40	38	125	98.4	73	1.6	17.5	4-φ16	200	
DN50	50	150	120.7	92.1	1.6	19.5	4-φ19	220	
DN65	64	180	139.7	104.8	1.6	22.5	4-φ19	252	
DN80	76	190	152.4	127	1.6	24	4-φ16	280	
DN100	100	230	190.5	157.2	1.6	24	8-φ19	320	
DN125	125	255	215.9	185.7	1.6	24	8-φ22	350	
DN150	150	280	241.3	215.9	1.6	26	8-φ22	400	
DN200	200	345	298.5	269.9	1.6	29	8-φ22	480	
DN250	250	405	362	323.8	1.6	31	12-φ25	550	
DN300	300	485	431.8	381	1.6	32	12-φ25	610	
DN350	350	535	476.3	412.8	1.6	35.5	12-φ29	680	
DN400	400	595	539.8	469.9	1.6	37	16-φ29	780	

### 性能规范

设计标准 : JIS B2074 B2081  
 法兰标准 : JIS B2212 B2214  
 结构标准 : JIS B2072 B2084  
 试验标准 : JIS B2003

### Specifications

Design standard : JIS B2074 B2081  
 Flange standard : JIS B2074 B2081  
 Structure standard : JIS B2072 B2084  
 Test standard : JIS B2003



### 主要零件材料 Materials of main parts

零件名称 Parts name	SY41-(16-64)C	SY41-(16-64)P	SY41-(16-64)R
阀体 Body	WCB	ZG1Cr18Ni9Ti CF8	ZG1Cr18Ni9Ti 12Mo2Ti CF8M
阀盖 Bonnet	WCB	ZG1Cr18Ni9Ti CF8	ZG1Cr18Ni9Ti 12Mo2Ti CF8M
过滤网 Mesh	1Cr18Ni9Ti 304	1Cr18Ni9Ti 304	1Cr18Ni 12Mo2Ti 316
垫片 Gasket	聚四氟乙烯/钢带石墨缠绕Polytetrafluorethylene(PTFE)/Stainless steel and graphite spiral wound		

10K									
Size	d	D	D1	D2	t	C	n-φb	L	
DN15	15	95	70	52	1	12	4-φ15	130	
DN20	20	105	75	58	1	14	4-φ15	140	
DN25	25	125	90	70	1	14	4-φ19	150	
DN32	32	135	100	80	2	16	4-φ19	170	
DN40	38	140	105	85	2	16	4-φ19	200	
DN50	50	155	120	100	2	16	4-φ19	220	
DN65	64	175	140	120	2	18	4-φ19	252	
DN80	76	185	150	130	2	18	8-φ19	280	
DN100	100	210	175	155	2	18	8-φ19	320	
DN125	125	250	210	185	2	20	8-φ23	350	
DN150	150	280	240	215	2	22	8-φ23	400	
DN200	200	330	290	265	2	22	12-φ23	480	
DN250	250	400	355	325	2	24	12-φ25	550	
DN300	300	445	400	370	2	24	16-φ25	610	
DN350	350	490	445	415	2	26	16-φ25	680	
DN400	400	560	510	475	2	28	16-φ27	780	



## 国标法兰过滤器

GB/T Flange Strainer

( WCB , CF8 , CF8M, Ti, Ni )

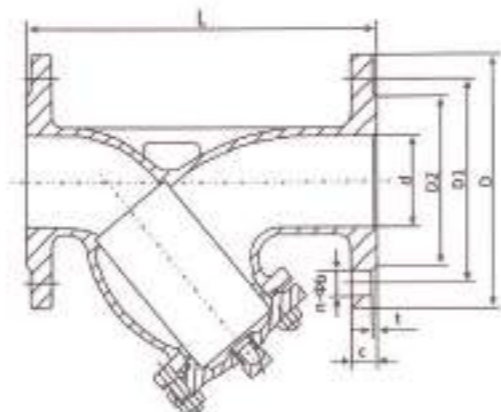


### 性能规范

公称压力: PN1.6-6.4  
强度试验压力: PT1.5PN  
适用介质: SY41-(16-64)C 水、油品、气  
适用温度: -29-180°C  
适用介质: SY41-(16-64)P 硝酸类, SY41-(16-64)R 醋酸类  
适用温度: -40-180°C

### Specifications

Nominal pressure: PN1.6-6.4  
Strength Test pressure: PT1.5PN  
Applicable medium: SY41-(16-64)C 水、油品、气  
Applicable temperature: -29-180°C  
Applicable medium: SY41-(16-64)P 硝酸类, SY41-(16-64)R 醋酸类  
Applicable temperature: -40-180°C



### 主要尺寸及重量 Main size and weight

PN16								
Size	d	D	D1	D2	t	C	n-Φb	L
DN15	15	95	65	45	2	14	4-Φ14	130
DN20	20	105	75	55	2	14	4-Φ14	140
DN25	25	115	85	65	2	14	4-Φ14	150
DN32	32	140	100	78	2	16	4-Φ18	170
DN40	38	150	110	85	3	16	4-Φ18	200
DN50	50	165	125	100	3	16	4-Φ18	220
DN65	64	185	145	120	3	18	4-Φ18	252
DN80	76	200	160	135	3	20	8-Φ18	280
DN100	100	220	180	155	3	20	8-Φ18	320
DN125	125	250	210	185	3	22	8-Φ18	350
DN150	150	285	240	210	3	24	8-Φ23	400
DN200	200	340	295	265	3	26	12-Φ23	480
DN250	250	405	355	320	3	30	12-Φ25	550
DN300	300	460	410	375	4	30	12-Φ25	610
DN350	350	520	470	435	4	34	16-Φ25	680
DN400	400	580	525	485	4	36	16-Φ30	780

PN25								
Size	d	D	D1	D2	t	C	n-Φb	L
DN15	15	95	65	45	2	16	4-Φ14	130
DN20	20	105	75	55	2	16	4-Φ14	140
DN25	25	115	85	65	2	16	4-Φ14	150
DN32	32	140	100	78	2	18	4-Φ18	170
DN40	38	150	110	85	3	18	4-Φ18	200
DN50	50	165	125	100	3	20	4-Φ18	220
DN65	64	185	145	120	3	22	8-Φ18	252
DN80	76	200	160	135	3	22	8-Φ18	280
DN100	100	230	190	160	3	24	8-Φ23	320
DN125	125	270	220	188	3	28	8-Φ25	350
DN150	150	300	250	218	3	30	8-Φ25	400
DN200	200	360	310	278	3	34	12-Φ25	480
DN250	250	425	370	332	3	36	12-Φ30	550
DN300	300	485	430	390	4	40	16-Φ30	610
DN350	350	555	490	448	4	44	16-Φ34	680
DN400	400	620	550	505	4	48	16-Φ34	780

### 主要零件材料 Materials of main parts

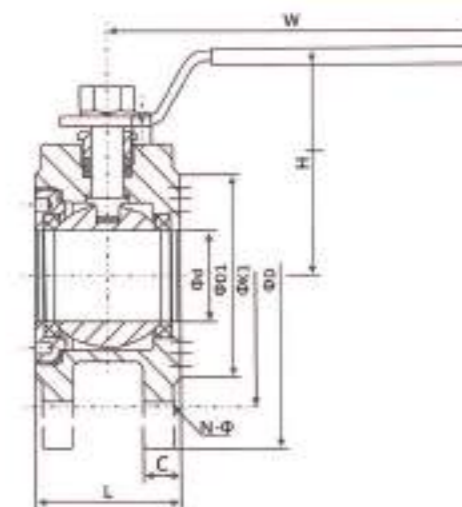
零件名称 Parts name	SY41-(16-64)C	SY41-(16-64)P	SY41-(16-64)R
阀体 Body	WCB	ZG1Cr18Ni9Ti CF8	ZG1Cr18Ni9Ti 12Mo2Ti CF8M
阀盖 Bonnet	WCB	ZG1Cr18Ni9Ti CF8	ZG1Cr18Ni9Ti 12Mo2Ti CF8M
过滤网 Mesh	1Cr18Ni9Ti 304	1Cr18Ni9Ti 304	1Cr18Ni 12Mo2Ti 316
垫片 Gasket	聚四氟乙烯/钢制石墨缠绕 Polytetrafluorethylene(PTFE)/Stainless steel and graphite spiral wound		



## 薄型法兰球阀

Thin Flange Ball Valve

( WCB , CF8 , CF8M, Ti, Ni )



### 主要零件材料 Materials of main parts

零件名称 Parts name	Q41F-(16-64)C	Q41F-(16-64)P	Q41F-(16-64)R
阀体 Body	WCB	ZG1Cr18Ni9Ti CF8	ZG1Cr18Ni12Mo2Ti CF8M
阀盖 Bonnet	WCB	ZG1Cr18Ni9Ti CF8	ZG1Cr18Ni12Mo2Ti CF8M
球体 Ball	1Cr18Ni9Ti 304	1Cr18Ni9Ti 304	1Cr18Ni12Mo2Ti 316
阀杆 Stem	1Cr18Ni9Ti 304	1Cr18Ni9Ti 304	1Cr18Ni12Mo2Ti 316
密封圈 Sealing	聚四氟乙烯 Polytetrafluorethylene(PTFE)		
填料 Packing	聚四氟乙烯 Polytetrafluorethylene(PTFE)		

### 主要外形尺寸 Main outer size(PN16)

DN	d	L	D	K	D1	C	H	N-Φ	W
15	15	35	95	65	46	10	65	4-M12	100
20	20	37	105	75	56	11	70	4-M12	110
25	25	42	115	85	65	12	80	4-M12	125
32	32	53	135	100	76	14	90	4-M16	150
40	38	62	145	110	85	16	96	4-M16	160
50	50	78	160	125	100	17	104	4-M16	180
65	58	90	180	145	118	18	110	4-M16	200
80	76	110	195	160	132	18	130	8-M16	250
100	90	134	215	180	156	19	145	8-M16	270
125	100	197	245	210	185	22	180	8-M18	320
150	125	231	480	240	207	24	200	8-M23	320

### 性能规范

公称压力: PN1.6,2.5,4.0,6.4MPa  
强度试验压力: PT2.4,3.8,6.0,9.6MPa  
低气压密封试验压力: 0.6MPa  
适用介质: Q41F-(16-64)C 水、油品、气  
适用温度: -29-180°C  
适用介质: Q41F-(16-64)P 硝酸类,  
Q41F-(16-64)R 醋酸类  
适用温度: -29°C-180°C

### Specifications

Nominal pressure: PN1.6,2.5,4.0,6.4MPa  
Strength Test pressure: PT2.4,3.8,6.0,9.6MPa  
Low pressure seal test pressure: 0.6MPa  
Applicable medium: Q41F-(16-64)C Water, oil, gas  
Applicable temperature: -29-180°C  
Applicable medium: Q41F-(16-64)P Nitric acid,  
Q41F-(16-64)R Acetic acid  
Applicable temperature: -29°C-180°C

## 一体式范泄漏球阀

Integral Leakproof Ball Valve

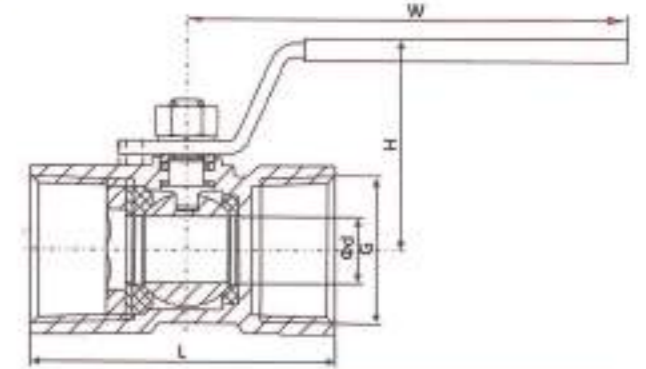
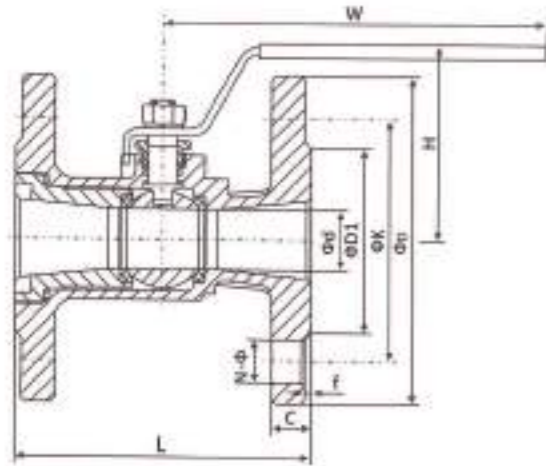
(WCB, CF8, CF8M, Ti, Ni)



## 一体式范泄漏球阀

Integral Leakproof Ball Valve

(WCB, CF8, CF8M, Ti, Ni)



### 主要零件材料 Materials of main parts

零件名称 Parts name	Q41F-(16-64)C	Q41F-(16-64)P	Q41F-(16-64)R
阀体 Body	WCB	ZG1Cr18Ni9Ti CF8	ZG1Cr18Ni12Mo2Ti CF8M
阀盖 Bonnet	WCB	ZG1Cr18Ni9Ti CF8	ZG1Cr18Ni12Mo2Ti CF8M
球体 Ball	1Cr18Ni9Ti 304	1Cr18Ni9Ti 304	1Cr18Ni12Mo2Ti 316
阀杆 Stem	1Cr18Ni9Ti 304	1Cr18Ni9Ti 304	1Cr18Ni12Mo2Ti 316

密封圈 Sealing 聚四氟乙烯 Polytetrafluorethylene (PTFE)

填料 Packing 聚四氟乙烯 Polytetrafluorethylene (PTFE)

### 设计标准

公称压力: PN1.6, 2.5, 4.0, 6.4MPa  
强度试验压力: PT2.4, 3.8, 6.0, 9.6MPa  
低气压密封试验压力: 0.6MPa  
适用介质: Q41F-(16-64)C 水、油品、气  
适用温度: -29~180°C  
适用介质: Q41F-(16-64)P 硝酸类、  
Q41F-(16-64)R 醋酸类  
适用温度: -29~180°C

### Design standards

Nominal pressure: PN1.6, 2.5, 4.0, 6.4MPa  
Strength test pressure: PT2.4, 3.8, 6.0, 9.6MPa  
Low pressure seal test pressure: 0.6MPa  
Applicable medium: Q41F-(16-64)C Water, Oil, Gas  
Applicable temperature: -29~180°C  
Applicable medium: Q41F-(16-64)P Nitric acid,  
Q41F-(16-64)R Acetic acid  
Applicable temperature: -29°C~180°C

### 主要外形尺寸 Main outer size (PN16)

DN	d	L	D	K	D1	C	f	H	N-φ	W
15	12	90	95	65	46	14	2	60	4-14	110
20	15	105	105	75	56	14	2	65	4-14	120
25	20	110	115	85	65	15	2	75	4*14	150
32	25	125	135	100	76	16	3	83	4-18	160
40	32	136	145	110	85	18	3	90	4-18	160
50	38	155	160	125	100	18	3	100	4-18	180
65	50	170	180	145	118	20	3	110	4-18	200
80	65	200	195	160	132	20	3	130	8-18	250
100	80	230	215	180	150	22	3	150	8-18	270

### 主要零件材料 Materials of main parts

零件名称 Parts name	Q41F-(16-64)C	Q41F-(16-64)P	Q41F-(16-64)R
阀体 Body	WCB	ZG1Cr18Ni9Ti CF8	ZG1Cr18Ni12Mo2Ti CF8M
阀盖 Bonnet	WCB	ZG1Cr18Ni9Ti CF8	ZG1Cr18Ni12Mo2Ti CF8M
球体 Ball	1Cr18Ni9Ti 304	1Cr18Ni9Ti 304	1Cr18Ni12Mo2Ti 316
阀杆 Stem	1Cr18Ni9Ti 304	1Cr18Ni9Ti 304	1Cr18Ni12Mo2Ti 316

密封圈 Sealing 聚四氟乙烯 Polytetrafluorethylene (PTFE)

填料 Packing 聚四氟乙烯 Polytetrafluorethylene (PTFE)

### 主要外形尺寸 Main outer size (PN16)

DN	G	d	L	H	W
8	1/4"	5	40	34	70
10	3/8"	7	45	36	70
15	1/2"	9	55	39	80
20	3/4"	12	60	43	90
25	1"	15	70	46	105
32	1 1/4"	20	80	53	120
40	1 1/2"	25	86	59	130
50	2"	32	101	65	145
65	2 1/2"	38	117	74	170
80	3"	49	140	105	185
100	4"	64	186	115	220

### 性能规范

公称压力: PN1.6, 2.5, 4.0, 6.4MPa  
强度试验压力: PT2.4, 3.8, 6.0, 9.6MPa  
低气压密封试验压力: 0.6MPa  
适用介质: Q11F-(16-64)C 水、油品、气  
适用温度: -29~180°C  
适用介质: Q11F-(16-64)P 硝酸类、  
Q11F-(16-64)R 醋酸类

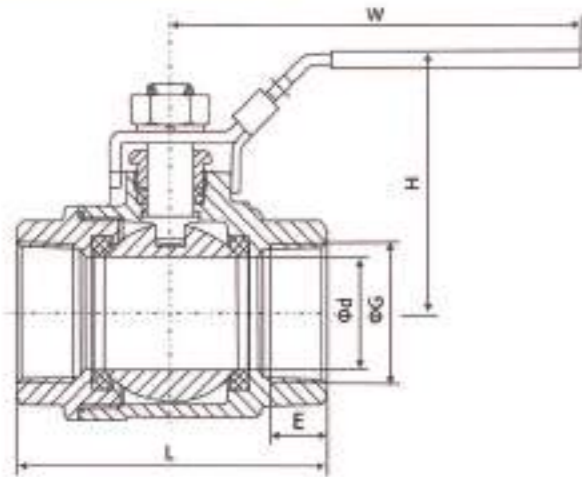
### Specifications

Nominal pressure: PN1.6, 2.5, 4.0, 6.4MPa  
Strength test pressure: PT2.4, 3.8, 6.0, 9.6MPa  
Seat testing pressure (low pressure): 0.6MPa  
Applicable media: Q11F-(16-64)C Water, Oil, Gas  
Applicable temperature: -29~180°C  
Applicable media: Q11F-(16-64)P Nitric acid,  
Q11F-(16-64)R Acetic acid

## 二片式内螺纹球阀

2PC Internal Thread Ball Valve

(WCB, CF8, CF8M, Ti, Ni)



### 主要零件材料 Materials of main parts

零件名称 Parts name	Q11F-(16-64)C	Q11F-(16-64)P	Q11F-(16-64)R
阀体 Body	WCB	ZG1Cr18Ni9Ti CF8	ZG1Cr18Ni12Mo2Ti CF8M
阀盖 Bonnet	WCB	ZG1Cr18Ni9Ti CF8	ZG1Cr18Ni12Mo2Ti CF8M
球体 Ball	1Cr18Ni9Ti 304	1Cr18Ni9Ti 304	1Cr18Ni12Mo2Ti 316
阀杆 Stem	1Cr18Ni9Ti 304	1Cr18Ni9Ti 304	1Cr18Ni12Mo2Ti 316
密封圈 Sealing	聚四氟乙烯 Polytetrafluorethylene (PTFE)		
填料 Packing	聚四氟乙烯 Polytetrafluorethylene (PTFE)		

### 主要外形尺寸 Main outer size

DN	G	d	L	E	H	W
8	1/4"	10	57	14	58	80
10	3/8"	12	57	14	58	80
15	1/2"	15	57	14	58	95
20	3/4"	20	65	15	62	105
25	1"	25	79	15	72	120
32	1 1/4"	32	90	18	80	140
40	1 1/2"	38	98	19	90	155
50	2"	50	116	19	98	170

### 设计标准

公称压力: PN1.6, 2.5, 4.0, 6.4MPa  
 强度试验压力: PT2.4, 3.8, 6.0, 9.6MPa  
 低压气密封试验压力: 0.6MPa  
 适用介质: Q11F-(16-64)C 水、油品、气  
 适用温度: -29~180°C  
 适用介质: Q11F-(16-64)P 硝酸类、  
 Q11F-(16-64)R 醋酸类

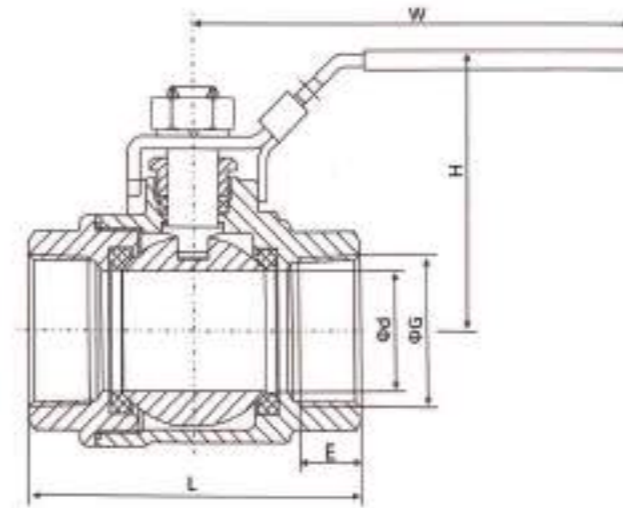
### Design standards

Nominal pressure: PN1.6, 2.5, 4.0, 6.4MPa  
 Strength Test pressure: PT2.4, 3.8, 6.0, 9.6MPa  
 Low pressure seal test pressure: 0.6MPa  
 Applicable media: Q41F-(16-64)C Water, Oil, Gas  
 Applicable temperature: -29~180°C  
 Applicable media: Q41F-(16-64)P Nitric acid,  
 Q41F-(16-64)R Acetic acid

## 二片式内螺纹球阀

2PC Internal Thread Ball Valve

(WCB, CF8, CF8M, Ti, Ni)



### 性能规范

公称压力: PN1.6, 2.5, 4.0, 6.4MPa  
 强度试验压力: PT2.4, 3.8, 6.0, 9.6MPa  
 低压气密封试验压力: 0.6MPa  
 适用介质: Q11F-(16-64)C 水、油品、气  
 适用温度: -29~180°C  
 适用介质: Q11F-(16-64)P 硝酸类、  
 Q11F-(16-64)R 醋酸类

### Specifications

Nominal pressure: PN1.6, 2.5, 4.0, 6.4MPa  
 Strength testing pressure: PT2.4, 3.8, 6.0, 9.6MPa  
 Seat testing pressure (low pressure): 0.6MPa  
 Applicable media: Q11F-(16-64)C Water, Oil, Gas  
 Applicable temperature: -29~180°C  
 Applicable media: Q11F-(16-64)P Nitric acid,  
 Q11F-(16-64)R Acetic acid

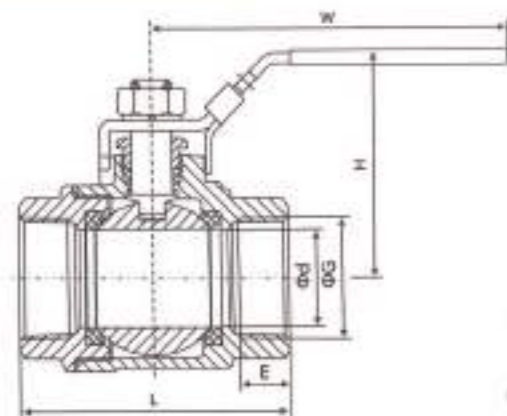
### 主要零件材料 Materials of main parts

零件名称 Parts name	Q11F-(16-64)C	Q11F-(16-64)P	Q11F-(16-64)R
阀体 Body	WCB	ZG1Cr18Ni9Ti CF8	ZG1Cr18Ni12Mo2Ti CF8M
阀盖 Bonnet	WCB	ZG1Cr18Ni9Ti CF8	ZG1Cr18Ni12Mo2Ti CF8M
球体 Ball	1Cr18Ni9Ti 304	1Cr18Ni9Ti 304	1Cr18Ni12Mo2Ti 316
阀杆 Stem	1Cr18Ni9Ti 304	1Cr18Ni9Ti 304	1Cr18Ni12Mo2Ti 316
密封圈 Sealing	聚四氟乙烯 Polytetrafluorethylene (PTFE)		
填料 Packing	聚四氟乙烯 Polytetrafluorethylene (PTFE)		

## 二片式内螺纹球阀

2PC Internal Thread Ball Valve

( WCB , CF8 , CF8M,Ti,Ni )



### 主要零件材料 Materials of main parts

零件名称 Parts name	Q41F-(16-64)C	Q41F-(16-64)P	Q41F-(16-64)R
阀体 Body	WCB	ZG1Cr18Ni9Ti CF8	ZG1Cr18Ni12Mo2Ti CF8M
阀盖 Bonnet	WCB	ZG1Cr18Ni9Ti CF8	ZG1Cr18Ni12Mo2Ti CF8M
球体 Ball	1Cr18Ni9Ti 304	1Cr18Ni9Ti 304	1Cr18Ni12Mo2Ti 316
阀杆 Stem	1Cr18Ni9Ti 304	1Cr18Ni9Ti 304	1Cr18Ni12Mo2Ti 316
密封圈 Sealing	聚四氟乙烯 Polytetrafluorethylene (PTFE)		
填料 Packing	聚四氟乙烯 Polytetrafluorethylene (PTFE)		

### 设计标准

公称压力: PN1.6, 2.5, 4.0, 6.4MPa  
强度试验压力: PT2.4, 3.8, 6.0, 9.6MPa  
低压气密封试验压力: 0.6MPa  
适用介质: Q11F-(16-64)C 水、油品、气  
适用温度: -29-180°C  
适用介质: Q11F-(16-64)P 硝酸类,  
Q11F-(16-64)R 醋酸类

### Design standards

Nominal pressure: PN1.6, 2.5, 4.0, 6.4MPa  
Strength Test pressure: PT2.4, 3.8, 6.0, 9.6MPa  
Low pressure seal test pressure: 0.6MPa  
Applicable medium: Q41F-(16-64)C Water, Oil, Gas  
Applicable temperature: -29-180°C  
Applicable medium: Q41F-(16-64)P Nitric acid,  
Q41F-(16-64)R Acetic acid

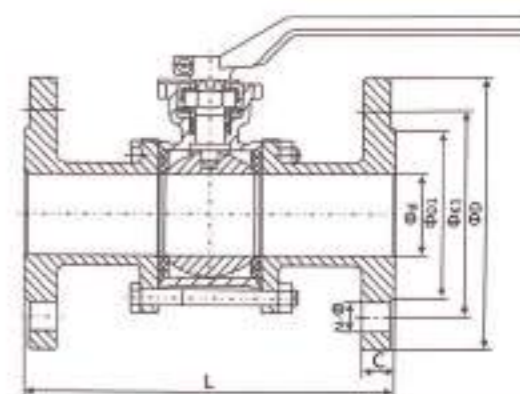
### 主要外形尺寸 Main outer size

DN	G	d	L		E	H	W
			①	②-M3			
8	1/4"	10	55	55	11.5	50	95
10	3/8"	12	55	60	11.5	50	95
15	1/2"	15	63	75	14	65	105
20	3/4"	20	73	80	15	75	120
25	1"	25	84	90	15	72	140
32	1 1/4"	32	98	110	18	80	155
40	1 1/2"	38	106	120	19	95	170
50	2"	50	121	140	19	105	185
65	2 1/2"	64	152	182	23	120	220
80	3"	78	171	205	25	133	270
100	4"	100	204	240	28	156	315

## 三片式法兰球阀

3PC Flange Ball Valve

( WCB , CF8 , CF8M,Ti,Ni )



### 主要零件材料 Materials of main parts

零件名称 Parts name	Q41F-(16-64)C	Q41F-(16-64)P	Q41F-(16-64)R
阀体 Body	WCB	ZG1Cr18Ni9Ti CF8	ZG1Cr18Ni12Mo2Ti CF8M
阀盖 Bonnet	WCB	ZG1Cr18Ni9Ti CF8	ZG1Cr18Ni12Mo2Ti CF8M
球体 Ball	1Cr18Ni9Ti 304	1Cr18Ni9Ti 304	1Cr18Ni12Mo2Ti 316
阀杆 Stem	1Cr18Ni9Ti 304	1Cr18Ni9Ti 304	1Cr18Ni12Mo2Ti 316
密封圈 Sealing	聚四氟乙烯 Polytetrafluorethylene (PTFE)		
填料 Packing	聚四氟乙烯 Polytetrafluorethylene (PTFE)		

### 性能规范

公称压力: PN1.6, 2.5, 4.0, 6.4MPa  
强度试验压力: PT2.4, 3.8, 6.0, 9.6MPa  
低气压密封试验压力: 0.6MPa  
适用介质: Q41F-(16-64)C 水、油品、气  
适用温度: -29-180°C  
适用介质: Q41F-(16-64)P 硝酸类,  
Q41F-(16-64)R 醋酸类  
适用温度: -29°C-180°C

### Specifications

Nominal pressure: PN1.6, 2.5, 4.0, 6.4MPa  
Strength testing pressure: PT2.4, 3.8, 6.0, 9.6MPa  
Seat testing pressure (low pressure): 0.6MPa  
Applicable media: Q41F-(16-64)C Water, oil, gas  
Applicable temperature: -29-180°C  
Applicable media: Q41F-(16-64)P Nitric acid,  
Q41F-(16-64)R Acetic acid  
Applicable temperature: -29°C-180°C

### 主要外形尺寸 Main outer size

DN	B	L	H	W	D	K	D1	C	N-φ	D	K	D1	C	N-φ	D	K	D1	C	N-φ
15	15	130	75	130	95	65	45	14	4-14	95	65	45	16	4-14	89	60.5	35	10	4-15
20	20	150	80	140	105	75	58	16	4-14	105	75	58	18	4-14	98	70	43	11	4-15
25	25	160	85	150	115	85	65	16	4-14	115	85	68	18	4-14	108	79.5	51	12	4-15
32	32	180	100	170	140	100	78	16	4-18	140	100	78	18	4-18	117	89	64	13	4-15
40	38	200	110	200	150	110	88	16	4-18	150	110	88	18	4-18	127	98.5	73	15	4-15
50	50	230	120	220	165	125	102	18	4-18	165	125	102	20	4-18	152	120.5	92	16	4-19
65	65	250/290	130	280	185	145	122	18	4-18	185	145	122	22	8-18	178	139.5	105	18	4-19
80	78	280/310	140	300	200	160	138	20	4-18	200	160	138	24	8-18	190	152.5	127	19	4-19
100	100	320/350	160	340	220	180	158	20	8-18	235	190	165	24	8-22	229	190.5	157	24	8-19
125	125	400	215	550	250	210	185	22	8-18	270	220	188	28	8-25	255	215.9	185.7	24	8-22
150	150	480	233	650	285	240	210	24	8-23	300	250	218	30	8-25	280	241.3	215.9	26	8-22

## 三片式平台球阀

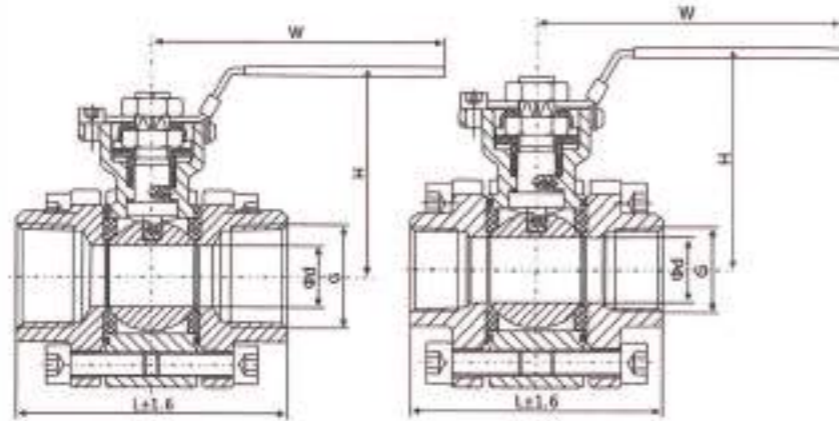
3PC Platform Ball Valve

( WCB , CF8 , CF8M, Ti, Ni )



### 设计标准

设计标准 : ASME B16.34  
 结构长度 : DIN3202-M3  
 连接标准 : ASME B12.01(NPT),  
 DIN2999&BS21,  
 ISO228/1&ISO7/1  
 试验和检验 : API 598  
**Design Standard**  
 Design Standard : ASME B16.34  
 Face to Face : DIN3202-M3  
 Connection Standard : ASME B12.01(NPT),  
 DIN2999&BS21,  
 ISO228/1&ISO7/1  
 Test and Inspection : API 598



### 主要零件材料 Materials of main parts

材料名称Material name	碳钢Carbon steel	不锈钢Stainless steel	锻钢Forged steel
阀体 Body	A216 WCB	A351 CF8 A351 CF8M	A105
阀盖 Bonnet	A216 WCB	A351 CF8 A351 CF8M	A105
球体 Ball	A276 304/A276 316		
阀杆 Stem	2Cr13/A276 304/A276 316		
阀座 Seat	PTFE, RPTFE		
填料 Gland Packing	PTFE/柔性石墨 PTFE/ Flexible Graphite		
压盖 Gland	A216 WCB	A351 CF8	A216 WCB
螺栓 Bolt	A193-B7	A193-B8M	A193-B7
螺母 Nut	A194-2H	A194-8	A194-2H

### 主要外形尺寸 Main outer size

DN(mm)	G	d	L	H	W	DN(mm)	G	d	L	H	W
8	1/4"	8	65	66	100	8	1/4"	8	65	66	100
10	3/8"	10	65	66	100	10	3/8"	10	65	66	100
15	1/2"	14	75	66	100	15	1/2"	14	75	66	100
20	3/4"	20	80	73	115	20	3/4"	14	80	66	100
25	1"	25	90	87	140	25	1"	20	90	73	115
32	1 1/4"	32	110	91	140	32	1 1/4"	25	100	87	140
40	1 1/2"	38	120	105	180	40	1 1/2"	32	120	91	140
50	2"	50	140	113	190	50	2"	38	140	105	180
						65	2 1/2"	50	185	113	190

如果您有其他标准规格, 请联系我们。  
 If you need other standard specification, please contact us.

## 三片式焊接球阀

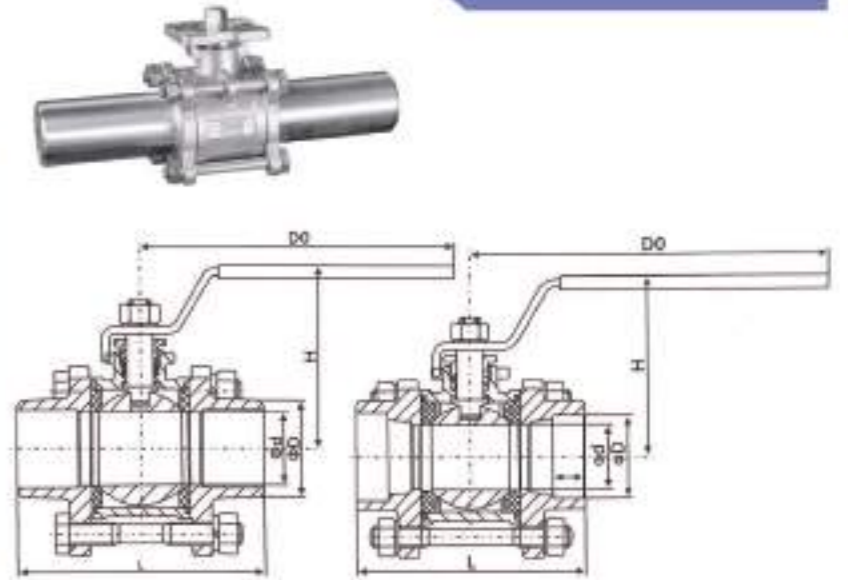
3PC Welded Ball Valve

( WCB , CF8 , CF8M, Ti, Ni )



### 设计标准

设计标准 : ASME B16.34  
 结构长度 : DIN3202-M3  
 连接标准 : ASME B12.01(NPT),  
 DIN2999&BS21,  
 ISO228/1&ISO7/1  
 试验和检验 : API 598  
**Design Standard**  
 Design Standard : ASME B16.34  
 Face to Face : DIN3202-M3  
 Connection Standard : ASME B12.01(NPT),  
 DIN2999&BS21,  
 ISO228/1&ISO7/1  
 Test and Inspection : API 598



### 主要零件材料 Materials of main parts

材料名称Material name	碳钢Carbon steel	不锈钢Stainless steel	锻钢Forged steel
阀体 Body	A216 WCB	A351 CF8 A351 CF8M	A105
阀盖 Bonnet	A216 WCB	A351 CF8 A351 CF8M	A105
球体 Ball	A276 304/A276 316		
阀杆 Stem	2Cr13/A276 304/A276 316		
阀座 Seat	PTFE, RPTFE		
填料 Gland Packing	PTFE/柔性石墨 PTFE/ Flexible Graphite		
压盖 Gland	A216 WCB	A351 CF8	A216 WCB
螺栓 Bolt	A193-B7	A193-B8M	A193-B7
螺母 Nut	A194-2H	A194-8	A194-2H

### 主要外形尺寸 Main outer size

DN(mm)	d	D	D1	t	L	H	D0
8	10	13.5	14.6	9.5	65	50	90
10	12	17.5	18	9.5	65	50	90
15	15	22	22.2	9.5	75	55	100
20	20	27	27.6	12.5	80	60	120
25	25	34	34.3	12.5	90	70	140
32	32	42.5	43.1	12.5	110	82	140
40	38	48.5	49.2	12.5	120	90	180
50	50	61	61.7	16	140	105	200
65	64	73	74.4	16	160	120	220
80	78	90	90.3	16	180	132	240
100	100	115	115.7	19	215	160	300

## 三片式内螺纹球阀

3PC Internal Thread Ball Valve

(WCB, CF8, CF8M, Ti, Ni)

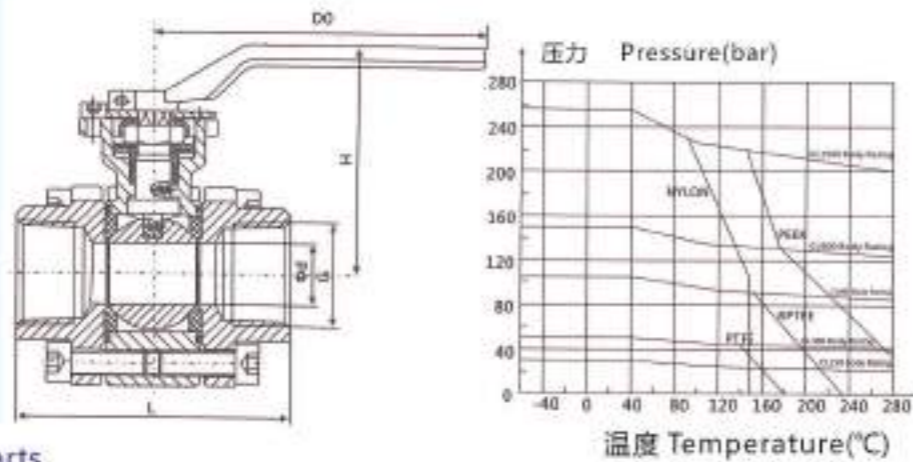


### 设计标准

设计标准: ASME B16.34  
 结构长度: DIN3202-M3  
 连接标准: ASME B12.01(NPT),  
 DIN2999&B521,  
 ISO228/1&ISO7/1  
 试验和检验: API

### Design Standards

Design Standard: ASME B16.34  
 Face to Face: DIN3202-M3  
 Connection Standard: ASME B12.01(NPT),  
 DIN2999&B521,  
 ISO228/1&ISO7/1  
 Test and Inspection: API



### 主要零件材料 Materials of main parts

材料名称 Material name	碳钢 Carbon steel	不锈钢 Stainless steel		锻钢 Forged steel
阀体 Body	A216 WCB	A351 CF8	A351 CF8M	A105
阀盖 Bonnet	A216 WCB	A351 CF8	A351 CF8M	A105
球体 Ball	A276 304/A276 316			
阀杆 Stem	2Cr13/A276 304/A276 316			
阀座 Seat	PTFE, RPTFE			
填料 Gland Packing	PTFE/柔性石墨 PTFE/Flexible Graphite			
压盖 Gland	A216 WCB	A351 CF8		A216 WCB
螺栓 Bolt	A193-B7	A193-B8M		A193-B7
螺母 Nut	A194-2H	A194-8		A194-2H

DN(mm)	G	d	L		H	W
			M3	M3		
8	1/4"	10	65	-	50	95
10	3/8"	12	65	-	50	95
15	1/2"	15	75	75	55	105
20	3/4"	20	80	80	60	120
25	1"	25	90	90	70	140
32	1 1/4"	32	110	110	82	155
40	1 1/2"	38	120	120	90	170
50	2"	50	140	140	105	220
65	2 1/2"	64	160	185	120	245
80	3"	78	180	205	132	270
100	4"	100	215	240	156	315

## 三通法兰L/T型球阀

Tee Flanged Ball Valve

(WCB, CF8, CF8M, Ti, Ni)

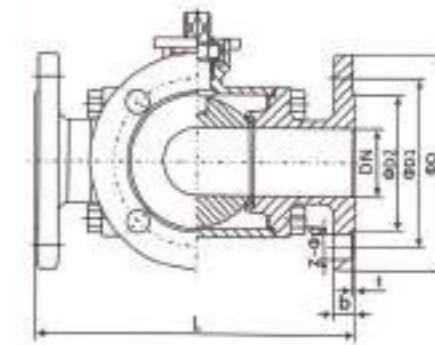


### 性能规范

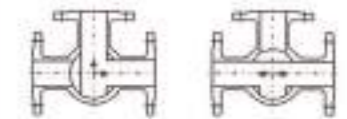
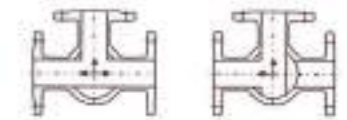
设计依据: GB/T ASME  
 设计标准: GB/T 12237 ASME B16.34  
 结构长度: GB/T 12221 ASME B16.10  
 连接法兰: GB/T 9113 Jb79 ASME B16.5  
 试验与检验: GB/T 12237 Jb9092 API 598

### Specifications

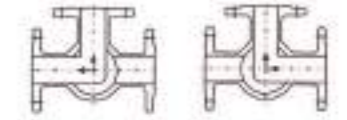
Design Basis: GB/T ASME  
 Design criteria: GB/T 12237 ASME B16.34  
 Structure Length: GB/T 12221 ASME B16.10  
 Connection Flange: GB/T 9113 Jb79 ASME B16.5  
 Test and inspection: GB/T 12237 Jb9092 API 598



T型三通端口位置图  
T Port Position



L型三通端口位置图  
L Port Position



### 主要零件材料 Materials of main parts

材料名称 Material name	碳钢 Carbon steel	不锈钢 Stainless steel	
阀体 Body	A216 WCB	A351 CF8	A351 CF8
阀盖 Bonnet	A216 WCB	A351 CF8	A351 CF8
球体 Ball	A276 304/A276 316		
阀杆 Stem	2Cr13/A276 304/A276 316		
阀座 Seat	PTFE, RPTFE		
填料 Gland Packing	PTFE/柔性石墨 PTFE/Flexible Graphite		
压盖 Gland	A216 WCB	A351 CF8	
螺栓 Bolt	A193-B7	A193-B8M	
螺母 Nut	A194-2H	A194-8	

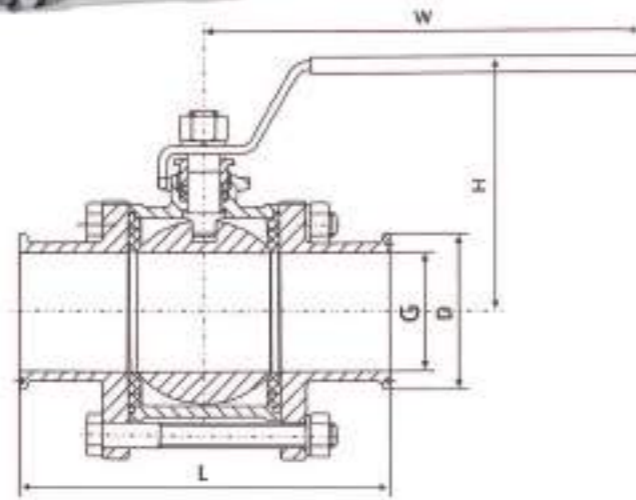
### 主要外形尺寸 Main outer size(PN16)

DN(mm)	L	D	D1	D2	b	f	z-φd
15	150	95	65	45	14	2	4-14
20	160	105	70	55	14	2	4-14
25	180	115	85	65	14	2	4-14
32	200	140/135	100	78	16	2	4-18
40	220	150/145	110	85	16	3	4-18
50	240	165/160	125	100	16	3	4-18
65	260	185/180	145	120	18	3	4-18
80	280	200/195	160	135	20	3	8-18
100	320	200/215	180	155	20	3	8-18
125	380	250/245	210	185	22	3	8-18
150	440	285/280	240	210	24	3	8-23
200	550	340/335	295	265	26	3	12-23

## 卫生级快装球阀

Sanitary Fast Loading Ball Valve

(WCB, CF8, CF8M, Ti, Ni)



### 设计标准

公称压力: PN0.6, 1.0, 1.6, 2.0, 2.5MPa  
强度试验压力: PT0.9, 1.5, 2.4, 3.0, 3.8MPa  
低压气密封试验压力: 0.6MPa  
适用介质: Q81F-(6-25)C 水、油品、气  
适用温度: -29~180°C  
适用介质: Q81F-(6-25)P 硝酸类、Q81F-(6-25)R 醋酸类

### Design standards

Nominal pressure: PN0.6, 1.0, 1.6, 2.0, 2.5MPa  
Strength testing pressure: PT0.9, 1.5, 2.4, 3.0, 3.8MPa  
Seat testing pressure (Low pressure): 0.6MPa  
Applicable media: Q81F-(6-25)C Water, Oil, Gas  
Applicable temperature: -29~180°C  
Applicable media: Q81F-(6-25)P Nitric acid, Q81F-(6-25)R Acetic acid

### 主要零件材料 Materials of main parts

零件名称 Parts name	Q <sub>15</sub> <sup>14</sup> F-(16-64)C	Q <sub>15</sub> <sup>14</sup> F-(16-64)P	Q <sub>15</sub> <sup>14</sup> (16-64)R
阀体 Body	WCB	ZG1Cr18Ni9Ti CF8	ZG1Cr18Ni12Mo2Ti CF8M
阀盖 Bonnet	WCB	ZG1Cr18Ni9Ti CF8	ZG1Cr18Ni12Mo2Ti CF8M
球体 Ball	1Cr18Ni9Ti 304	1Cr18Ni9Ti 304	1Cr18Ni12Mo2Ti 316
阀杆 Stem	1Cr18Ni9Ti 304	1Cr18Ni9Ti 304	1Cr18Ni12Mo2Ti 316
阀座 Sealing	聚四氟乙烯 Polytetrafluorethylene (PTFE)		
填料 Packing	聚四氟乙烯 Polytetrafluorethylene (PTFE)		

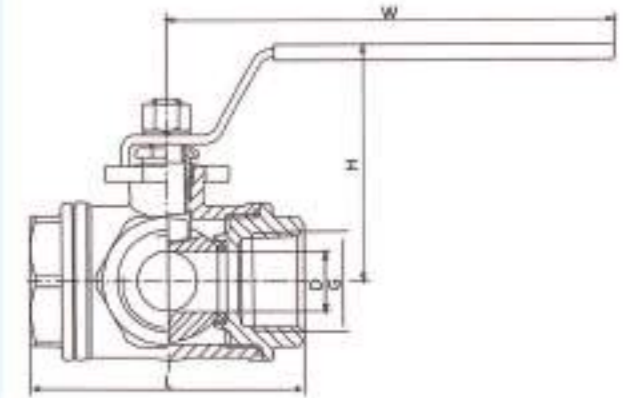
### 主要外形尺寸 Main outer size

DN	G	D	L	H	W
15	1/2"	34/50.5	100	55	100
20	3/4"	34/50.5	100	60	120
25	1"	50.5	120	70	140
32	1 1/4"	50.5	130	82	140
40	1 1/2"	50.5	140	90	180
50	2"	64	156	105	200
65	2 1/2"	91	196	120	220
80	3"	106	228	132	240
100	4"	119	242	158	310

## 内螺纹T/L三通球阀

Internal Thread Tee Ball Valve

(WCB, CF8, CF8M, Ti, Ni)



### 性能规范

公称压力: PN1.6, 2.5, 4.0, 6.4MPa  
强度试验压力: PT2.4, 3.8, 6.0, 9.6MPa  
低气压密封试验压力: 0.6MPa  
适用介质: Q<sub>15</sub><sup>14</sup>F-(16-64)C 水、油品、气  
适用温度: -29~180°C  
适用介质: Q<sub>15</sub><sup>14</sup>F-(16-64)P 硝酸类、Q<sub>15</sub><sup>14</sup>F-(16-64)R 醋酸类

### Specifications

Nominal pressure: PN1.6, 2.5, 4.0, 6.4MPa  
Strength testing pressure: PT2.4, 3.8, 6.0, 9.6MPa  
Seat testing pressure (Low pressure): 0.6MPa  
Applicable media: Q<sub>15</sub><sup>14</sup>F-(16-64)C Water, Oil, Gas  
Applicable temperature: -29~180°C  
Applicable media: Q<sub>15</sub><sup>14</sup>F-(16-64)P Nitric acid, Q<sub>15</sub><sup>14</sup>F-(16-64)R Acetic acid

### 主要零件材料 Materials of main parts

零件名称 Parts name	Q <sub>15</sub> <sup>14</sup> F-(16-64)C	Q <sub>15</sub> <sup>14</sup> F-(16-64)P	Q <sub>15</sub> <sup>14</sup> (16-64)R
阀体 Body	WCB	ZG1Cr18Ni9Ti CF8	ZG1Cr18Ni12Mo2Ti CF8M
阀盖 Bonnet	WCB	ZG1Cr18Ni9Ti CF8	ZG1Cr18Ni12Mo2Ti CF8M
球体 Ball	1Cr18Ni9Ti 304	1Cr18Ni9Ti 304	1Cr18Ni12Mo2Ti 316
阀杆 Stem	1Cr18Ni9Ti 304	1Cr18Ni9Ti 304	1Cr18Ni12Mo2Ti 316
阀座 Sealing	聚四氟乙烯 Polytetrafluorethylene (PTFE)		
填料 Packing	聚四氟乙烯 Polytetrafluorethylene (PTFE)		

### 主要外形尺寸 Main outer size

DN	G	L	d	H	W
8	1/4"	71	10	56	110
10	3/8"	71	12	56	110
15	1/2"	74	12	58	110
20	3/4"	88	15	60	120
25	1"	92	20	70	140
32	1 1/4"	124	25	82	140
40	1 1/2"	138	32	95	180
50	2"	154	38	100	200
65	2 1/2"	180	48.5	180	240

## 高压球阀 800LB-16MPa

High Pressure  
Ball Valve

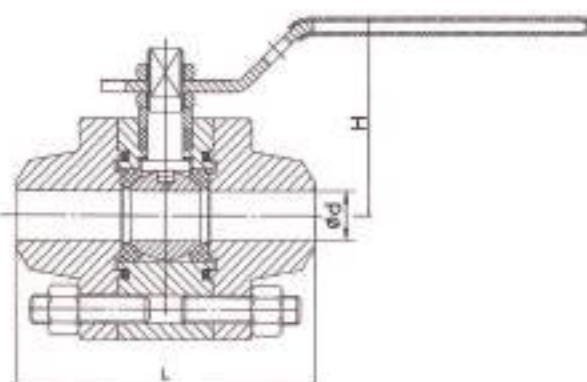
( WCB , CF8 , CF8M,Ti,Ni )



## 高压球阀 800LB-16MPa

High Pressure  
Ball Valve

( WCB , CF8 , CF8M,Ti,Ni )



### 性能规范

设计标准: ASME B16.34

结构长度: DIN3202-M3

连接标准: ASME B12.01(NPT),  
DIN2999&BS21,  
ISO228/1&ISO7/1

试验与检验: API 598

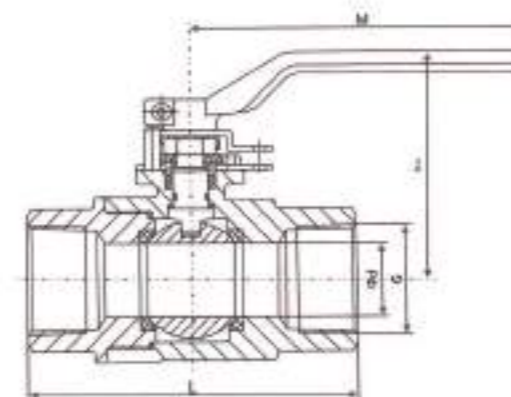
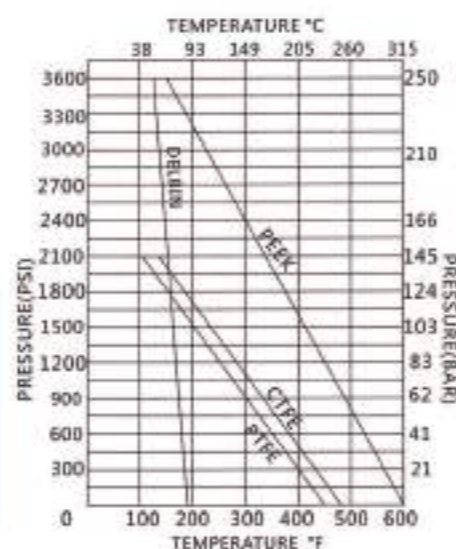
### Specifications

Design Standard: ASME B16.34

Face to Face: DIN3202-M3

Connection Standard: ASME B12.01(NPT),  
DIN2999&BS21,  
ISO228/1&ISO7/1

Test and Inspection: API 598



### 性能规范

设计标准: ASME B16.34

结构长度: DIN3202-M3

连接标准: ASME B12.01(NPT),  
DIN2999&BS21,  
ISO228/1&ISO7/1

试验与检验: API 598

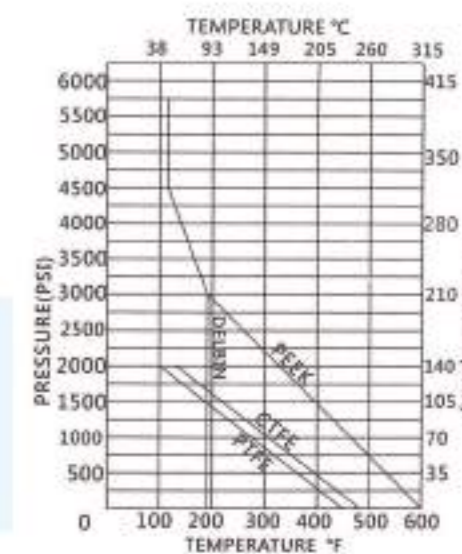
### Specifications

Design Standard: ASME B16.34

Face to Face: DIN3202-M3

Connection Standard: ASME B12.01(NPT),  
DIN2999&BS21,  
ISO228/1&ISO7/1

Test and Inspection: API 598



### 主要零件材料 Materials of main parts

材料名称 Material name	碳钢 Carbon steel	不锈钢 Stainless steel	锻钢 Forged steel
阀体 Body	A216 WCB	A351 CF8 / A351 CF8M	A105
阀盖 Bonnet	A352 LCB		A350 LF2
球体 Ball	A352 LCC	A276 304/A276 316	
阀杆 Stem		2Cr13/A276 304/A276 316	
阀座 Seat		PTFE, CTFE, PEEK, DELBIN, 石墨	
填料 Gland Packing		PTFE/柔性石墨 PTFE/Flexible Graphite	
压盖 Gland	A216 WCB	A351 CF8	A216 WCB
螺栓 Bolt	A193-87	A193-86M	A193-87
螺母 Nut	A194-2H	A194-8	A194-2H

### 主要零件材料 Materials of main parts

材料名称 Material name	碳钢 Carbon steel	不锈钢 Stainless steel	锻钢 Forged steel
阀体 Body	A216 WCB	A351 CF8 / A351 CF8M	A105
阀盖 Bonnet	A352 LCB		A350 LF2
球体 Ball	A352 LCC	A276 304/A276 316	
阀杆 Stem		2Cr13/A276 304/A276 316	
阀座 Seat		PTFE, CTFE, PEEK, DELBIN, 石墨	
填料 Gland Packing		PTFE/柔性石墨 PTFE/Flexible Graphite	
压盖 Gland	A216 WCB	A351 CF8	A216 WCB



## 二片式外螺纹球阀

2PC External Thread Ball Valve

(WCB, CF8, CF8M, Ti, Ni)

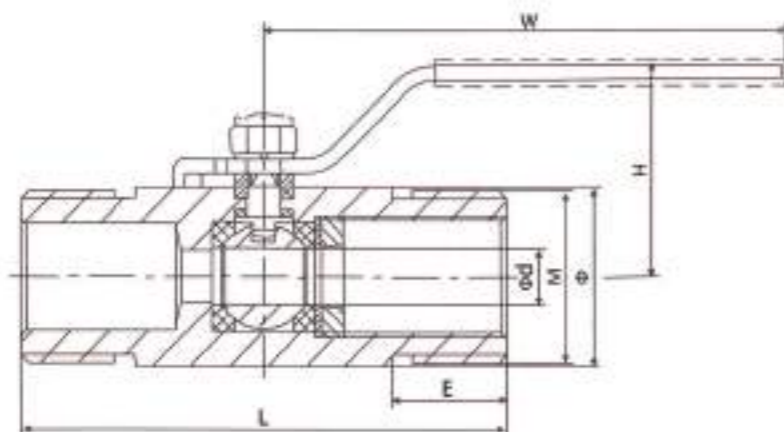


### 性能规范

公称压力: PN1.6, 2.5, 4.0, 6.4MPa  
 强度试验压力: PT2.4, 3.8, 6.0, 9.6MPa  
 低压气密封试验压力: 0.6MPa  
 适用介质: Q21F-(16-64)C 水、油品、气  
 适用温度: -29~180°C  
 适用介质: Q21F-(16-64)P 硝酸类,  
 Q21F-(16-64)R 醋酸类

### Specifications

Nominal pressure: PN1.6, 2.5, 4.0, 6.4MPa  
 Strength testing pressure: PT2.4, 3.8, 6.0, 9.6MPa  
 Seat testing pressure (low pressure): 0.6MPa  
 Applicable media: Q21F-(16-64)C Water, oil, gas  
 Applicable temperature: -29~180°C  
 Applicable media: Q21F-(16-64)P Nitric acid,  
 Q21F-(16-64)R Acetic acid



### 主要零件材料 Materials of main parts

零件名称 Parts name	Q21F-(16-64)C	Q21F-(16-64)P	Q21F-(16-64)R
阀体 Body	WCB	ZG1Cr18Ni9Ti CF8	ZG1Cr18Ni12Mo2Ti CF8M
阀盖 Bonnet	WCB	ZG1Cr18Ni9Ti CF8	ZG1Cr18Ni12Mo2Ti CF8M
球体 Ball	1Cr18Ni9Ti 304	1Cr18Ni9Ti 304	1Cr18Ni12Mo2Ti 316
阀杆 Stem	1Cr18Ni9Ti 304	1Cr18Ni9Ti 304	1Cr18Ni12Mo2Ti 316
阀座 Sealing	聚四氟乙烯 Polytetrafluorethylene (PTFE)		
填料 Packing	聚四氟乙烯 Polytetrafluorethylene (PTFE)		

### 主要外形尺寸 Main outer size Q21F-(16-64)C、P、R

DN	d	L	M	E	ø	H	W
8	8	85	20X1.5	15	22	40	105
10	8	85	24X1.5	16	26.5	42	105
15	10.5	85	30X2	18	31	45	110
20	13	90	36X2	18	37	48	110
25	17	100	42X2	20	43	43	110
32	22	120	52X2	20	53	64	135
40	26	135	60X3	25	62	75	160
50	32	140	72X3	25	73	79	170

## 碳钢六角球阀

Carbon Steel Hexagonal Ball Valve

(WCB, CF8, CF8M, Ti, Ni)

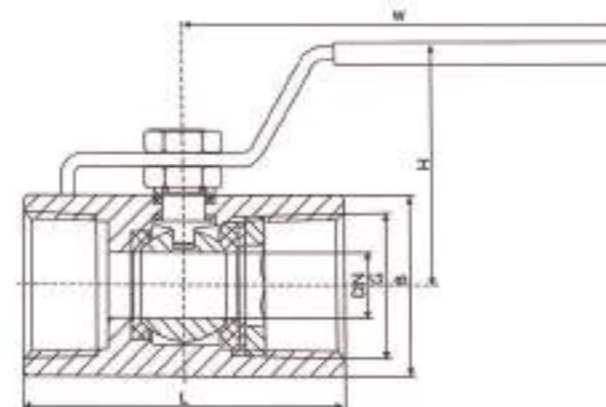


### 性能规范

①公称压力: PN1.6, 2.5, 4.0, 6.4MPa  
 强度试验压力: PT2.4, 3.8, 6.0, 9.6MPa  
 低压气密封试验压力: 0.6MPa  
 适用介质: Q21F-(16-64)C 水、油品、气  
 适用温度: -29~180°C  
 适用介质: Q11F-(16-64)P 硝酸类,  
 Q11F-(16-64)R 醋酸类  
 适用温度: -40~180°C

### Specifications

Nominal pressure: PN1.6, 2.5, 4.0, 6.4MPa  
 Strength testing pressure: PT2.4, 3.8, 6.0, 9.6MPa  
 Seat testing pressure (low pressure): 0.6MPa  
 Applicable media: Q21F-(16-64)C Water, oil, gas  
 Applicable temperature: -29~180°C  
 Applicable media: Q11F-(16-64)P Nitric acid,  
 Q11F-(16-64)R Acetic acid  
 Applicable temperature: -40~180°C



### ①(1000WOG)主要外形尺寸 Main outer size

DN	G	d	L	ø	E	H	W
8	1/4"	5	48	20	11.5	32	64
10	3/8"	8	55	26.5	11.5	42	85
15	1/2"	10.5	60	32	14	45	95
20	3/4"	13	65	38	15	48	110
25	1"	17	73	44	15	53	110
32	1 1/4"	22	88.5	53	18	64	140
40	1 1/4"	25	95	61	19	75	140
50	2"	32	108	73.5	19	79	155
65	2 1/2"	40	132	88.5	23	90	180
80	3"	50	150	105	27	100	220
100	4"	64	188	135	29	115	220

### ②(2000WOG)主要外形尺寸 Main outer size

Nominal size	H	L	d	B	W
1/4"	35	43	5	21	80
3/8"	35	47	7	25	85
1/2"	40	62	9	30	85
3/4"	48	70	12	36	90
1"	54	86	15	46	100
1 1/4"	60	94	20	55	110
1 1/4"	72	101	25	60	130
2"	80	114	32	75	145

②适用介质: Q11F-(16-64)C 水、油品、气  
 适用温度: -29~180°C  
 适用介质: Q11F-(16-64)P 硝酸类,  
 Q11F-(16-64)R 醋酸类

Applicable media: Q11F-(16-64)C Water, oil, gas  
 Applicable temperature: -29~180°C  
 Applicable media: Q11F-(16-64)P Nitric acid,  
 Q11F-(16-64)R Acetic acid

## 船用阀/罐底放料阀

Marine Valve/Tank Bottom Discharge Valve

(WCB, CF8, CF8M, Ti, Ni)



## 迷你球阀

Mini Ball Valve

(WCB, CF8, CF8M, Ti, Ni)



### 性能规范

公称压力: PN1.6, 2.5, 4.0, 6.4MPa  
 强度试验压力: PT2.4, 3.8, 6.0, 9.6MPa  
 低压气密封试验压力: 0.6MPa  
 适用介质: 水、油品、气  
 适用温度: -29~180°C  
 适用介质: 硝酸类, 醋酸类

### Specifications

Nominal pressure: PN1.6, 2.5, 4.0, 6.4MPa  
 Strength testing pressure: PT2.4, 3.8, 6.0, 9.6MPa  
 Seat testing pressure (low pressure): 0.6MPa  
 Applicable media: Water, oil, gas  
 Applicable temperature: -29~180°C  
 Applicable media: Nitric acid, Acetic acid

### 主要零件材料 Materials of main parts

零件名称 Parts name	C	P	R
阀体 Body	WCB	ZG1Cr18Ni9Ti CF8	ZG1Cr18Ni12Mo2Ti CF8M
阀盖 Bonnet	WCB	ZG1Cr18Ni9Ti CF8	ZG1Cr18Ni12Mo2Ti CF8M
球体 Ball	1Cr18Ni9Ti 304	1Cr18Ni9Ti 304	1Cr18Ni12Mo2Ti 316
阀杆 Stem	1Cr18Ni9Ti 304	1Cr18Ni9Ti 304	1Cr18Ni12Mo2Ti 316
阀座 Sealing	聚四氟乙烯 Polytetrafluorethylene (PTFE)		
填料 Packing	聚四氟乙烯 Polytetrafluorethylene (PTFE)		

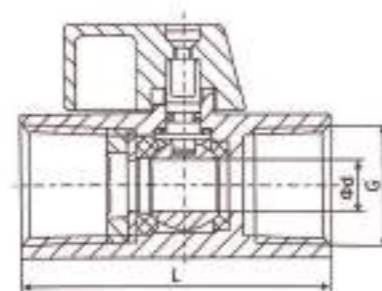


### 技术规范

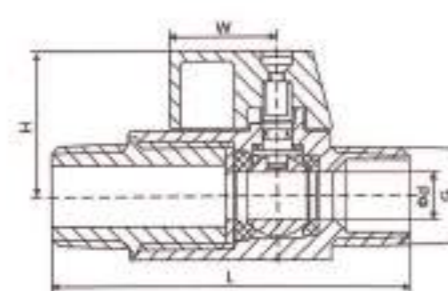
设计标准: ASME B16.34  
 连接标准: ASME B12.01(NPT),  
 DIN2999&BS21,  
 ISO228/1&ISO7/1  
 试验与检验: API 598

### Technical Specification

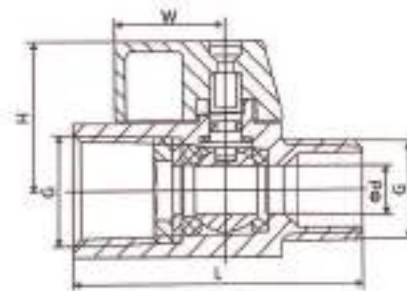
Design Standard: ASME B16.34  
 Connection Standard: ASME B12.01(NPT),  
 DIN2999&BS21,  
 ISO228/1&ISO7/1  
 Test and Inspection: API 598



内螺



外螺



内外螺

### 主要零件材料 Materials of main parts

内外螺 DN (mm)	G	d	L	H	W
8	1/4"	5	42	25	21
10	3/8"	7	45	27	21
15	1/2"	9	55	28.5	21
20	3/4"	12	56	33	22
25	1"	15	66	35.5	22

### 主要零件材料 Materials of main parts

材料名称 Material name	不锈钢 Stainless steel		锻钢 Forged steel	
阀体 Body	A351 CF8	A351 CF8M	F304	F316
球体 Ball	A276 304/A276 316			
阀杆 Stem	2Cr13/A276 304/A276 316			
阀座 Seat	PTFE, RPTFE			

如果您需要标准数据请与本公司联系 If you need other standard specification, please contact us.

## 不锈钢内螺纹闸阀

Stainless Steel Internal Thread Gate Valve

(WCB, CF8, CF8M, Ti, Ni)



### 性能规范

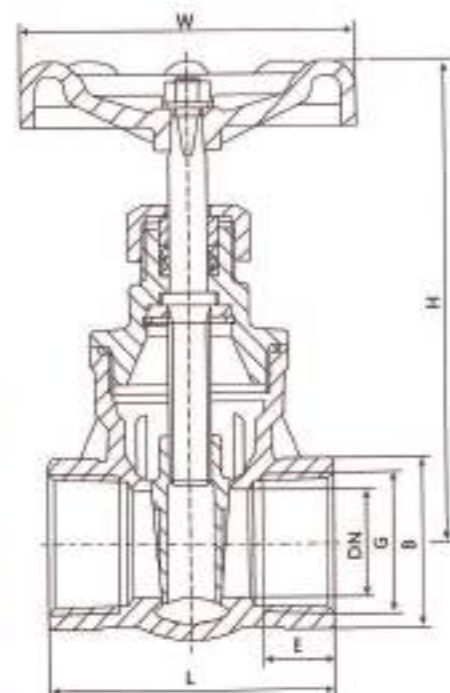
公称压力: PN1.6, 2.5, 4.0, 6.4MPa  
 强度试验压力: PT2.4, 3.8, 6.0, 9.6MPa  
 高压密封试验压力: 1.8, 2.8, 4.4, 7.1MPa  
 适用介质: Z15H-(16-64)C 水、油品、气  
 适用温度: -29~180°C  
 适用介质: Z15W-(16-64)P 硝酸类  
 Z15W-(16-64)R 醋酸类

### Specifications

Nominal pressure: PN1.6, 2.5, 4.0, 6.4MPa  
 Strength testing pressure: PT2.4, 3.8, 6.0, 9.6MPa  
 Seat testing pressure (low pressure): 1.8, 2.8, 4.4, 7.1MPa  
 Applicable media: Z15H-(16-64)C Water, oil, gas  
 Applicable temperature: -29~180°C  
 Applicable media: Z15W-(16-64)P Nitric acid,  
 Z15W-(16-64)R Acetic acid

### 主要零件材料 Materials of main parts

零件名称 Parts name	Z15H-(16-64)C	Z15W-(16-64)P	Z15W-(16-64)R
阀体 Body	WCB	ZG1Cr18Ni9Ti CF8	ZG1Cr18Ni12Mo2Ti CF8M
阀板 Disc	WCB	ZG1Cr18Ni9Ti CF8	ZG1Cr18Ni12Mo2Ti CF8M
阀杆 Stem	1Cr18Ni9Ti 304	1Cr18Ni9Ti 304	1Cr18Ni12Mo2Ti 316
密封 Sealing	304, 316		
填料 Packing	聚四氟乙烯 Polytetrafluorethylene (PTFE)		



### 主要外形尺寸 Main outer size

DN	G	L	E	B	H	W
15	1/2"	55	16	31	90	70
20	3/4"	60	18	38	98	70
25	1"	68	20	46	108	70
32	1 1/4"	76	21.5	56	128	80
40	1 1/2"	80	23	63	152	100
50	2"	93	24.5	76	166	100
65	2 1/2"	117	28	84	213	115
80	3"	130	32	98	232	115

## 美式内螺纹截止阀

ANSI/ASME Internal Thread Globe Valve

(WCB, CF8, CF8M, Ti, Ni)



### 性能规范

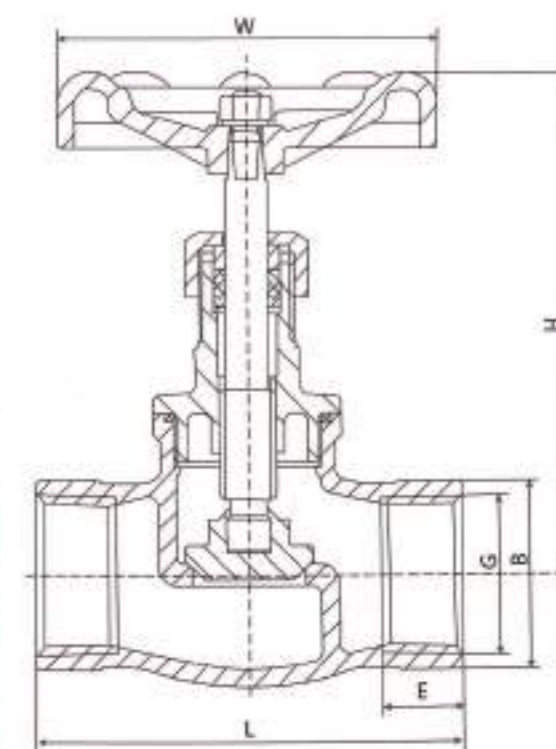
公称压力: PN1.6, 2.5, 4.0, 6.4MPa  
 强度试验压力: PT2.4, 3.8, 6.0, 9.6MPa  
 高压密封试验压力: 1.8, 2.8, 4.4, 7.1MPa  
 适用介质: J11H-(16-64)C 水、油品、气  
 适用温度: -29~180°C  
 适用介质: J11W-(16-64)P 硝酸类  
 J11W-(16-64)R 醋酸类

### Specifications

Nominal pressure: PN1.6, 2.5, 4.0, 6.4MPa  
 Strength testing pressure: PT2.4, 3.8, 6.0, 9.6MPa  
 Seat testing pressure (low pressure): 1.8, 2.8, 4.4, 7.1MPa  
 Applicable media: J11H-(16-64)C Water, oil, gas  
 Applicable temperature: -29~180°C  
 Applicable media: J11W-(16-64)P Nitric acid,  
 J11W-(16-64)R Acetic acid

### 主要零件材料 Materials of main parts

零件名称 Parts name	J11H-(16-64)C	J11W-(16-64)P	J11W-(16-64)R
阀体 Body	WCB	ZG1Cr18Ni9Ti CF8	ZG1Cr18Ni12Mo2Ti CF8M
阀盖 Bonnet	WCB	ZG1Cr18Ni9Ti CF8	ZG1Cr18Ni12Mo2Ti CF8M
阀瓣 Disc	ZG1Cr18Ni9Ti CF8	ZG1Cr18Ni9Ti CF8	ZG1Cr18Ni12Mo2Ti CF8M
阀杆 Stem	1Cr18Ni9Ti 304	1Cr18Ni9Ti 304	1Cr18Ni12Mo2Ti 316
密封 Sealing	304, 316		
填料 Packing	聚四氟乙烯 Polytetrafluorethylene (PTFE)		



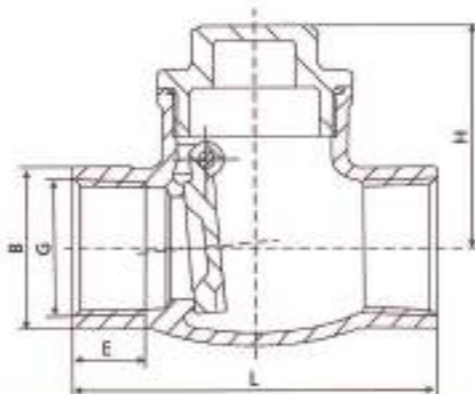
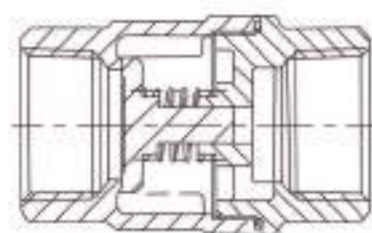
### 主要外形尺寸 Main outer size

DN	G	L	E	B	H	W
8	1/4"	65	15	23	80	70
10	3/8"	65	15	26	80	70
15	1/2"	65	16	31	88	70
20	3/4"	75	18	38	95	70
25	1"	90	20	46	110	80
32	1 1/4"	105	21.5	56	123	100
40	1 1/2"	120	23	63	135	100
50	2"	140	24.5	76	150	100
65	2 1/2"	152	27	89	190	120
80	3"	175	30	104	210	140

## 内螺纹止回阀

Internal Thread  
Check Valve

( WCB , CF8 , CF8M,Ti,Ni )



### 性能规范

公称压力: PN1.6,2.5,4.0,6.4MPa  
强度试验压力: PT2.4,3.8,6.0,9.6MPa  
高压密封试验压力: 1.8,2.8,4.4,7.1MPa  
适用介质: H(14/12)H-(16-64)C 水、油品、气  
适用温度: -29~180°C  
适用介质: H(14/12)W-(16-64)P 硝酸类  
H(14/12)W-(16-64)R 醋酸类

### Specifications

Nominal pressure: PN1.6,2.5,4.0,6.4MPa  
Strength testing pressure: PT2.4,3.8,6.0,9.6MPa  
Seat testing pressure(low pressure): 1.8,2.8,4.4,7.1MPa  
Applicable media: H(14/12)H-(16-64)C Water, oil, gas  
Applicable temperature: -29~180°C  
Applicable media: H(14/12)W-(16-64)P Nitric acid,  
H(14/12)W-(16-64)R Acetic acid

### 主要零件材料 Materials of main parts

零件名称 Parts name	H <sup>14</sup> / <sub>12</sub> H-(16-64)C	H <sup>24</sup> / <sub>12</sub> H-(16-64)P	H <sup>14</sup> / <sub>12</sub> H-(16-64)R
阀体 Body	WCB	ZG1Cr18Ni9Ti CF8	ZG1Cr18Ni12Mo2Ti CF8M
阀盖 Bonnet	WCB	ZG1Cr18Ni9Ti CF8	ZG1Cr18Ni12Mo2Ti CF8M
阀瓣 Disc	ZG1Cr18Ni9Ti CF8	ZG1Cr18Ni9Ti CF8	ZG1Cr18Ni12Mo2Ti CF8M
密封 Sealing	304,316,PTFE		
填料 Packing	聚四氟乙烯 Polytetrafluorethylene(PTFE)		

### 主要外形尺寸 Main outer size(H14W)

DN	G	L	E	B	H
8	1/4"	65	10	24	42
10	3/8"	65	10	24	42
15	1/2"	65	12	26	42
20	3/4"	75	17	32	46
25	1"	90	20	41	54
32	1 1/4"	105	20	49	58
40	1 1/2"	120	20	56	66
50	2"	140	23	69	74
65	2 1/2"	165	27	86	89
80	3"	165	30	98	102

## 对夹式止回阀

Wafer Check Valve

( WCB , CF8 , CF8M,Ti,Ni )



### 性能规范

公称压力: PN1.6,2.5,4.0,6.4MPa  
强度试验压力: PT2.4,3.8,6.0,9.6MPa  
高压密封试验压力: 1.8,2.8,4.4,7.1MPa  
适用介质: H(71/74/76)H-(16-64)C 水、油品、气  
适用温度: -29~180°C  
适用介质: H(71/74/76)H-(16-64)P 硝酸类  
H(71/74/76)H-(16-64)R 醋酸类

### Specifications

Nominal pressure: PN1.6,2.5,4.0,6.4MPa  
Strength testing pressure: PT2.4,3.8,6.0,9.6MPa  
Seat testing pressure(low pressure): 1.8,2.8,4.4,7.1MPa  
Applicable media: H(71/74/76)H-(16-64)C Water, oil, gas  
Applicable temperature: -29~180°C  
Applicable media: H(71/74/76)H-(16-64)P Nitric acid,  
H(71/74/76)H-(16-64)R Acetic acid

### 主要零件材料 Materials of main parts

零件名称 Parts name	H <sup>74</sup> / <sub>74</sub> W-(16-64)C	H <sup>74</sup> / <sub>76</sub> W-(16-64)P	H <sup>74</sup> / <sub>76</sub> W-(16-64)R
阀体 Body	WCB	ZG1Cr18Ni9Ti CF8	ZG1Cr18Ni12Mo2Ti CF8M
阀瓣 Disc	ZG1Cr18Ni9Ti CF8	ZG1Cr18Ni9Ti CF8	ZG1Cr18Ni12Mo2Ti CF8M
密封 Sealing	304,316,PTFE		

## Y型内螺纹过滤器

Y Type Internal Thread Filter

(WCB, CF8, CF8M, Ti, Ni)



### 性能规范

公称压力: PN1.6, 2.5, 4.0, 6.4MPa

强度试验压力: PT2.4, 3.8, 6.0, 9.6MPa

适用介质: SY11-(16-64)C 水、油品、气

适用温度: -29-180°C

适用介质: SY11-(16-64)P 硝酸类, SY11-(16-64)R 醋酸类

### Specifications

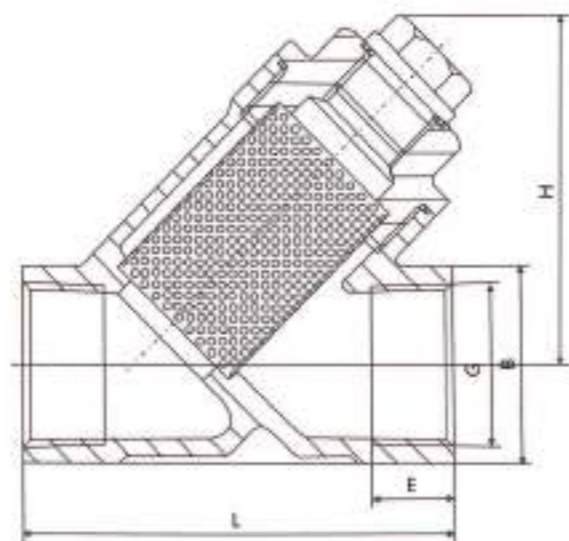
Nominal pressure: PN1.6, 2.5, 4.0, 6.4MPa

Strength testing pressure: PT2.4, 3.8, 6.0, 9.6MPa

Applicable media: SY11-(16-64)C Water, oil, gas

Applicable temperature: -29-180°C

Applicable media: SY11-(16-64)P Nitric acid, SY11-(16-64)R Acetic acid



### 主要零件材料 Materials of main parts

零件名称 Parts name	SY11-(16-64)C	SY11-(16-64)P	SY11-(16-64)R
阀体 Body	WCB	ZG1Cr18Ni9Ti CF8	ZG1Cr18Ni12Mo2Ti CF8M
阀盖 Bonnet	WCB	ZG1Cr18Ni9Ti CF8	ZG1Cr18Ni12Mo2Ti CF8M
过滤网 Mesh	1Cr18Ni9Ti 304	1Cr18Ni9Ti 304	ZG1Cr18Ni12Mo2Ti 316
垫片 Gasket	聚四氟乙烯 Polytetrafluorethylene (PTFE)		

### 主要外形尺寸 Main outer size(H14W)

DN	G	L	E	B	H
8	1/4"	64	12	24	44
10	3/8"	64	12	24	44
15	1/2"	64	14	26	44
20	3/4"	75	15	32	52
25	1"	89	17	41	64
32	1 1/4"	102	20	49	68
40	1 1/2"	118	20	56	76
50	2"	139	22	69	88
65	2 1/2"	180	28	84	110
80	3"	200	32	98	135

## 质量保证承诺

- 1、公司生产的各类阀门严格照国标GB、美标ANSI、API、日标JIS、英标BS、德标DIN等标准设计制造。
- 2、主体材质化学成份和力学性能达到国家规定标准要求。
- 3、阀门承压件每台都进行无损探伤，保证符合JB/T6440X射线检验标准、JB/6439磁粉探伤和JB/T6903超声波检验标准。
- 4、阀杆材质化学成份达到国家规定标准要求，光洁度达到国家标准要求，表面经抗蚀性氮化或调质处理，保证阀杆力学性能。
- 5、尺寸公差符合国家GB1800-1804S标准要求，零部件采用数控机床加工并通配互换。
- 6、硬密封采用堆焊，硬度达到国家GB/T12234-12236标准要求，宽度要求达到或超过国家标准，阀门密封面都经过着色探伤检验，符合JB/T6902标准要求。
- 7、整机装配前用煤油和防锈油经高压喷射清洗，试压后清除试验介质，喷上防锈油，内腔清洁度达到JB/T7748标准要求，符合阀门长期储存要求。
- 8、每台阀门经过严格检验与试验，所有的检验文件随机提供。
- 9、公司如无特殊原因不能按期交货，罚违约金按订货总金额1%计算。
- 10、客户提货后在12个月内，因产品制造质量而导致密封试压不合格保证包换，包退并负责退回运费。

